

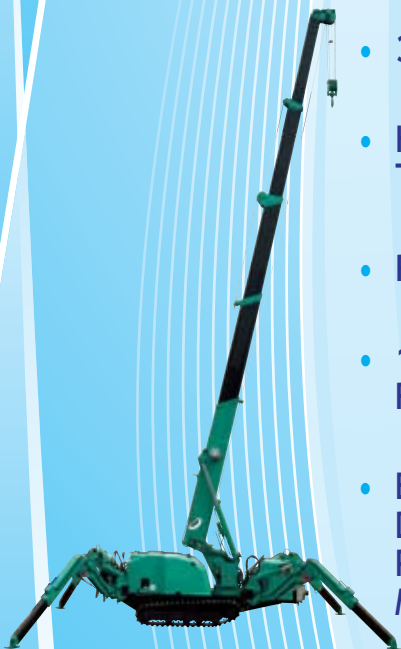


MC285-2

MINI CRAWLER CRANE



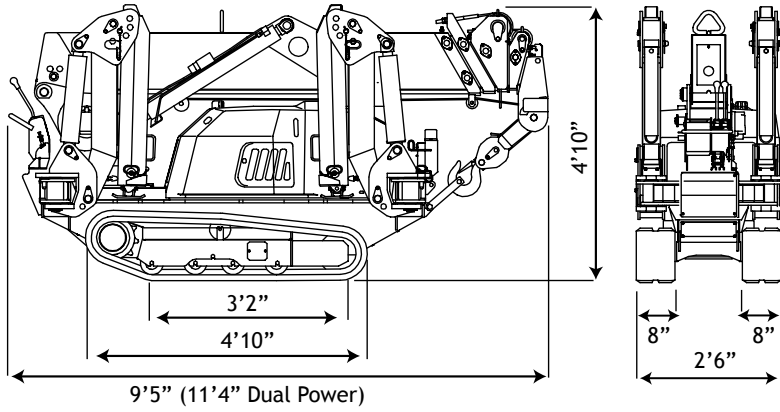
- SLIM 30" BODY
- 5 SECTION FULLY AUTOMATIC BOOM
- CONFINED AREA MULTI POSITION OUTRIGGER SYSTEM
- RUBBER TRACKS
- POWERFUL WINCH WITH HYDRAULIC DISC BRAKE
- PROGRAMMABLE CAPACITY MOMENT LIMITER
- ANTI TWO BLOCK, TILT SENSOR ALARM



- 360° SWING
- HYDROSTATIC TRANSMISSION
- REMOTE CONTROL
- 1/2/4 PARTS REEVING CAPACITY
- EPA COMPLIANT DIESEL ENGINE, DUAL POWER ELECTRIC MOTOR (optional)

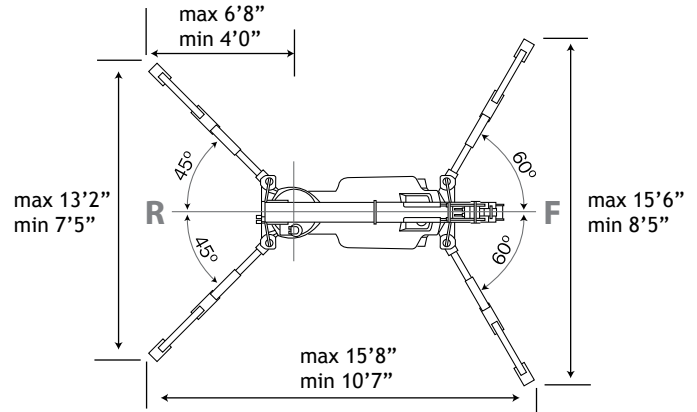
Crane Model		MC285CRM(E)-2
Maximum Capacity		6,210 lb.
Maximum Working Radius		26.9'
Maximum Lifting Height		28.54'
Hook Speed		30.5 ft./min 4 Part/4th Layer
Single Line Speed		122 ft./min 4 Part/4th Layer
Hoist Rope		IWRC 6 x Fi(29) 7mm x 158'
Boom System	Type	Fully Automatic 5 Section, Pentagonal Telescopic
	Length	8'4" - 28'1"
	Telescopic Stroke / Speed	19'10" / 22 sec
Outriggers		Each multi-position outrigger may be pinned in any of 12 different configurations. Manual extend and swing out, lower by direct acting hydraulic cylinders.
Boom Hoist	Angle / Speed	0° - 80° / 14 sec
Swing	Radius / Speed	360° / 1.0 RPM
Travel Crawler System	Drive	Hydraulic Motor, Stepless Speed Changer
	Travel Speed	0 - 1.36 mph
	Gradability	20° Design Limit 15° Set Limit
	Ground Contact	3'2" Length, 8" Wide
	Ground Pressure	7.15 PSI Diesel Model 7.73 PSI Electric Dual Power Model
Engine	Type	Yanmar 2TNV70-NMBA 4 Cycle, 2 Cylinder, Diesel, Water Cooled
	Rated Output	9.92 hp, 7.4 kw, 10.1 ps / 2500 RPM
	Fuel Tank	3.1 Gallon
Electric Motor (Dual Power)	Type	Totally Enclosed Fan Cooled Motor
	Size	5.5 kw, 4P, 230V, 3 phase, Inverter 30 hz - 60 hz
Remote Control	Standard	Cable Remote Control, Crane & Outrigger Operation, Graduated Micro Speed, Load & Rated Load LCD Display
Dimensions	Stowed LxWxH	Diesel Model L 9'5" x W 2'6" x H 4'10" Electric Dual Power L 11'4" x W 2'6" x H 4'10"
Net Weight		Diesel Model 4,322 lb. Electric Dual Power 4,675 lb.
Optional Equipment		Dual Power Electric Motor, White Rubber Tracks, Single Part Ball/Hook, Auxiliary Searcher Hook

MACHINE DIMENSIONS



OUTRIGGER DIMENSIONS

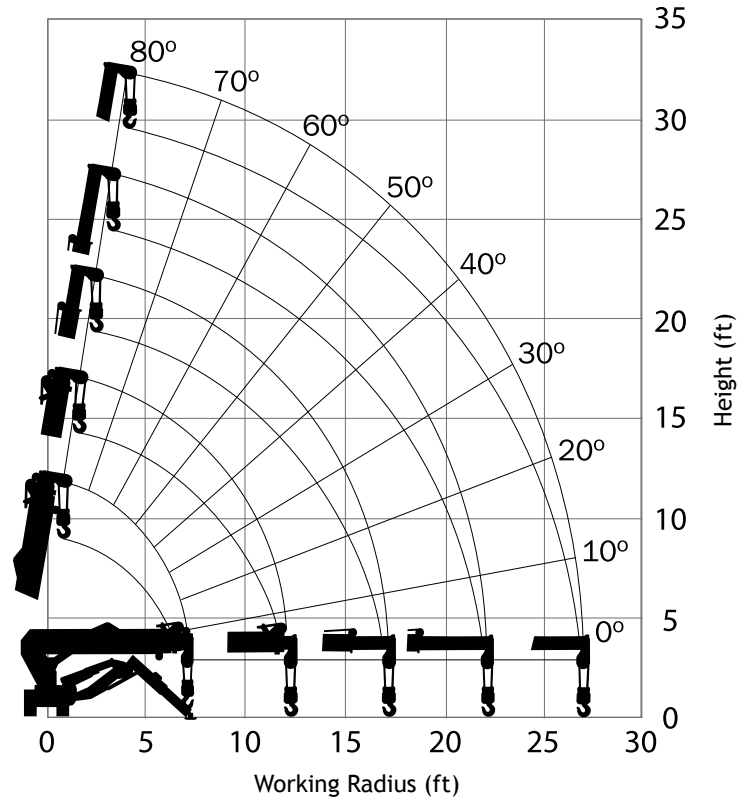
091411



RATED TOTAL LOAD - MAXIMUM Outriggers, 4 Part Line

Boom Length	8.3 Ft.	8.4 - 13.3 Ft.	13.4 - 18.2 Ft.	18.3 - 23.2 Ft.	23.3 - 28.1 Ft.
Radius (Ft.)	Load (Lbs.)	Load (Lbs.)	Load (Lbs.)	Load (Lbs.)	Load (Lbs.)
≤ 4.5	6,210	6,210	2,700		
5.0	5,490	5,490	2,700		
6.5	4,280	4,280	2,700	1,800	
7.0	4,020	4,020	2,700	1,800	1,210
8.0		3,550	2,700	1,800	1,210
10.0		2,630	2,630	1,800	1,210
12.0		2,050	2,000	1,780	1,210
13.0			1,750	1,650	1,210
15.0			1,350	1,240	860
17.0			1,160	1,010	710
18.0				950	660
20.0				820	570
21.9				730	480
25.0					380
26.9					330

WORKING RANGE



RATED TOTAL LOAD - OTHER THAN MAXIMUM Outriggers, 4 Part Line

Boom Length	8.3 Ft.	8.4 - 13.3 Ft.	13.4 - 18.2 Ft.	18.3 - 23.2 Ft.	23.3 - 28.1 Ft.
Radius (Ft.)	Load (Lbs.)	Load (Lbs.)	Load (Lbs.)	Load (Lbs.)	Load (Lbs.)
≤ 4.5	3,790	3,790	1,100		
5.0	3,720	3,720	1,100		
6.5	2,410	2,410	1,100	900	
7.0	2,100	2,100	1,100	900	720
8.0		1,500	1,100	900	720
10.0		1,110	1,100	900	720
12.0		790	850	860	720
13.0			750	750	720
15.0			590	600	600
17.0			440	450	450
18.0				400	400
20.0				340	340
21.9				260	260
25.0					170
26.9					130

Reach Below Grade

Four Part	33' max.
Two Part	66' max.
One Part	132' max.



The Rated Total Load is based on the actual working radius including boom deflection. Due to wire rope strength and other limitations, when using two part or single part hooks use the appropriate four part Rated Total Load Chart above but with maximum load of:

Two Part - 3,100 lb. Single Part - 1,560 lb.

The Rated Total Load Chart is supplied for reference only. Operator and all personnel must refer to the actual crane Rated Total Load Chart to determine allowable machine lifting and operating procedures. We are constantly improving our products and reserve the right to change design and specifications at any time. ASME B 30.5 2004. ISO 9001 compliant

Tel: (713) 715-1500
Email: cranes@maedausa.com
www.maedausa.com

MAEDA  USA

USA - CANADA
LATIN AMERICA