



**Max. lifting capacities**

PK 4501 Performance			
hydraulic			
Max. lifting capacities		2830 kg	6240 lbs
Outreach		Capacity	
3.6 m	11' 10"	1130 kg	2490 lbs
5.1 m	16' 9"	780 kg	1720 lbs

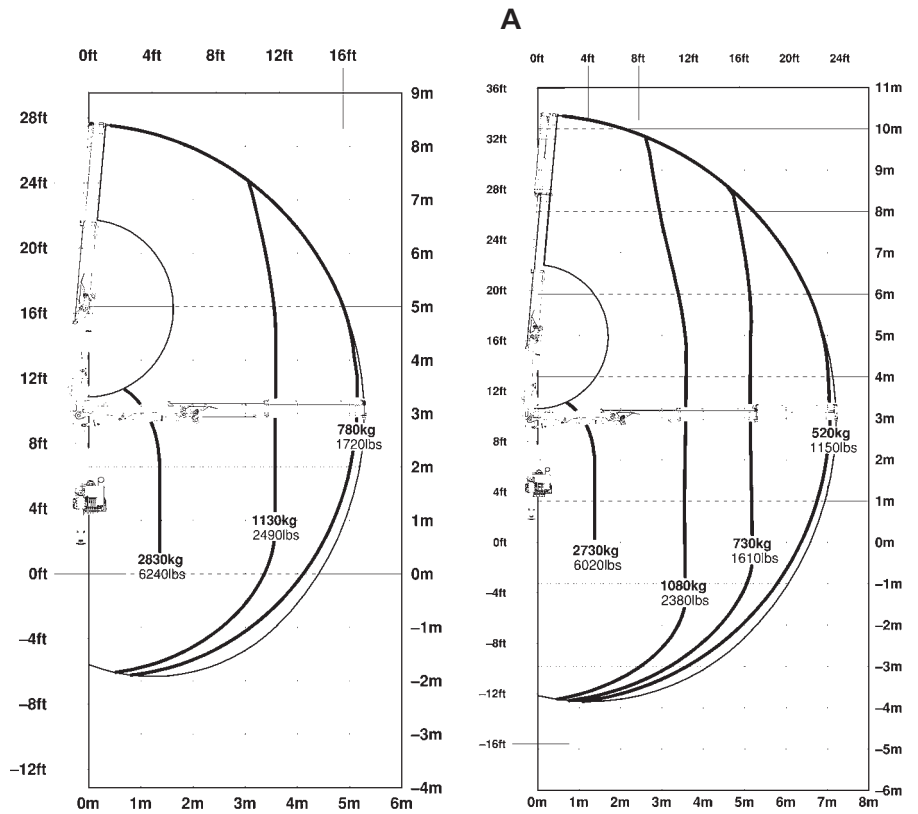
PK 4501 Performance A			
hydraulic			
Max. lifting capacities		2730 kg	6020 lbs
Outreach		Capacity	
3.6 m	11' 10"	1080 kg	2380 lbs
5.1 m	16' 9"	730 kg	1610 lbs
7.1 m	23' 4"	520 kg	1150 lbs

PK 4501 Performance B			
hydraulic			
Max. lifting capacities		2650 kg	5840 lbs
Outreach		Capacity	
3.6 m	11' 10"	1040 kg	2290 lbs
5.1 m	16' 9"	680 kg	1500 lbs
7.1 m	23' 4"	470 kg	1040 lbs
9.0 m	29' 6"	360 kg	790 lbs
manual			
11.0 m	36' 1"	270 kg	600 lbs
12.6 m	41' 4"	220 kg	490 lbs

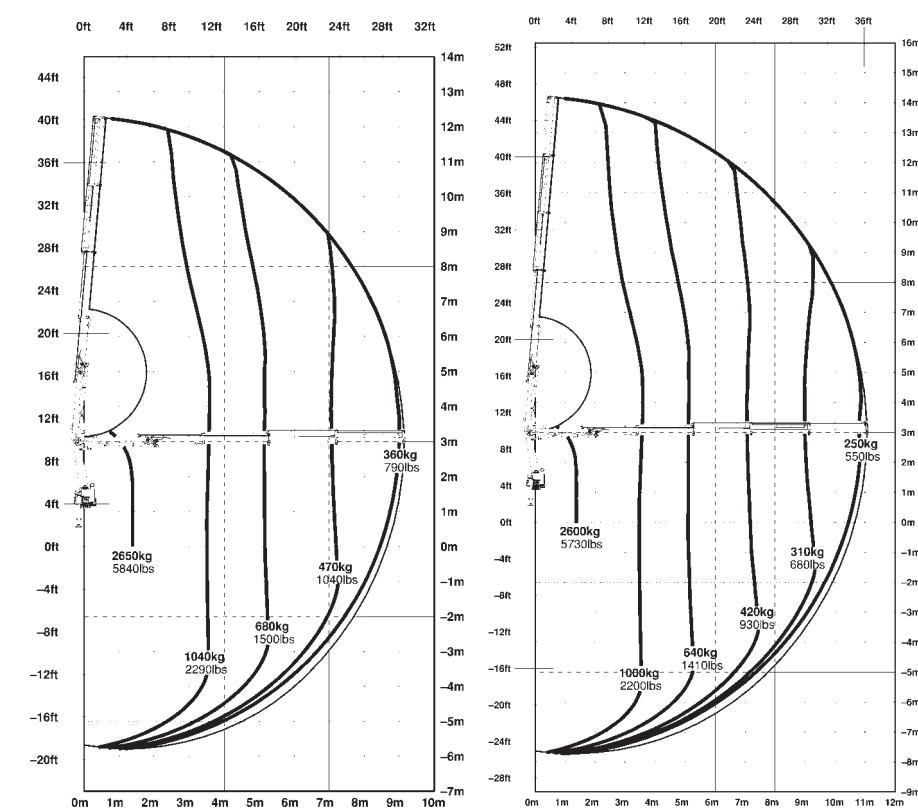
PK 4501 Performance C			
hydraulic			
Max. lifting capacities		2600 kg	5730 lbs
Outreach		Capacity	
3.6 m	11' 10"	1000 kg	2200 lbs
5.1 m	16' 9"	640 kg	1410 lbs
7.1 m	23' 4"	420 kg	930 lbs
9.0 m	29' 6"	310 kg	680 lbs
10.9 m	35' 9"	250 kg	550 lbs
manual			
12.5 m	41' 0"	200 kg	440 lbs

The outreaches stated are with a boom angle of 20° and are therefore not the maximum.

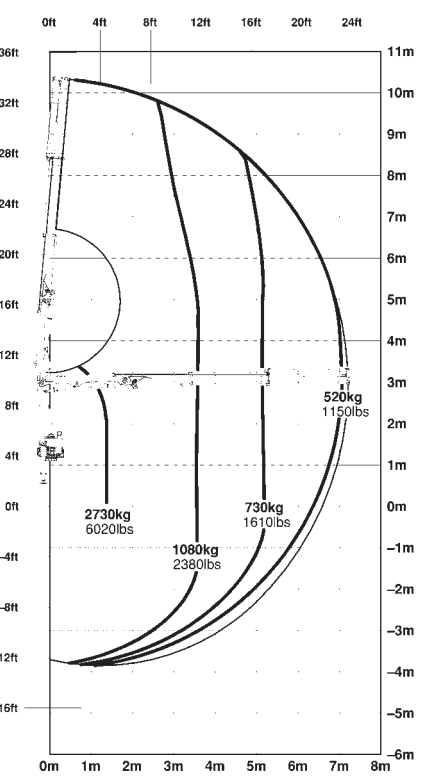
**PK 4501 Performance**



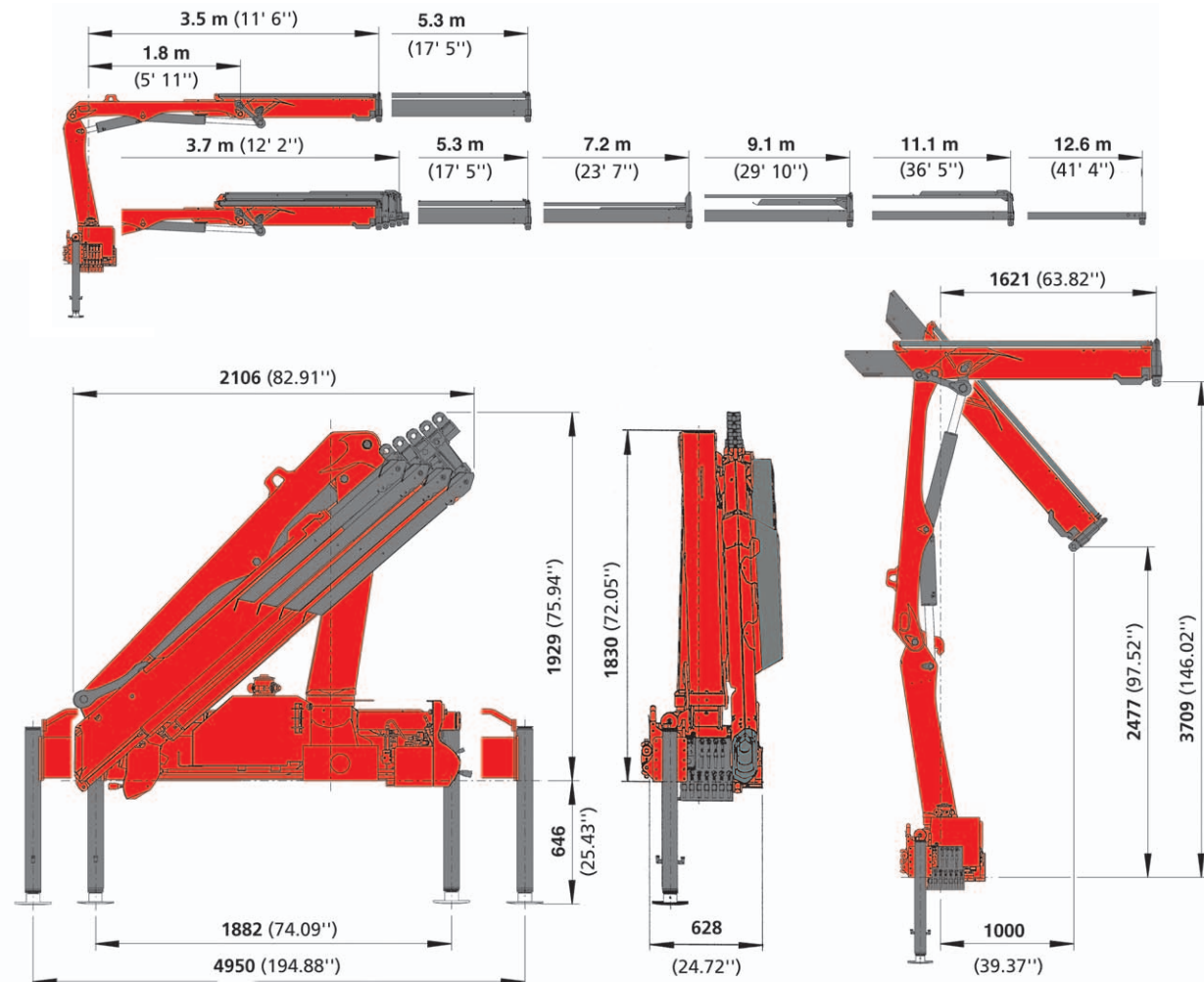
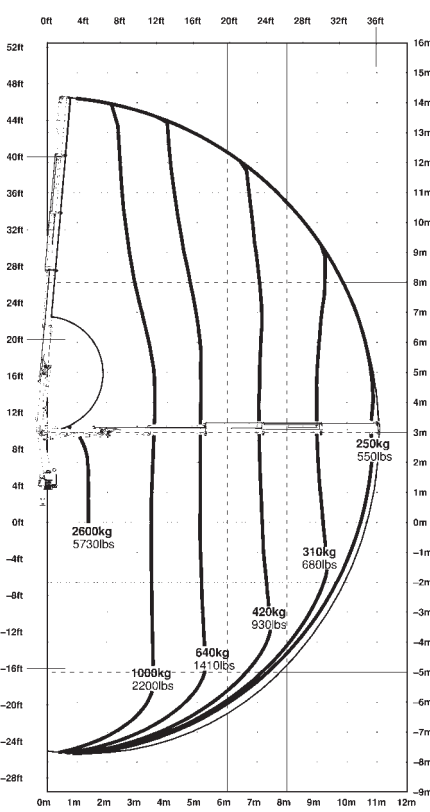
**B**



**A**



**C**



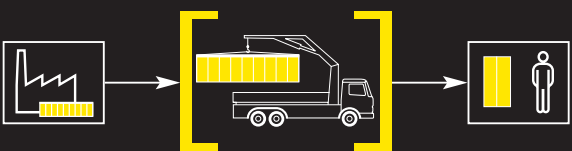
PK 4501 Performance	
Technical Specifications (DIN 15018 H1-B3)	
Max. lifting moment	4.1 mt/40.0 kNm 29490 ft.lbs
Max. lifting capacity	2830 kg/27.8 kN 6240 lbs
Max. hydraulic outreach	11.1 m 36' 5"
Max. manual outreach	12.7 m 41' 8"
Slewing angle	400°

PK 4501 Performance		
Standard crane		
Slewing torque	0.5 mt/5,2 kNm	3830 ft.lbs
Outreach	5.3 m	17' 5"
Stabilizer spread standard	2.9 m	9' 6"
Stabilizer spread max.	5.0 m	16' 3"
Fitting space required	0.63 m	2' 1"
Width folded	2.1 m	6' 11"
Max. operating pressure	300 bar	4350 psi
Recommended pump capacity	from 3.3 imp.gal./min	4.0 US gal./min
	to 5.5 imp.gal./min	6.6 US gal./min
	8.8 imp.gal./min	10.6 US gal./min
with radio remote control and LS-System		
Dead weight standard crane	659 kg	1450 lbs

Applications shown in the leaflet do not always correspond to the standard specifications. Design and specification are subject to change without prior notice. Country-specific regulations must be considered for the crane installation.

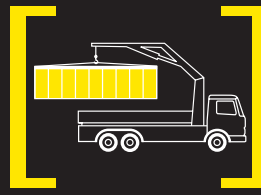


**THE IDEAL CRANE FOR YOUR SMALL TRUCK**



## LONGEST HYDRAULIC OUTREACH IN ITS CLASS

With 11.1 metres the PK 4501 *Performance* offers the longest hydraulic outreach in the 4-metre-tonne class. Thanks to its low dead weight and its operating versatility the PK 4501 *Performance* is the ideal crane for your small truck. Its optimal lifting moment – dead weight ratio ensures maximum payload. Its stability is also impressive: The new hexagonal profile boom system increases its rigidity.



The PK 4501 *Performance* already meets the requirements of the new EN 12999 crane standard which will be coming into force in the near future.

## DETAILS WHICH IMPRESS

### Load-holding valves

They prevent the crane boom from dropping and are fitted as standard on all cylinders. The valves are positioned in way that protects them from damage.



### Electronically assured safety

The optional PALTRONIC 50 electronic control system is a real advance in safety and convenience.

### Hydraulic overload safety device

Also available as an option is the hydraulic overload safety device. In the event of overloading it immediately blocks any movements which would increase the load moment.

### Central lubrication

For all bearings in the base frame

### Ergonomic crane control

The operating levers for all crane functions are arranged ergonomically on the console. This facilitates comfortable, efficient working. The control console is mounted so that it is easy to service.

### Radio control

The optional PALFINGER radio control system with digital data transmission ensures maximum safety and convenience. The display which is integrated in the control console informs the crane operator continuously about the current capacity status of the crane.

In combination with the PALFINGER radio control system, the load sensing proportional valve enables the crane to be adjusted with great sensitivity.



## FOR SAFETY AND COMFORT WHILE WORKING

### Hose equipment for accessories

This option provides the oil supply for accessories. The hoses are routed in compact hose troughs and are therefore well protected.

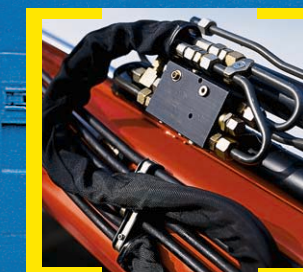


### Internally routed oil passages

The internally routed oil passages make it possible to have a compact design for the extension system and ensure perfect protection from damage.

### Return oil utilisation

The high speed of the extension system is impressive. It results from return oil utilization feature, which is installed as standard, and the generously dimensioned hydraulic pipes. This makes for increased efficiency during all types of working!



### Extension system

- The extension cylinders are guided by using Jordal rails and rollers.
- Optimal height compensation of the extension cylinders.



### Large outrigger widths

The PK 4501 *Performance* fits on all standard truck chassis. Three stabiliser spreads are possible: 3.0 m (mechanical), 4.4 m (mechanical) and 5.0 m (hydraulic).

