

TRANSPORTATION SPECS - Boom Trucks

MANITOWOC MODEL 2892C - 28 TON CAPACITY

COMPONENT WEIGHTS

	<u>LBS.</u>	<u>KGS.</u>
Complete Crane (Includes Ball and Jib)	40,350	18 303
Crane Only	20,462	9 282

ADDITIONAL INFORMATION

7 Ton Ball	172	78
Tele-jib (26'-46')	1,226	556
Main Load Line 9/16" x 300'	180	82
Deck Space 8'6" x 20'	1,840	835

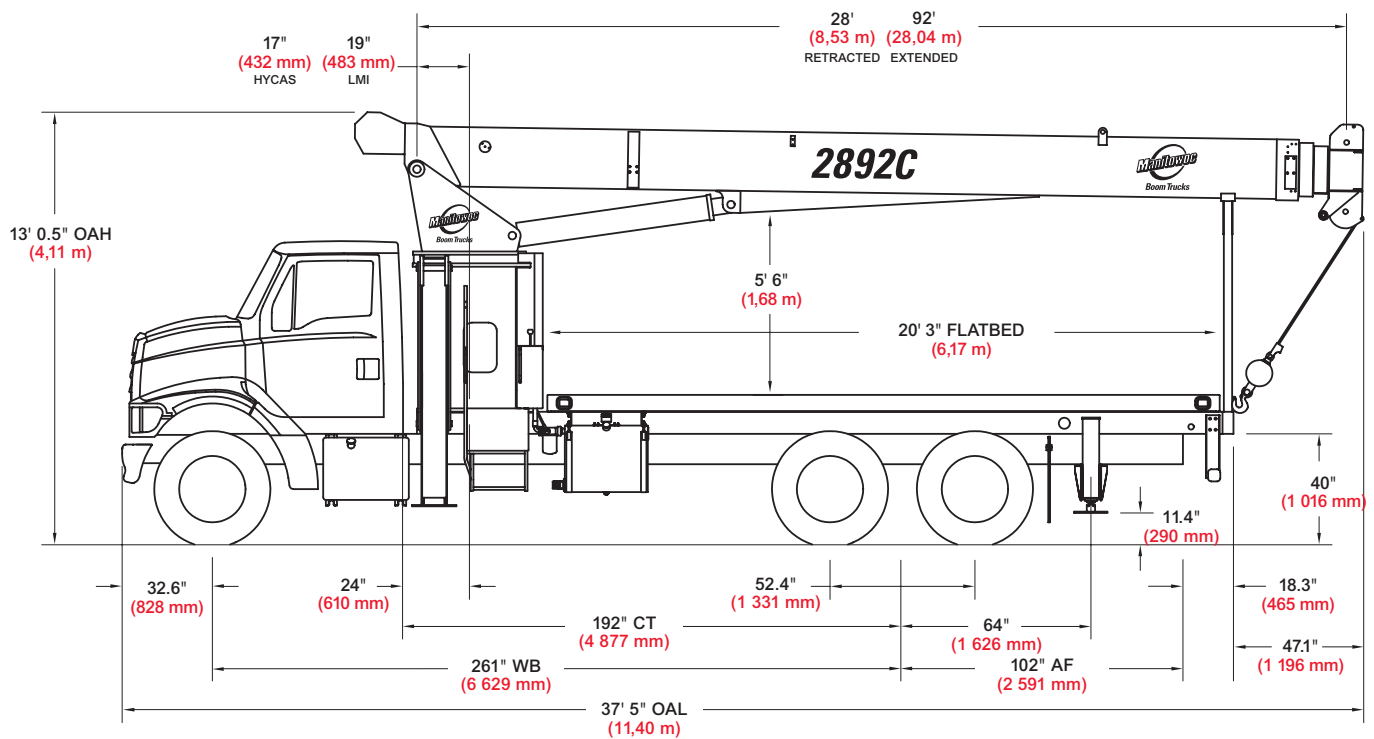
TRANSPORTATION

Average Driving Speed 80 km/hr

Alberta and B. C.

- All Season Drive

outline dimensions



Chassis Data	
Minimum Truck Requirements	2892C
Wheelbase (WB)	249" (6 325 mm)
Cab to Tandem (CT)	180" (4 527 mm)
After Frame (AF)	102" (2 591 mm)
Frame Section Modulus	20.0 in ³ 110,000 psi (758 422 kPa)
Front Axle Gross Weight Rating	16,000 lb (7 257 kg)
Rear Axle Gross Weight Rating	34,000 lb (15 422 kg)
Minimum Truck Axle Weight - Front*	8,500 lb (3 856 kg)
Minimum Truck Axle Weight - Back*	8,150 lb (3 697 kg)
Nominal Frame Width	34" (864 mm)

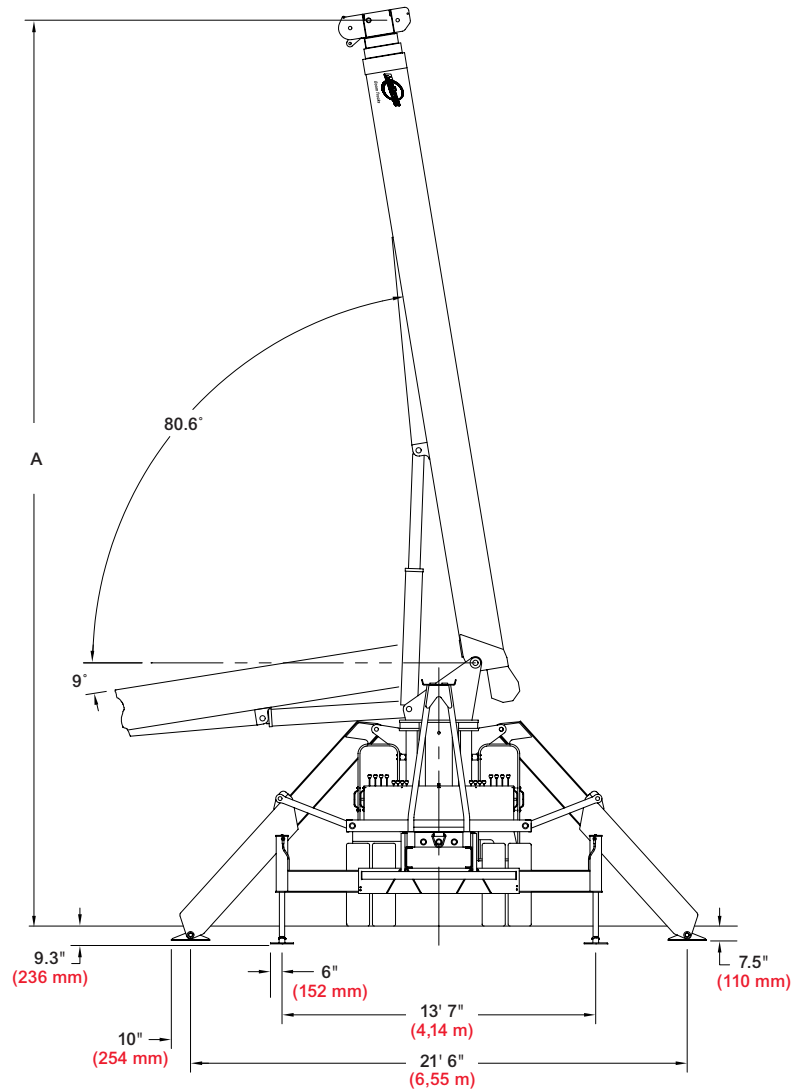
Weights	
	2892C
Total Crane - Standard	20,462 lb (9 282 kg)
Total Crane - Out-and-Down Outriggers (Out-and Down outrigger configuraton only avialable on LMI unit)	24,612 lb (11 164 kg)
20' (6,10 m) Flat Bed - Standard Outriggers	1,840 lb (835 kg)
22' (6,71 m) Flat Bed - Out-and-Down Outriggers	2,000 lb (907 kg)
26' (7,93 m) Fixed Length Jib	832 lb (377 kg)
26'-46' (7,93 m-14,02 m) Telescopic Jib	1,226 lb (556 kg)

*Minimum chassis weight is required to meet 85% stability requirements.

Chassis data is general - not for engineering. Some dimensions depend on truck selection.

- OAH Overall Height
- CT Cab to Tandem
- CA Cab to Axle
- WB Wheel Base
- OAL Overall Length
- BBC Bumper to Back of Cab
- AF Afterframe

outline dimensions



Maximum Tip Height (A)

Configuration	2892C Boom 92' (28,0 m)
Extended Boom	103' (31,4 m)
Fixed or Retracted Jib	129' 4" (39,4 m)
Extended Jib	149' (45,4 m)