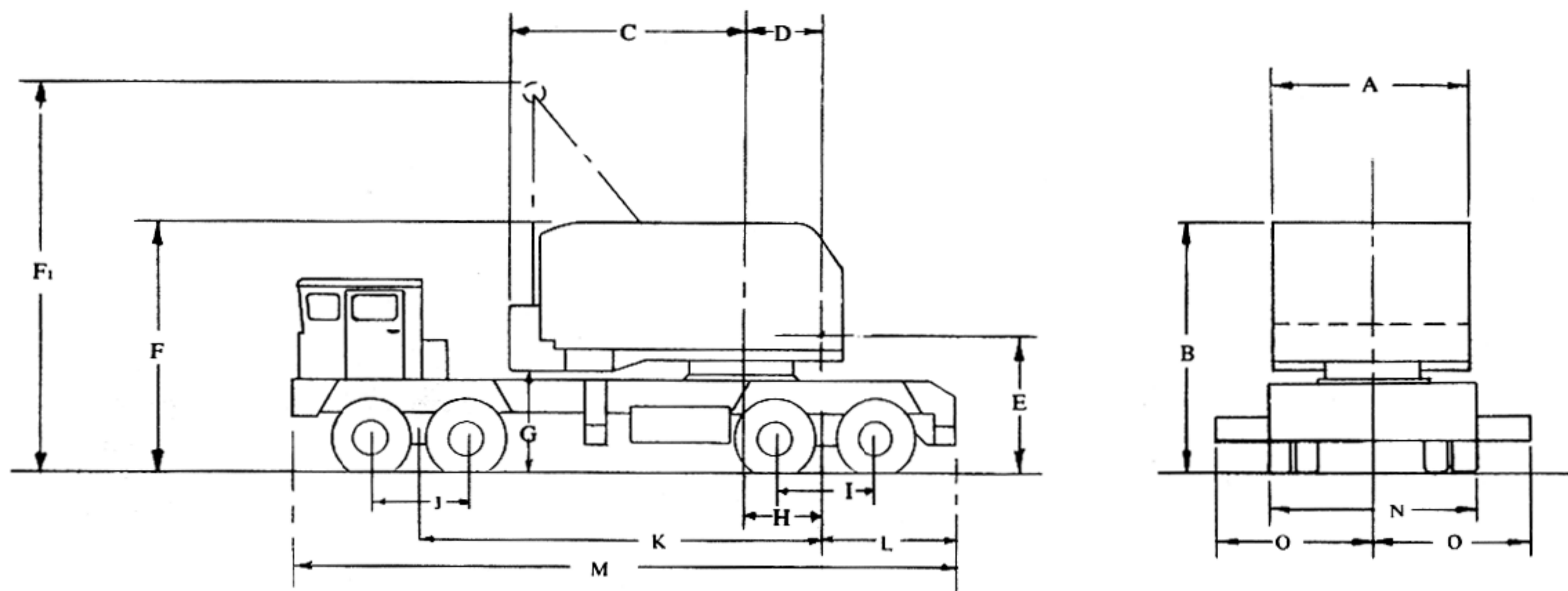


GENERAL DIMENSIONS



A.	Width of cab	9' 0"	J.	Distance between front axles	4' 6"
B.	Height to top of cab	12' 0"	K.	Centerline of rear bogie to centerline of front bogie	18' 8"
C.	Tail swing	11' 10"	L.	Centerline of rear bogie to rear outrigger	6' 4"
D.	Centerline of pivot to centerline of boom foot	3' 8"	M.	Overall length	31' 3/4"
E.	Ground to centerline of boom foot	6' 4 1/2"	N.	Overall width	10' 3"
F.	Height over A-frame (lowered)	12' 6"	N1.	Overall width with hydraulic outriggers	10' 10"
F1.	Height over A-frame (raised)	19' 1"	O.	Center of carrier to extended outrigger	9' 10"
G.	Ground to bottom counterweight	4' 6"	O1.	Outrigger Extension w/Hydraulic Outriggers	9' 6"
H.	Centerline of pivot to centerline of rear bogie	3' 10"	LH	Turning radius (over front bumper)	46' 4 1/2"
I.	Distance between rear axles	4' 10"	RH	Turning radius (over front bumper)	48' 3 1/2"
				Ground clearance	12' 3/4"

AMERICAN 47S BOOM COMPOSITION

Boom Length In Feet	20 Ft. 47S Inner	10 Ft. 47S Center	20 Ft. 47S Center	30 Ft. 47S Center	20 Ft. 47S Outer
40	1	-	-	-	1
50	1	1	-	-	1
60	1	-	1	-	1
70	1	-	-	1	1
80	1	1	-	1	1
90	1	-	1	1	1
100	1	-	-	2	1
110	1	1	-	2	1
120	1	-	1	2	1
130	1	-	-	3	1
140	1	1	-	3	1
150	1	-	1	3	1
160	1	-	-	4	1

AMERICAN 47H TUBULAR BOOM COMPOSITION

Boom Length In Feet	20 Ft. 47H Inner	10 Ft. 47H Center	20 Ft. 47H Center	30 Ft. 47H Center	20 Ft. 47H Outer
40	1	-	-	-	1
50	1	1	-	-	1
60	1	-	1	-	1
70	1	-	-	1	1
80	1	1	-	1	1
90	1	-	1	1	1
100	1	-	-	2	1
110	1	1	-	2	1
120	1	-	1	2	1
130	1	-	-	3	1
140	1	1	-	3	1
150	1	-	1	3	1
160	1	-	-	4	1

AMERICAN BOOM - SECTION WEIGHTS

Boom Sections c/w Pendants	47" S Tubular		59" S & H Tubular		77" S & H Tubular		92" HT & HD Tubular	
	LBS.	KGS.	LBS.	KGS.	LBS.	KGS.	LBS.	KGS.
Butt (Inner)	1,819	825	2,403	1 090	4,409	2 000	8,488	3 850
10 Foot	706	320	948	430	1,422	645	1,808	820
20 Foot	1,235	560	1,713	777	2,447	1 110	3,550	1 610
30 Foot	1,885	855						
40 Foot			2,921	1 325				
50 Foot					5,457	2 475	5,953	2 700
50 Foot XHD							7,297	3 310
Transition			1,433	650	2,999	1 360		
Taper Tip	2,095	950	2,205	1 000	3,417	1 550	11,133	5 050
Hammerhead			2,800	1 270	6,041	2 740		
Load Block			1,488	675 (60T)				

JIB SECTIONS		LBS.	KGS.
#7HL	30 Foot Basic Jib Assembly	1,259	570
	10' Section	199	90
	20' Section	386	175
#9HL	40 Foot Basic Jib Assembly	1,720	780
	10' Section	199	90
	20' Section	386	175
#15	30 Foot Basic Jib Assembly	1,951	885
	10' Section	298	135
#16HL	40 Foot Basic Jib Assembly	2,624	1 190
	10' Section	243	110
	20' Section	518	235
#30	25 Foot Basic Jib Assembly	TBD	TBD
	10' Section	TBD	TBD