

Load Rating Chart

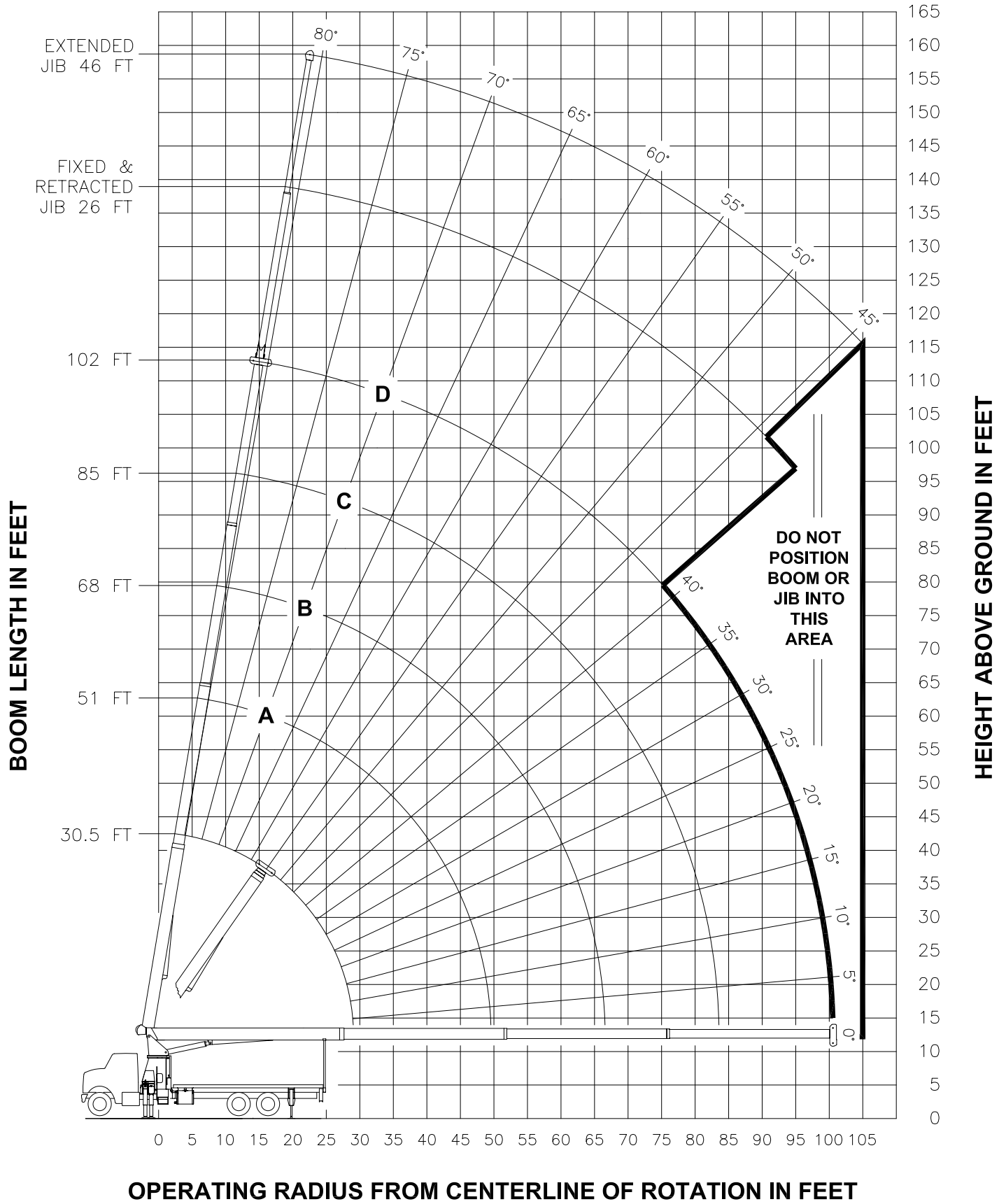
Model 30102C & 30102T



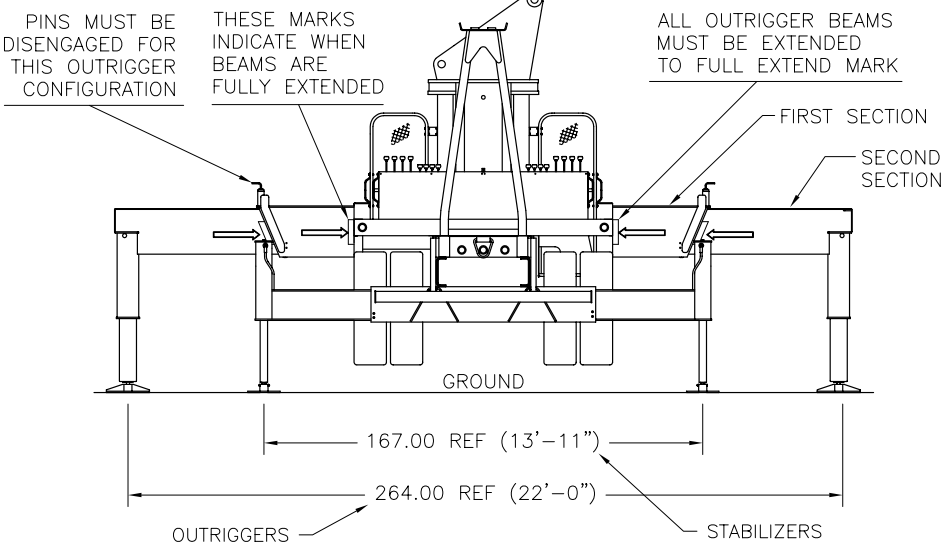
© Manitex

NOTE: Additional copies of this Load Rating Chart can be purchased from your Manitex Distributor. When ordering, use the part number shown in the bottom left corner of this page.

RANGE DIAGRAM - FULL SPREAD CONFIGURATION -



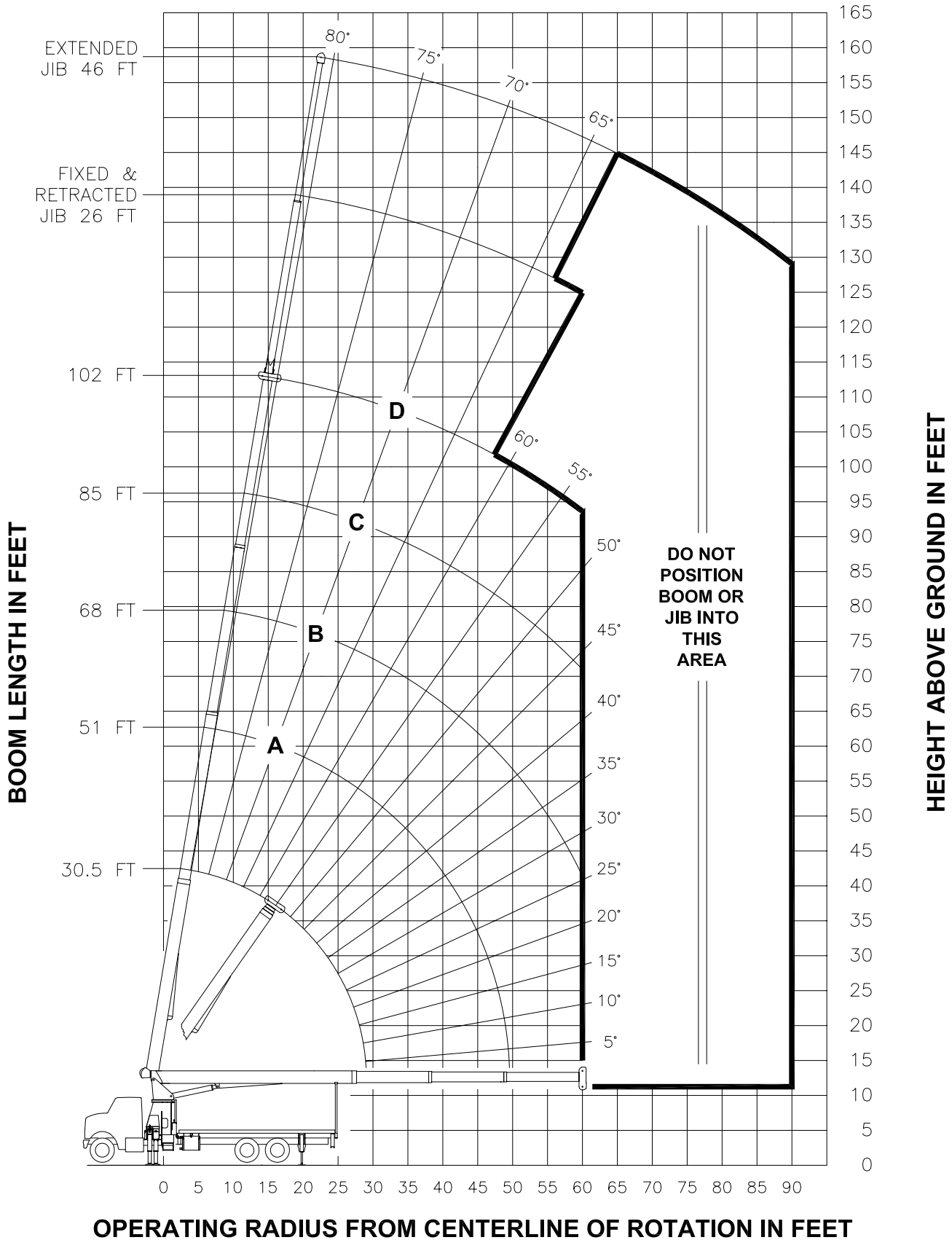
**USE THIS CHART ONLY
WHEN OUTRIGGERS
AND STABILIZERS ARE
FULLY EXTENDED**



- FULL SPREAD CONFIGURATION -

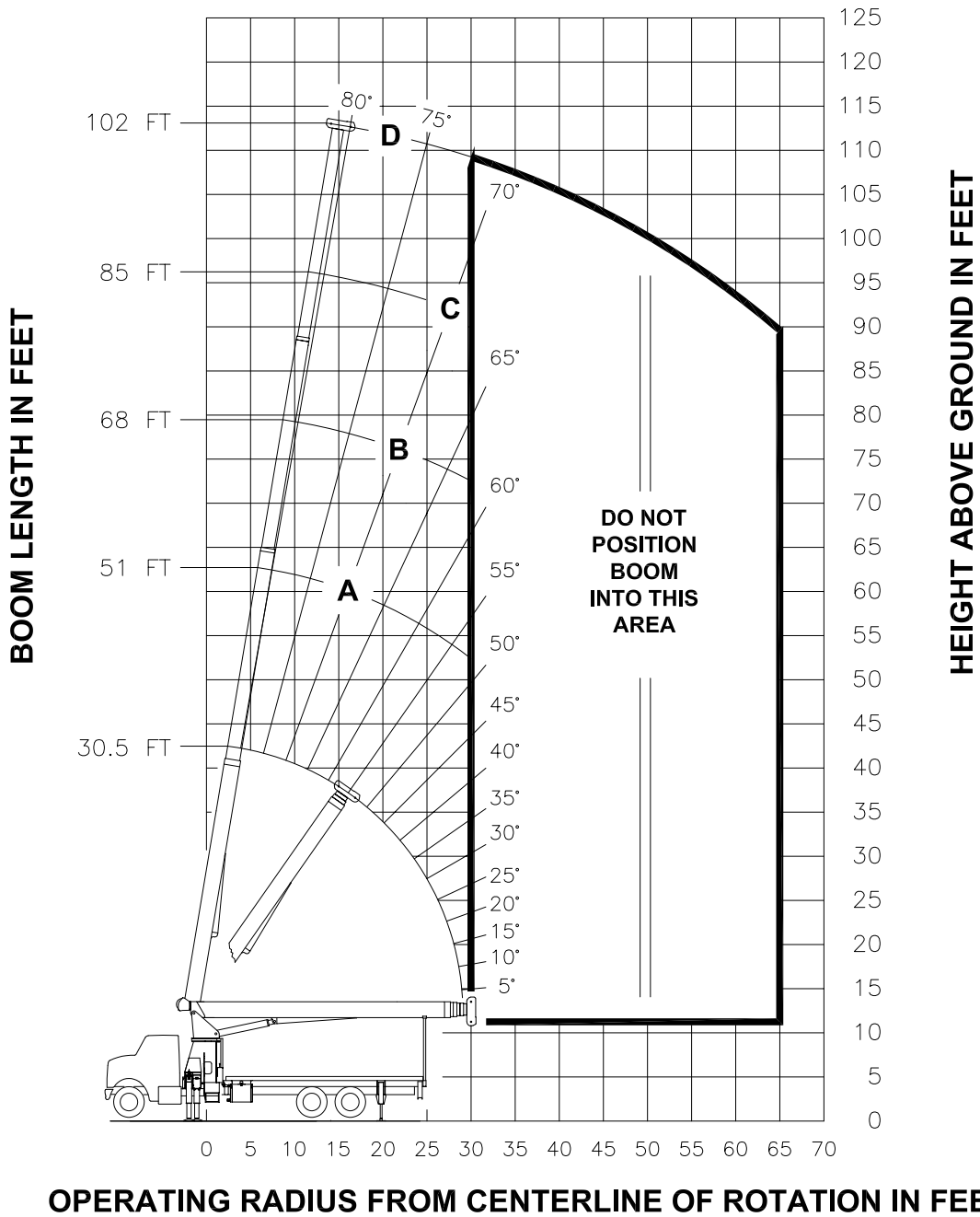
MAIN BOOM LOAD RATINGS IN LBS WITH OUTRIGGERS AND STABILIZERS PLACED AS SHOWN AND THE CRANE LEVEL										JIB LOAD RATINGS IN LBS WITH OUTRIGGERS AND STABILIZERS PLACED AS SHOWN AND THE CRANE LEVEL							
LMI CODE #1										LMI CODE #2							
OPERATING RADIUS FT	LOADED BOOM ANGLE		BOOM LENGTH AND MARKER								OPERATING RADIUS FT	FIXED JIB		TELESCOPIC JIB			
					A		B		C			D		LMI CODE #3		LMI CODE #4	
	°	30.5 FT	°	51 FT	°	68 FT	°	85 FT	°	102 FT		°	JIB LENGTH FOR ALL BOOM LENGTHS SEE WARNING NOTE 4	°	JIB LENGTH FOR ALL BOOM LENGTHS SEE WARNING NOTE 4	°	JIB LENGTH FOR ALL BOOM LENGTHS SEE WARNING NOTE 4
5	80	60000															
8	75	39690															
10	71	33510	79	22500													
12	67	29120	77	22500													
15	60	24440	73	21710	79	20590											
20	48	19280	67	16910	74	15830	78	14420	81	10500							
25	33	15480	61	13850	70	12840	75	12180	78	9650	25	81	5300	81	5100		
30			54	11700	65	10770	72	10140	76	8670	30	79	5300	79	5100	81	3050
35			47	9680	60	9240	68	8640	73	7670	35	77	4990	77	4730	79	3050
40			38	7460	55	7660	64	7490	70	6490	40	75	4580	75	4310	77	3050
45			27	5880	50	6090	60	6190	66	5590	45	72	4190	72	3910	76	3050
50					43	4900	56	5010	63	4860	50	70	3830	70	3550	74	2910
55					36	3980	51	4090	60	4160	55	68	3480	68	3110	72	2740
60					28	3250	47	3360	56	3420	60	65	3020	65	2670	70	2590
65					15	2630	41	2760	53	2820	65	63	2630	63	2280	68	2410
70							36	2260	49	2320	70	60	2310	60	1950	66	2130
75							29	1830	45	1900	75	57	2010	57	1670	63	1880
80							19	1460	40	1530	80	54	1650	54	1350	61	1610
85									36	1220	85	51	1330	51	1030	59	1400
90									29	940	90	48	1050	48	750	56	1200
95									22	690	95	45	810	45	510	54	970
100											100	42	590			51	750
105											105					48	560
		490 LBS		290 LBS		220 LBS		180 LBS		150 LBS	DEDUCTIONS FOR STOWED FIXED JIB						
		730 LBS		440 LBS		330 LBS		260 LBS		220 LBS	DEDUCTIONS FOR STOWED TELESCOPIC JIB						

RANGE DIAGRAM - INTERMEDIATE SPREAD CONFIGURATION - (MID EXTEND)



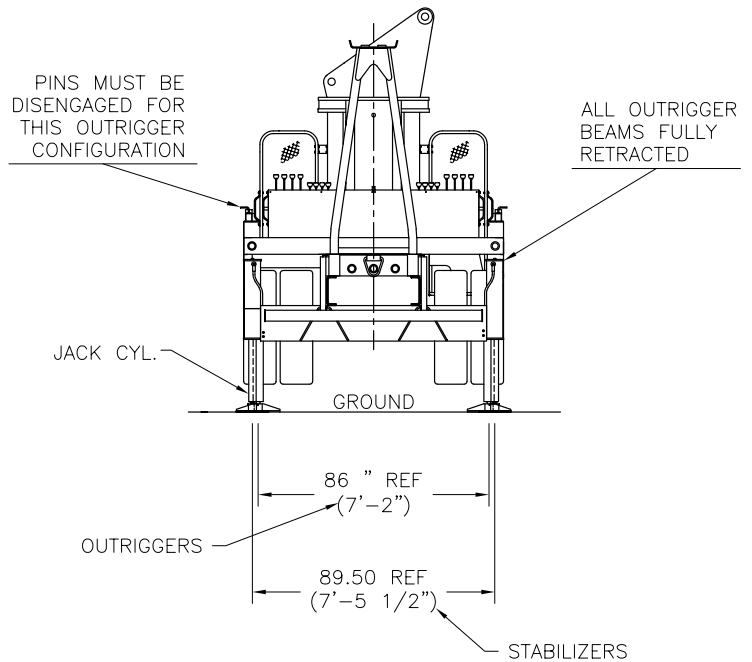
NOTE : LIFTING PERSONNEL WITH CRANE IN THIS OUTRIGGER CONFIGURATION IS STRICTLY PROHIBITED. USE ONLY FULLY EXTENDED OUTRIGGER CONFIGURATION WHEN LIFTING PERSONNEL.

RANGE DIAGRAM - FULLY RETRACTED SPREAD CONFIGURATION -



NOTE : LIFTING PERSONNEL WITH CRANE IN THIS OUTRIGGER CONFIGURATION IS STRICTLY PROHIBITED. USE ONLY FULLY EXTENDED OUTRIGGER CONFIGURATION WHEN LIFTING PERSONNEL.

**USE THIS CHART
ONLY WHEN
OUTRIGGERS AND
STABILIZERS ARE
FULLY RETRACTED**



- FULLY RETRACTED SPREAD CONFIGURATION -

MAIN BOOM LOAD RATINGS IN LBS WITH OUTRIGGERS AND STABILIZERS PLACED AS SHOWN AND THE CRANE LEVEL												
LMI CODE #13												
OPERATING RADIUS FT	LOADED BOOM ANGLE BOOM LENGTH AND MARKER											
			A		B		C		D			
	/	30.5 FT	/	51 FT	/	68 FT	/	85 FT	/	102 FT		
5	80	60000										
8	75	22630										
10	71	14380	79	14940								
12	67	10060	77	10570								
15	60	6410	73	6890	79	7050						
20	48	3280	67	3740	74	3890	78	3980	81	4040		
25	33	1590	61	2060	70	2210	75	2290	78	2350		
30			54	1010	65	1160	72	1240	76	1300		
		490 LBS		290 LBS		220 LBS		180 LBS		150 LBS	DEDUCTIONS FOR STOWED FIXED JIB	
		730 LBS		440 LBS		330 LBS		260 LBS		220 LBS	DEDUCTIONS FOR STOWED TELESCOPIC JIB	

NO JIBS ARE TO BE ERECTED IN THIS OUTRIGGER CONFIGURATION

LMI OPERATING CODES

SETTING	CRANE CONFIGURATION	OUTRIGGER CONFIGURATION
#1	— MAIN BOOM	FULLY EXTENDED
#2	— FIXED JIB	FULLY EXTENDED
#3	— TELESCOPIC JIB—RETRACTED	FULLY EXTENDED
#4	— TELESCOPIC JIB—EXTENDED	FULLY EXTENDED
#5	— PERSONNEL LIFTING PLATFORM ON MAIN BOOM	FULLY EXTENDED
#6	— PERSONNEL LIFTING PLATFORM ON FIXED JIB	FULLY EXTENDED
#7	— PERSONNEL LIFTING PLATFORM ON TELESCOPIC JIB—RETRACTED	FULLY EXTENDED
#8	— PERSONNEL LIFTING PLATFORM ON TELESCOPIC JIB—EXTENDED	FULLY EXTENDED
#9	— MAIN BOOM	INTERMEDIATE
#10	— FIXED JIB	INTERMEDIATE
#11	— TELESCOPIC JIB—RETRACTED	INTERMEDIATE
#12	— TELESCOPIC JIB—EXTENDED	INTERMEDIATE
#13	— MAIN BOOM	FULLY RETRACTED

WARNING

1. THE OPERATOR MUST READ AND UNDERSTAND THE OWNER'S MANUAL BEFORE OPERATING THIS CRANE.
2. POSITIONING OR OPERATION OF CRANE BEYOND AREAS SHOWN ON THIS CHART IS NOT INTENDED OR APPROVED EXCEPT WHERE SPECIFIED IN OWNER'S MANUAL.
3. LOADED BOOM ANGLES AT SPECIFIED BOOM LENGTHS GIVE ONLY AN APPROXIMATION OF THE OPERATING RADIUS. THE BOOM ANGLE BEFORE LOADING SHOULD BE GREATER TO ACCOUNT FOR DEFLECTIONS. DO NOT EXCEED THE OPERATING RADIUS FOR RATED LOADS.
4. THE OPERATING RADIUS SHOWN IN THE JIB RATING CHART IS FOR FULLY EXTENDED BOOM ONLY. WHEN BOOM IS NOT FULLY EXTENDED, USE ONLY LOADED BOOM ANGLE TO DETERMINE LOAD RATING OF JIB.
5. FOR BOOM ANGLES NOT SHOWN ON JIB LOAD RATING CHART, USE RATING OF NEXT LOWER BOOM ANGLE.
6. FOR BOOM LENGTHS NOT SHOWN, USE RATING OF NEXT SHORTER OR LONGER BOOM LENGTH, WHICHEVER IS LESS. FOR RADII NOT SHOWN, USE RATING OF NEXT LONGER RADIUS.
7. CRANE LOAD RATINGS ON OUTRIGGERS ARE BASED ON FREELY SUSPENDED LOADS WITH THE MACHINE LEVELED AND STANDING ON A FIRM UNIFORM SUPPORTING SURFACE. NO ATTEMPT SHALL BE MADE TO MOVE A LOAD HORIZONTALLY ON THE GROUND IN ANY DIRECTION.

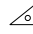
WARNING (CONTINUED)

8. PRACTICAL WORKING LOADS DEPEND ON SUPPORTING SURFACE, WIND, AND OTHER FACTORS AFFECTING STABILITY SUCH AS HAZARDOUS SURROUNDINGS, EXPERIENCE OF PERSONNEL, AND PROPER HANDLING, ALL OF WHICH MUST BE TAKEN INTO ACCOUNT BY THE OPERATOR.
9. THE MAXIMUM LOAD WHICH MAY BE TELESCOPED IS LIMITED BY HYDRAULIC PRESSURE, BOOM ANGLE, AND BOOM LUBRICATION. IT IS SAFE TO ATTEMPT TO TELESCOPE ANY LOAD WITHIN THE LIMITS OF THE LOAD RATING CHART.
10. LIFTING OFF THE MAIN BOOM POINT WHILE THE SWING AROUND JIB IS ERECTED IS NOT INTENDED OR APPROVED.

INFORMATION

1. DEDUCTIONS MUST BE MADE FROM RATED LOADS FOR STOWED JIB, OPTIONAL ATTACHMENTS, HOOKS, AND LOADBLOCKS (SEE DEDUCTION CHART). WEIGHTS OF SLINGS AND ALL OTHER LOAD HANDLING DEVICES SHALL BE CONSIDERED A PART OF THE LOAD.
2. LOAD RATINGS ABOVE THE HEAVY LINE ARE STRUCTURALLY LIMITED CAPACITIES. LOAD RATINGS BELOW THE HEAVY LINE ARE STABILITY LIMITED CAPACITIES AND DO NOT EXCEED 85% OF TIPPING.

DEFINITIONS

1. OPERATING RADIUS IS THE HORIZONTAL DISTANCE FROM THE AXIS OF ROTATION TO THE CENTER OF THE VERTICAL HOIST LINE OR TACKLE WITH LOAD APPLIED.
2. LOADED BOOM ANGLE AS SHOWN IN THE COLUMN HEADED BY , IS THE INCLUDED ANGLE BETWEEN THE HORIZONTAL AND LONGITUDINAL AXES OF THE BOOM BASE AFTER LIFTING RATED LOAD AT RATED RADIUS.