

6406H

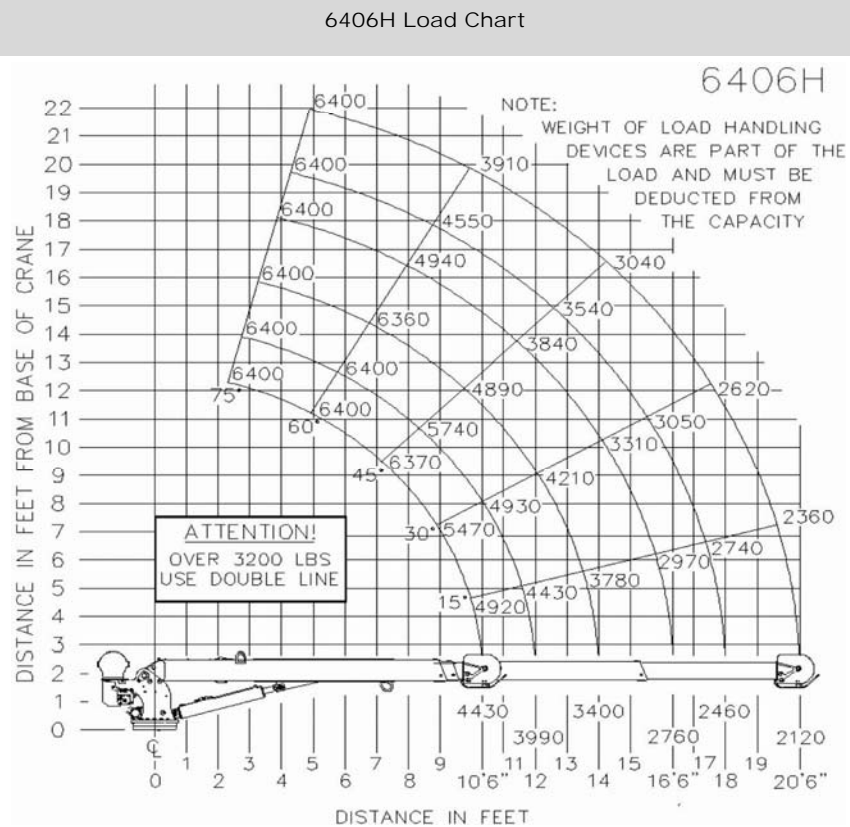
Specifications

Weight	1,725 lbs (782 kgs)
Length	13' 1" (3.98 m)
Width	1' 11.25" (.58 m)
Height	2' 11" (.89 m)
Hydraulic Requirements	8 gallons (30 L) per minute, at 2,750 psi (189.6 bar)
Base Plate Dimensions	16.75" x 16.75" (.43 m x .43 m)
Boom Down	18-21 seconds (full stroke of cylinder)
Boom Retract	16-22 seconds (full stroke of cylinder)
Full 360° Boom Rotation	41-50 seconds

*Truck must be equipped with appropriate outriggers, throttle control, tachometer, PTO, pump and hydraulic reservoir.

Lifting Capacities

Reach	Manual/Power Boom Extension
2' (.61 m)	6,400 lbs (2,903 kgs)
4' (1.22 m)	6,400 lbs (2,903 kgs)
6' (1.8 m)	6,400 lbs (2,903 kgs)
8' (2.4 m)	4,750 lbs (2,155 kgs)
10' (3.0 m)	3,800 lbs (1,724 kgs)
12' (3.7 m)	3,167 lbs (1,436 kgs)
14' (4.3 m)	2,714 lbs (1,231 kgs)
16' (4.9 m)	2,375 lbs (1,077 kgs)
18' (5.5 m)	2,111 lbs (958 kgs)
20' (6.1 m)	1,900 lbs (862 kgs)



Auto Crane Company / 4707 N. Mingo Rd. Tulsa, OK 74117
918-836-0463 / AutoCrane.com

