

Series 900A-WL

wireline support units

product
guide

features

- 3-Boom Options Available
- HCA System or LMI Available
- Arctic Seals & Thermal Relief Valves
Standard On All 900A-WL
- Auxiliary Winch
- Proof Load Tested

contents

Dimensions

2

Proof Load Test

3

Jib Options

4

Accessories

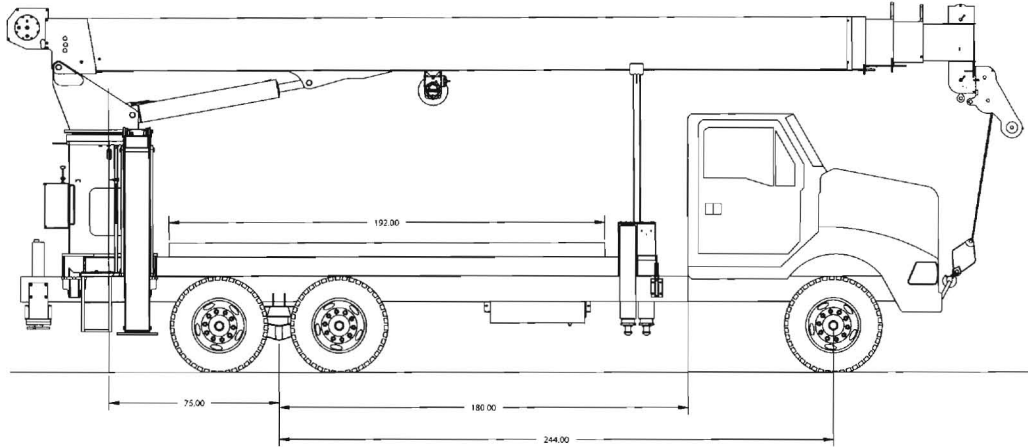
4



dimensions

990A-WL / 9103A-WL Minimum Truck Requirements

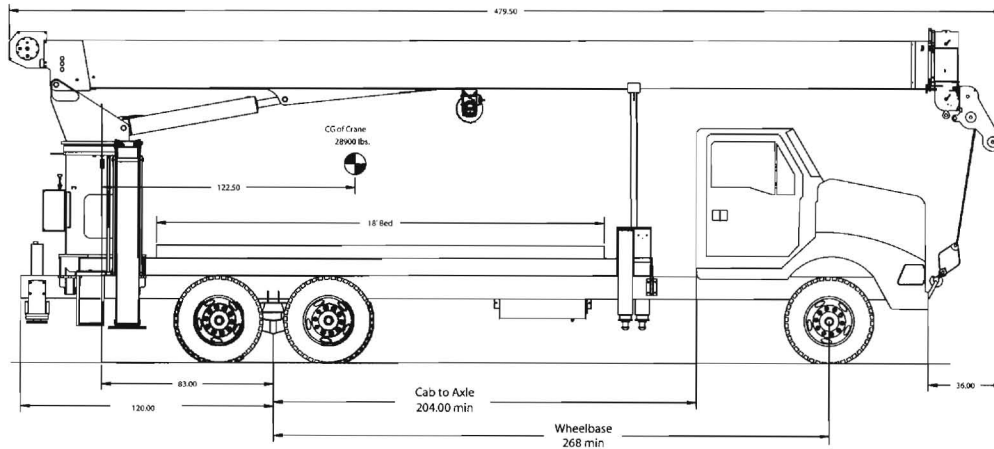
2



990A & 9103A Wireline

Work Area	360°	Frame Section Modulus (SM) Under Crane	110,000 PSI (758 MPa)
Gross Axle Weight Rating Front	16,000 lb. (7257 kg)		15.9 in ³ (260 CM ³)
Gross Axle Weight Rating Rear	40,000 lb. (18,143 kg)	Stability Weight, Front	8,500 lb. (3855 kg) Minimum*
Gross Vehicle Weight Rating	56,000 lb. (25,401 kg)	Stability Weight, Rear	8,800 lb. (3991 kg) Minimum*
Wheelbase	244" (620 CM)	<i>*Estimated axle scale weights prior to installation of crane, stabilizers and subbase for 85% stability.</i>	
Cab to Axle / Trunnion (CA/CT) Minimum	170" (432 CM)		

9125A-WL Minimum Truck Requirements



*Estimated axle scale weights prior to installation of crane, stabilizers and subbase for 85% stability. Bed weight may be included in this stability weight.

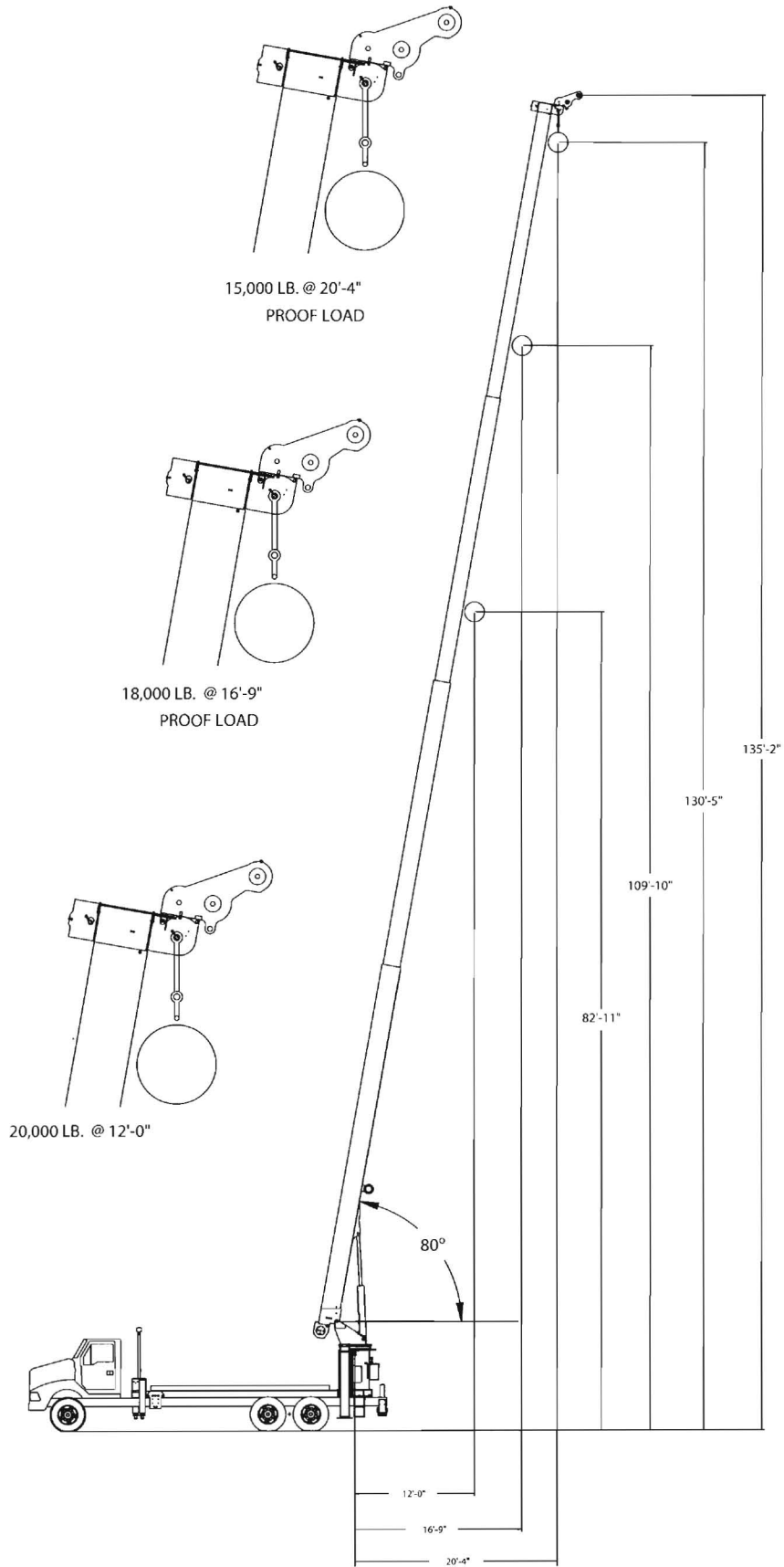
9125A Wireline

Work Area	360°	Frame Section Modulus (SM) Under Crane	110,000 PSI (758 MPa)
Gross Axle Weight Rating Front	18,000 lb. (8164 kg)		15.9 in ³ (260 CM ³)
Gross Axle Weight Rating Rear	40,000 lb. (18,143 kg)	Stability Weight, Front	8,500 lb. (3855 kg) Minimum*
Gross Vehicle Weight Rating	58,000 lb. (26,307 kg)	Stability Weight, Rear	8,800 lb. (3991 kg) Minimum*
Wheelbase	268" (681 CM)	<i>*Estimated axle scale weights prior to installation of crane, stabilizers and subbase for 85% stability.</i>	
Cab to Axle / Trunnion (CA/CT) Minimum	204" (518 CM)		
Afterframe Required	120"		

900A-WL

9125A proof load test

3



900A-WL

accessories

Model 990A – Equipped with a 27-90 ft. (8.23-27.43 m) four-section boom. This model can be equipped with a 21 ft. (6.4 m) jib. Maximum tip height w/ 21 ft. (6.4 m) jib is 120 ft. (36.58 m).

27-90 ft. (8.23-27.43) four-section boom.



9FJ21 21 ft. (6.4 m) jib



Model 9103A – Equipped with a 30-102 ft. (9.14-31.09) four-section boom. This model can be equipped with a 21 ft. (6.4 m) jib. Maximum tip height w/ 21 ft. (6.4 m) jib is 133 ft. (40.54 m).

30-120 ft. (9.14-31.09 m) four-section boom.



9FJ21 21 ft. (6.4 m) jib



Model 9125A – Equipped with a 36-125 ft. (10.97-38.10) four-section boom. Maximum tip height is 134 ft. (40.84 m) (no jib option available).

36-125 ft. (10.97-38.10 m) four-section boom.



9125A 36'-2" Retracted – 125'-0" Extended (11.02 m-38.10 m)

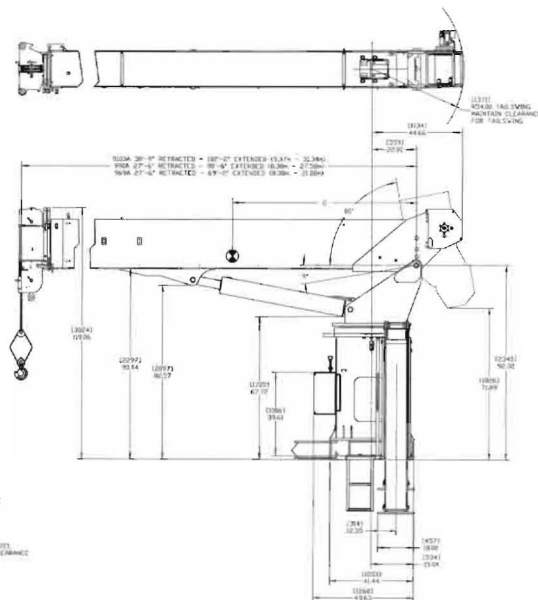
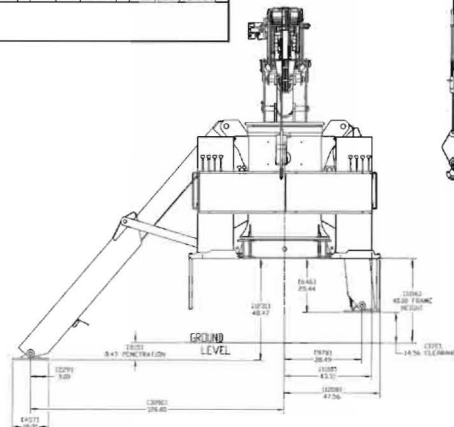
Note: maximum tip height is measured with outriggers/stabilizers fully extended.

Dimension Specification

Dimensions Specifications for wirelines:
All dimensions are inches (mm) unless otherwise specified

Series	Retracted Length	Extended Length	G Inches (cm)	Dry wt lbs (kg)	With oil wt lbs (kg)
990A *	27' 6"	90' 6"	96 (244)	24,115 (10 938)	24,700 (11 204)
9103A *	30' 5"	102' 10"	104 (264)	24,955 (11 324)	25,550 (11 589)
9125A **	36' 2"	125' 0"	122 (310)	26,530 (12 079)	27,250 (12 360)

* Includes rear mount subbase for 16' bed
** Includes rear mount subbase for 18' bed



Manitowoc Crane Group - Americas
Manitowoc, Wisconsin Facility
Tel: [Int + 001] 920 684 6621
Fax: [Int + 001] 920 683 6277
Shady Grove, Pennsylvania Facility
Tel: [Int + 001] 717 597 8121
Fax: [Int + 001] 717 597 4062



www.manitowoccrane.com