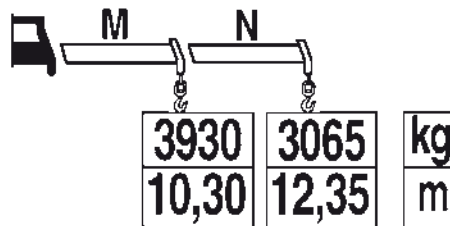
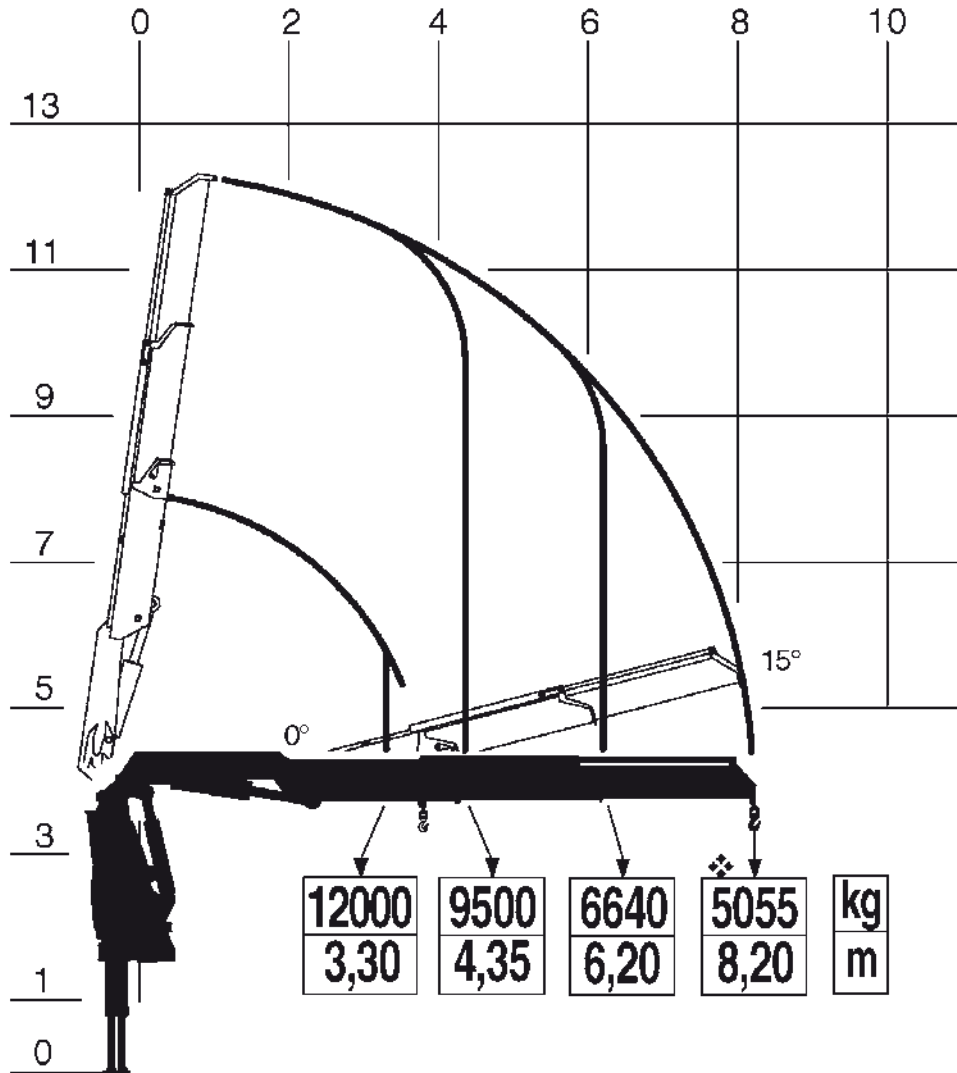


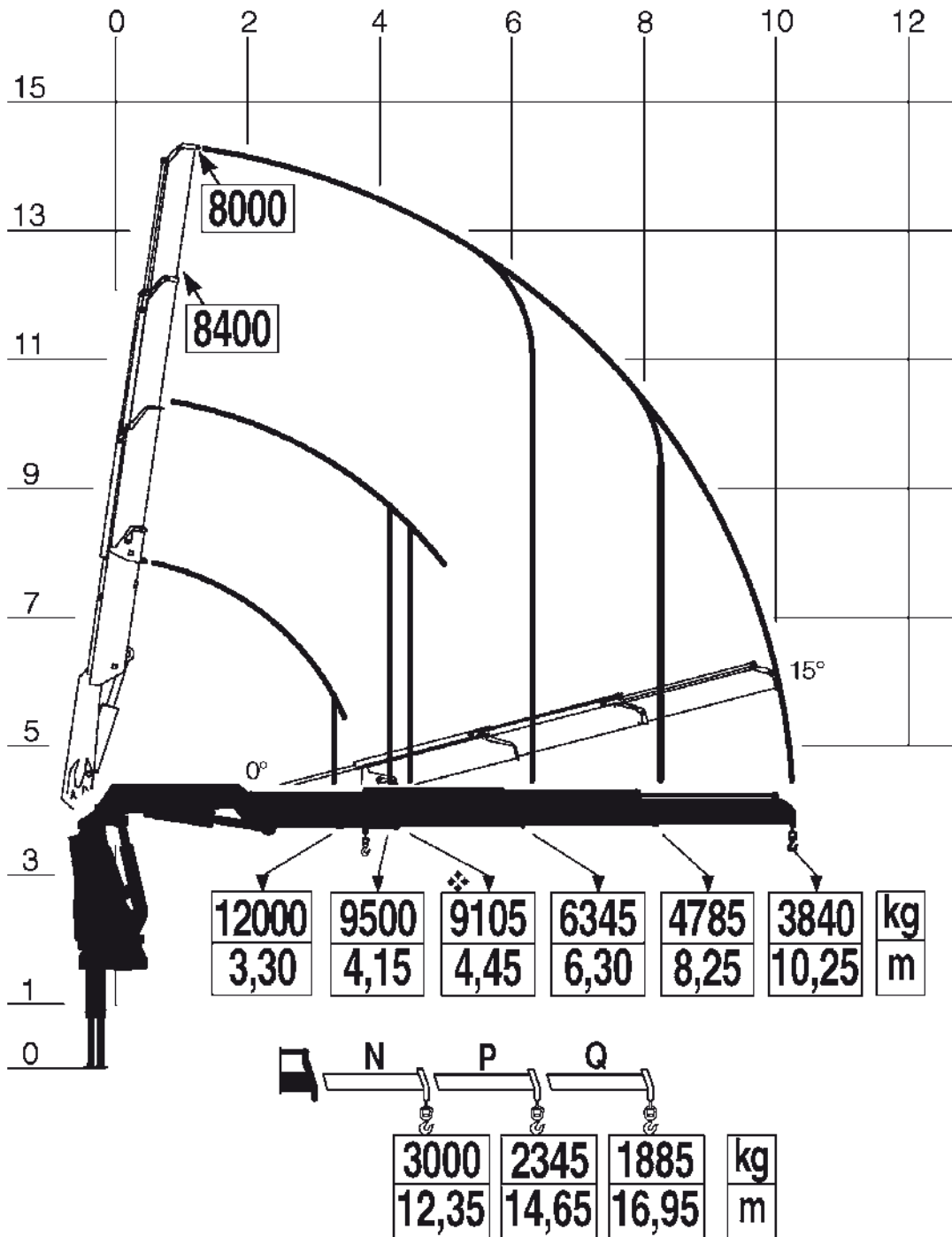
FASSI F425RA.2.22

DE 12032



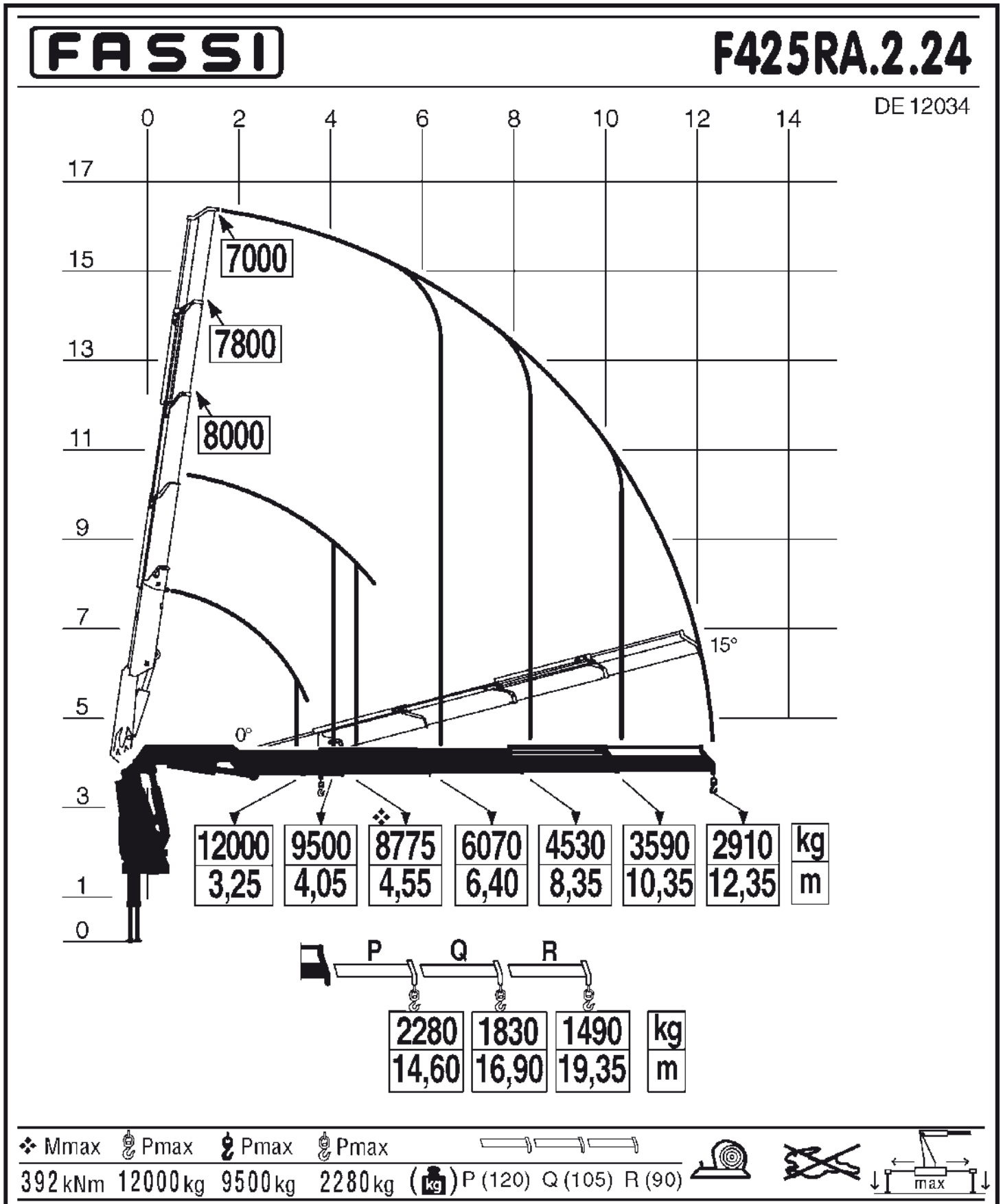
F425RA.2.23

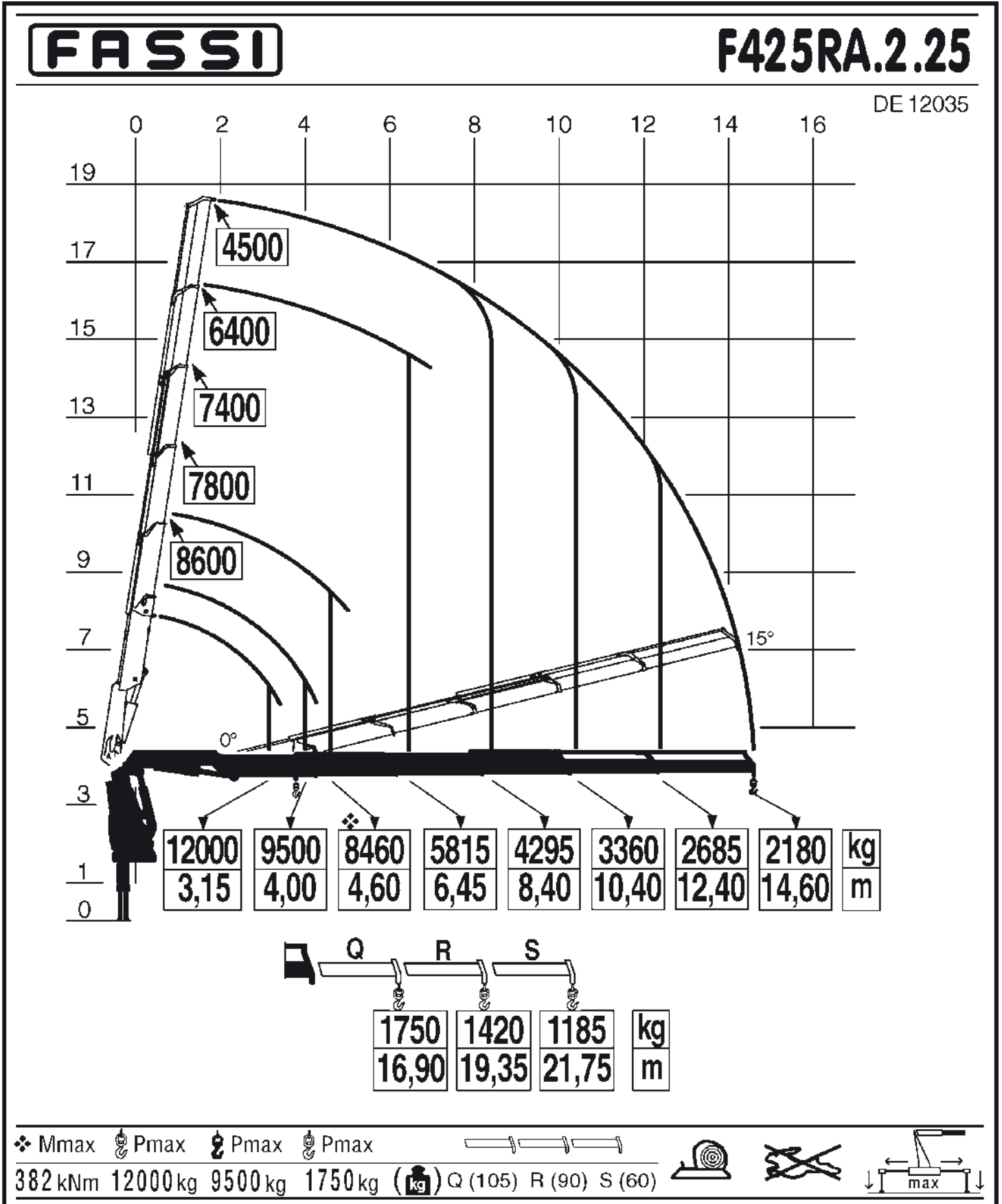
DE 12033

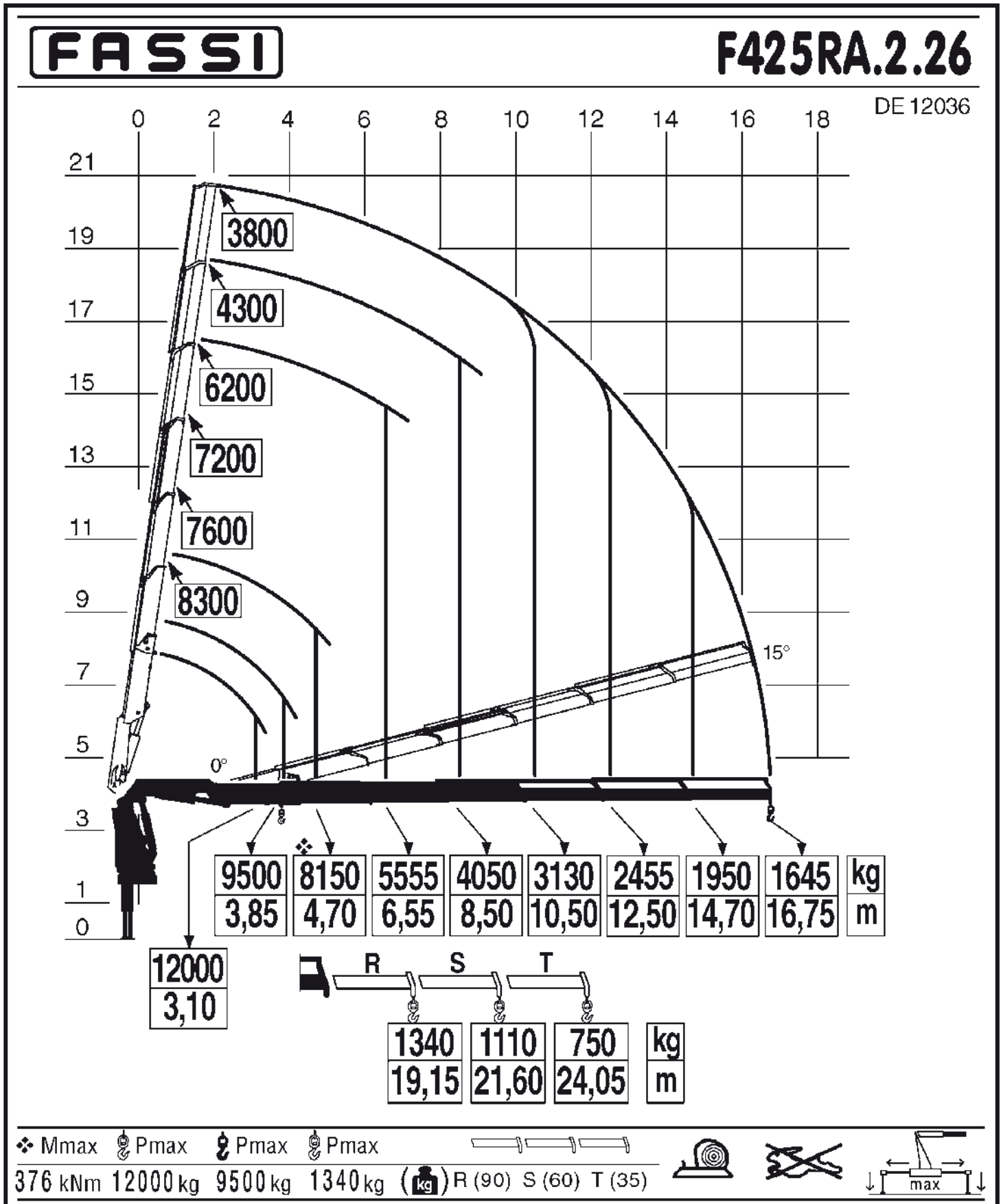


❖ Mmax ⚙ Pmax ⚙ Pmax ⚙ Pmax ————
 397 kNm 12000 kg 9500 kg 3000 kg (kg) N (140) P (120) Q (105)









Via Roma, 110
14021 Albino (BG)
Tel.: +39 035 776400
Fax: +39 035 755020
www.fassi.com
fassi@fassi.com

LOAD DIAGRAM WITH LIFTING MOMENT LIMITING DEVICE

