

GROVE®

TMS500E

product guide

features

- 40 ton (40 mt) Capacity
- 29 ft.-95 ft. (8.8-29 m) 4 section, full power synchronized boom
- 26 ft.-45 ft. (7.9-13.7 m) offsettable telescopic swingaway extension
- Optional 8,460 lb. (3837 kg) heavy counterweight package
- Rear air suspension with shock absorbers
- 300 bhp (224 kw) Cummins diesel engine



contents

| | |
|-------------------------------|----|
| Features | 2 |
| Specifications | 3 |
| Dimensions | 5 |
| Counterweight Configurations | 6 |
| Working Range | 7 |
| Main Boom Charts | 8 |
| Telescopic Swingaway Charts | 9 |
| Standard Counterweight Charts | 11 |
| Light Counterweight Charts | 15 |
| Load Handling | 19 |

features

2



26 ft. - 45 ft. telescoping swingaway extension with offset up to 30° maximizes up and over capacity.

Rear air suspension over walking beams with shock absorbers makes a comfortable ride even at max speed of 65 mph (105 Km/h)



Standard aluminum rims save weight and add aesthetic value



All steel fabricated superstructure cab has padded acoustical lining for sound suppression, safety glass and excellent visibility under close working conditions.

specifications

3

Superstructure

Boom

29 ft. - 95 ft. (8.8 m - 29 m) four-section, full power boom.
Maximum Tip Height: 102.5 ft. (31.2 m).

Telescopic Swingaway Extension

26 ft. - 45 ft. (7.92 m - 13.7 m) telescoping offsettable swingaway extension. Offsettable at 0° and 30°. Stows alongside base boom section. Maximum Tip Height: 146 ft. (44.5 m)

Boom Nose

Four nylatron sheaves mounted on heavy duty tapered roller bearings with removable pin-type rope guards. Quick reeve type boom nose. *Optional removable/stowable auxiliary boom nose with removable pin type rope guard.

Boom Elevation

One double-acting hydraulic cylinder with integral holding valve provides elevation from -3° to 76°.

Load Moment & Anti-Two Block System

Standard "Graphics Display" load moment and anti-two block system with audio-visual warning and control lever lockout. These systems provide electronic display of boom angle, length, radius, tip height, counterweight, relative load moment, maximum permissible load, load indication and warning of impending two-block condition. The standard "**Work Area Definition System**" allows the operator to pre-select and define safe working areas. If the crane approaches the pre-set limits, audio-visual warnings aid the operator in avoiding job-site obstructions.

Cab

High vision, galvanized steel fabricated with acoustical lining and tinted safety glass throughout. Deluxe seat incorporates armrest mounted hydraulic single-axis controllers. Dash panel incorporates gauges for all engine functions. Other standard features include: hot water heater, cab circulating air fan, sliding side and rear windows, sliding skylight with electric wiper, windshield wash/wipe, fire extinguisher, 12v power outlet, and seat belt.

Swing

Planetary swing with foot applied multi-disc brake. Spring applied, hydraulically released swing brake and plunger-type, one position, mechanical house lock operated from cab. 360° mechanical swing lock.
Maximum speed: 3.0 RPM.

Counterweight

Standard, consisting of 2,300 lbs. (1 043 kg) on superstructure.
Optional: 8,460 lbs. (3 837 kg) heavy counterweight package.

Hydraulic System

Two main gear pumps with a combined capacity of 127.7 GPM (483 L/m). Maximum operating pressure: 3500 PSI (26.2 MPa). Two individual valve banks. Return line type filter with full flow by-pass protection and service indicator. Replaceable cartridge with micron filtration rating of 2/20/75. 96 gallon (363 L) reservoir. Oil cooler on carrier. System pressure test ports.

Hoist Specifications Main and Auxiliary Hoists

Model HP15B9-17G

Planetary reduction with automatic spring applied multi-disc brake. Grooved drum. Electronic hoist drum rotation indicator and hoist drum cable followers.

| | |
|--------------------------------|--|
| Maximum Single Line Speed: | 429 FPM (131 m/min) |
| Maximum Permissible Line Pull: | 11,640 lb. (5 280kg) Standard 6 x 37 class rope |
| | 11,640 lb. (5 280kg) Optional 35 x 7 class rope |
| Rope Diameter: | 5/8 in. (16 mm) |
| Rope Length: | 450 ft. (137 m) |
| Rope Type: | 6 x 37 class EIPS IWRC *Optional 35 x 7 class rotation resistant |
| Maximum Rope Stowage: | 596 ft. (181 m) |

*Denotes optional equipment

TMS500E

GROVE

specifications

4

Carrier

Chassis

Box section frame fabricated from high-strength, alloy steel. Integral outrigger housings and front/rear towing and tie down lugs.

Outrigger System

Hydraulic single-stage, double box beam outriggers with front stabilizer and inverted jack design; equipped with integral holding valves. Three positions with fully extended, intermediate (50%) extended and fully retracted settings. Steel fabricated, outrigger pads, 24 in. (610 mm) round. An aluminum, permanently stowed, front center stabilizer pad. Optional aluminum outrigger pads available in place of steel. Maximum outrigger pad load; 72,000 lbs. (32 659 kg)

Outrigger Controls

Located in the superstructure cab and on the left side (umbilical design), requires two hand operation. Crane level indicator (sight bubble) on right side console. Carrier mounted controls located on each side of the carrier for initial setup.

Engine

Cummins ISC300, six cylinder, turbocharged and after cooled diesel, 506 cu. in. (8.3L) 300 bhp (224 kW) @ 2,000 RPM. Maximum torque: 860 ft. lb. (1166 Nm) @ 1,600 RPM.

Transmission

Allison automatic with 6 speeds forward and 1 reverse.

Fuel Tank Capacity

60 gallons (227 L).

Electrical System

Two 12 V low maintenance batteries. 12 V system with 12 V headlights. Battery disconnect in battery box compartment.

Drive

6 x 4 x 2.

Steering

Front axles, mechanical with hydraulic power assist controlled by steering wheel.

Axles

Front: (1) beam-type steering axle, 82.7 in. (2.10 m) track. Capacity: 21,000 lbs. (9 526 kg)

Rear: (2) single reduction drive, 72.3 in. (1.84 m) track. Inter-axle differential lock. Capacity: 41,000 lbs. (18 598 kg)

Brakes

S-cam, dual line air system operating on all wheels. Spring-applied, air released parking brake acting on rear axles. Air dryer standard.

Tires

Standard Front: 425/65R 22.5 radial highway tread tubeless singles. Standard Rear: 11R22.5 highway tread tube type duals.

Suspension

Front: Spring mounted single axle with shock absorbers. Rear: Air bag suspension with shock absorbers.

Lights

Full carrier lighting package including front and rear turn indicators, headlights and LED tail lights, brake and hazard warning lights.

Cab

One man design, galvanized steel fabricated with acoustical lining and tinted safety glass throughout. Deluxe fabric covered, fully air adjustable seat with armrests. Complete driving controls and engine instrumentation including tilt telescope steering wheel, tachometer, speedometer, voltmeter, water temp., oil pressure, fuel level, dual air pressure gauges with A/V warning, engine high temp./low coolant A/V warning. Other standard items include: hot water heater/defroster, electric variable speed windshield washer and wiper, fire extinguisher, cab circulating fan, seat belt, door and window locks, and a 12V power outlet for cell phone or fax machine.

Maximum Speed

65 MPH (105 kph)

Gradeability (Theoretical)

32% (Based on 52,000 lbs. [23 587 kg] GVW)

Miscellaneous Standard Equipment

Full length aluminum fenders, rear view mirrors, electronic back-up alarm, sling/tool box, electric controlled pump disconnect, auxiliary air supply, battery disconnect, air cleaner restriction indicator, block and ball stowage, aluminum front/rear wheels (outer rear only).

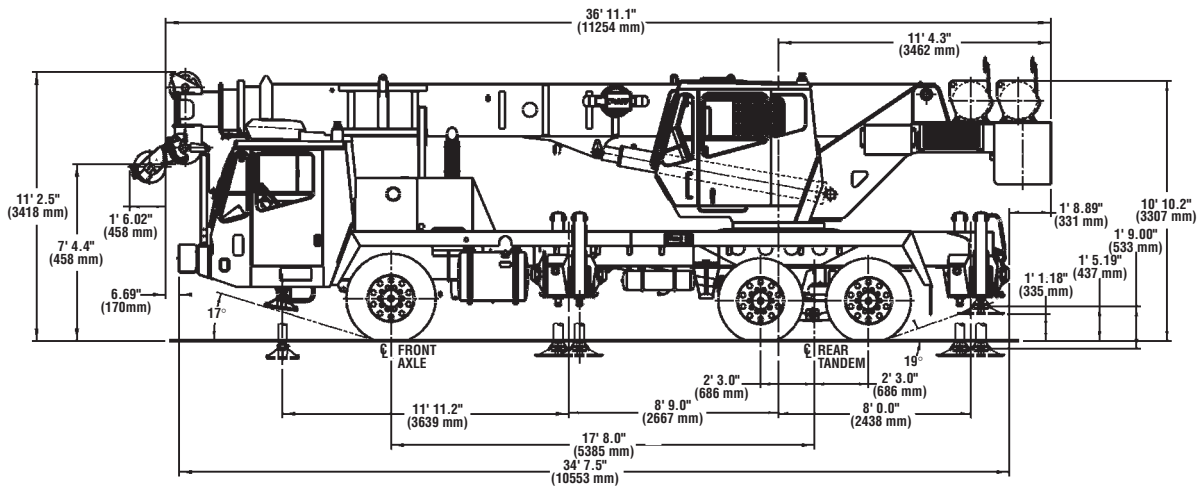
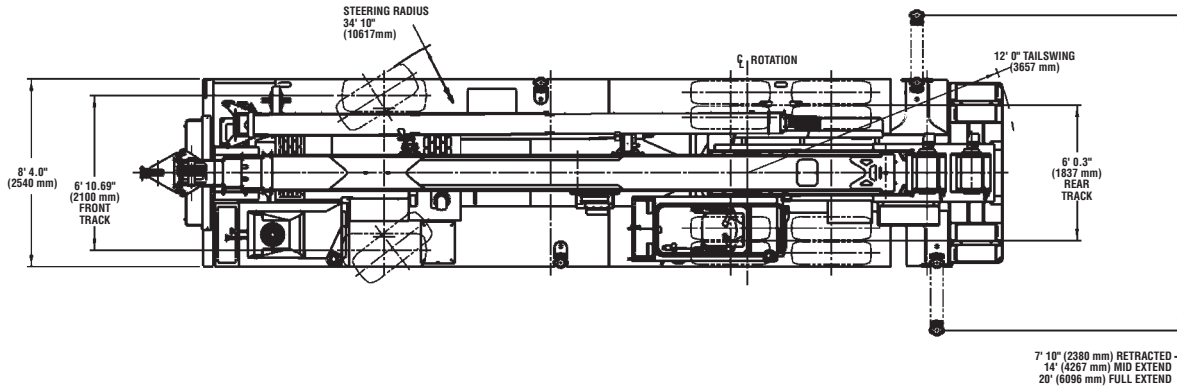
**Denotes optional equipment*

TMS500E

GROVE

dimensions

5



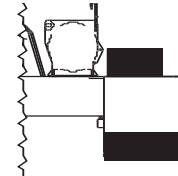
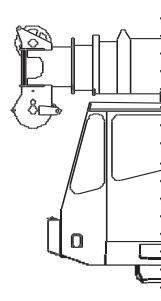
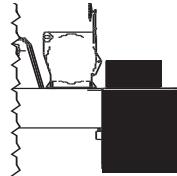
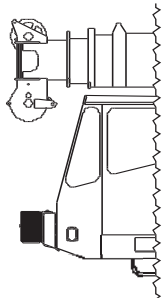
Weights

| | Gross | | Front Axle | | Rear Axles | |
|--|--------|----------|------------|---------|------------|----------|
| Axle Allowable | 62,000 | (28 123) | 21,000 | (9 525) | 41,000 | (18 598) |
| Unit Configuration lb. (kg.) | | | | | | |
| Basic machine including 95 ft. main boom, main hoist with cable, Cummins/Allison drivetrain, driver and light counterweight package. | 48,034 | (21 788) | 17,097 | (7 755) | 30,937 | (14 033) |
| Additions: | | | | | | |
| Standard counterweight package (includes IPO) | 1,812 | (822) | -883 | (-401) | 2,695 | (1 222) |
| Heavy counterweight package (includes IPO) | 7,972 | (3 616) | -1,035 | (-470) | 9,007 | (4 086) |
| 25 ton (22 mt) hookblock (front stowage) | 550 | (250) | 755 | (342) | -205 | (-93) |
| 7.5 ton (6.8 mt) headache ball (front stowage) | 369 | (167) | 508 | (230) | -139 | (-63) |
| 7.5 ton (6.8 mt) headache ball (rear stowage, includes mount) | 394 | (178) | -175 | (-79) | 569 | (258) |
| Swingaway carrier brackets | 85 | (39) | 40 | (18) | 45 | (20) |
| 26 ft. (7.9 m) swingaway | 1,300 | (590) | 1,006 | (456) | 294 | (133) |
| 26 - 45 ft. (7.9 - 13.7 m) telescoping swingaway | 1,790 | (812) | 1,351 | (613) | 439 | (199) |
| Auxiliary boom nose | 114 | (52) | 165 | (75) | -51 | (-23) |
| Auxiliary hoist with rope | 339 | (154) | -163 | (-74) | 502 | (228) |
| Air conditioning superstructure cab | 205 | (93) | -47 | (-21) | 252 | (114) |
| Air conditioning chassis cab | 81 | (37) | 94 | (43) | -13 | (-6) |

TMS500E

counterweight configurations

6

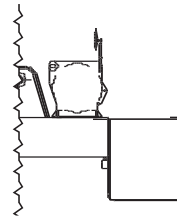
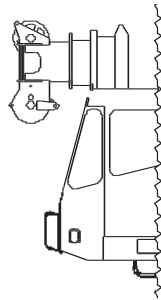


Heavy:

Superstructure 7000 lb. + 1460 lb. Front Bumper with Aux. Hoist or in place of (IPO).

Standard:

Superstructure 2300 lb. with Aux. Hoist or in place of (IPO).



Light:

Superstructure Shell 1250 lb. + No Front Bumper without Aux. Hoist or in place of (IPO).

Load Chart Configuration

| Counterweight | Heavy Counterweight | Standard Counterweight | Light Counterweight |
|---------------------|---------------------|------------------------|---------------------|
| Main Boom | × ■ ● □ | × ■ ● □ | × ■ ● □ |
| 26 ft. Swingaway | × ■ | × ■ | × ■ |
| 26-45 ft. Swingaway | × ■ | × ■ | × ■ |

Outrigger Span
Rubber

20 ft. = ×
P&C = □

14 ft. = ■

7.8 ft. = ●

TMS500E

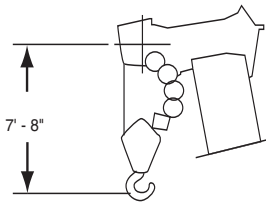
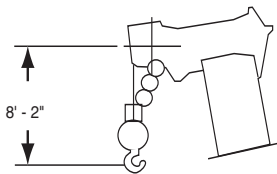
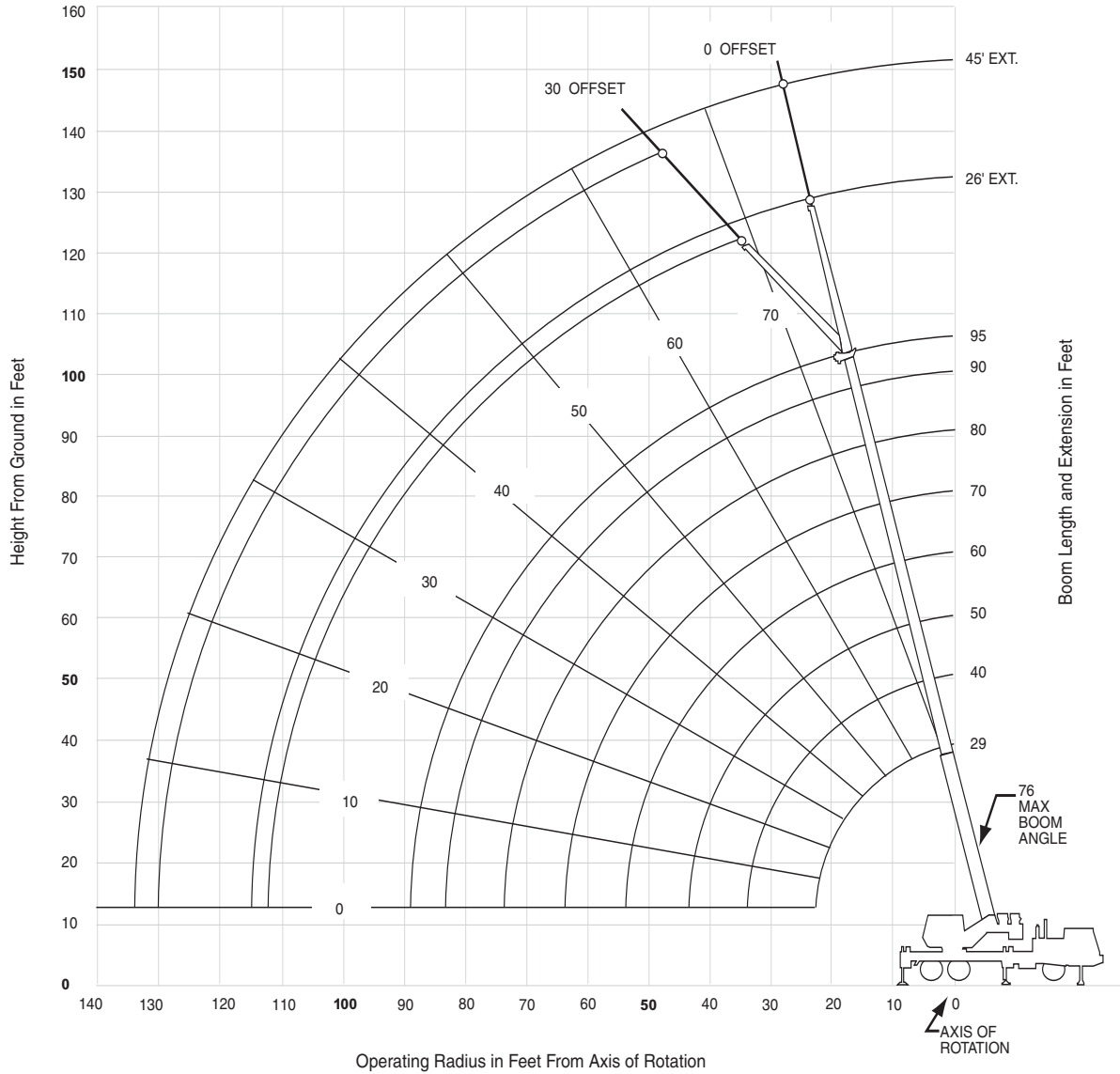
GROVE

working range

29-95' main boom + 26-45' lattice extension

(Boom Deflection Not Shown)

7



Dimensions are for largest Grove furnished hook block and headache ball, with anti-two block activated.

TMS500E

THIS CHART IS ONLY A GUIDE AND SHOULD NOT BE USED TO OPERATE THE CRANE. The individual crane's load chart, operating instructions and other instructional plates must be read and understood prior to operating the crane.

GROVE

load charts

8

 29 - 95 ft.
  8,460 lbs
  100%
20' 0"
  360°



| Feet | 29 | 40 | 50 | 60 | 70 | 80 | 90 | 95 |
|------|----------------|------------------|------------------|------------------|------------------|------------------|------------------|------------------|
| 9 | 80,000 (63) | | | | | | | |
| 10 | 60,850 (61) | 50,100 (69.5) | 46,950 (74.5) | | | | | |
| 12 | 55,050 (56) | 50,100 (66.5) | 44,950 (72) | 38,850 (75.5) | | | | |
| 15 | 46,300 (48) | 45,050 (61.5) | 41,050 (68) | 36,000 (72.5) | 29,450 (75) | *22,450 (76) | | |
| 20 | 32,750 (30) | 31,900 (52.5) | 34,100 (61.5) | 29,500 (67) | 27,400 (71) | 22,450 (73.5) | *18,550 (76) | *15,500 (76) |
| 25 | | 24,000 (42.5) | 25,800 (54.5) | 24,800 (61.5) | 23,100 (66.5) | 19,250 (70) | 16,500 (72.5) | 15,300 (74) |
| 30 | | 18,800 (29) | 20,300 (47) | 20,600 (56) | 19,600 (61.5) | 16,850 (66) | 14,400 (69) | 13,200 (70.5) |
| 35 | | | 15,550 (38) | 15,850 (49.5) | 16,000 (57) | 14,850 (62) | 12,700 (65.5) | 11,500 (67.5) |
| 40 | | | 12,800 (26) | 13,050 (42.5) | 13,200 (51.5) | 13,250 (57.5) | 11,000 (62) | 10,000 (64) |
| 45 | | | | 10,900 (34.5) | 10,900 (46) | 10,900 (53) | 9,630 (58) | 9,060 (60.5) |
| 50 | | | | 8,990 (23.5) | 9,020 (39.5) | 9,030 (48) | 8,740 (54.5) | 7,990 (57) |
| 55 | | | | | 7,550 (32) | 7,560 (43) | 7,670 (50) | 7,100 (53) |
| 60 | | | | | 6,350 (22) | 6,380 (37) | 6,470 (45.5) | 6,320 (49) |
| 65 | | | | | | 5,410 (30) | 5,490 (40.5) | 5,530 (44.5) |
| 70 | | | | | | 4,580 (20.5) | 4,670 (35) | 4,700 (40) |
| 75 | | | | | | | 3,970 (28.5) | 4,000 (34.5) |
| 80 | | | | | | | 3,360 (19.5) | 3,400 (28) |
| 85 | | | | | | | | 2,860 (19.5) |

Minimum boom angle (°) for indicated length (no load) 0
 Maximum boom length (ft.) at 0° boom angle (no load) 95
 NOTE: () Boom angles are in degrees.
 *This capacity is based on maximum boom angle.

| Boom Angle | Lifting Capacities at Zero Degree Boom Angle | | | | | | | |
|------------|--|------------------|------------------|-----------------|-----------------|-----------------|-----------------|---------------|
| | Main Boom Length in Feet | | | | | | | |
| | 29 | 40 | 50 | 60 | 70 | 80 | 90 | 95 |
| 0° | 26,150 (22.8) | 15,850 (33.8) | 11,000 (43.8) | 7,790 (53.8) | 5,570 (63.8) | 4,030 (73.8) | 2,940 (83.8) | 2,480 (89) |

NOTE: () Reference radii in feet. A6-829-102810

 29 - 95 ft.
  8,460 lbs
  100%
20' 0"
  Over Rear



| Feet | 29 | 40 | 50 | 60 | 70 | 80 | 90 | 95 |
|------|----------------|------------------|------------------|------------------|------------------|------------------|------------------|------------------|
| 9 | 80,000 (63) | | | | | | | |
| 10 | 60,850 (61) | 50,100 (69.5) | 46,950 (74.5) | | | | | |
| 12 | 55,050 (56) | 50,100 (66.5) | 44,950 (72) | 38,850 (75.5) | | | | |
| 15 | 46,300 (48) | 45,050 (61.5) | 41,050 (68) | 36,000 (72.5) | 29,450 (75) | *22,450 (76) | | |
| 20 | 32,750 (30) | 31,900 (52.5) | 34,100 (61.5) | 29,500 (67) | 27,400 (71) | 22,450 (73.5) | *18,550 (76) | *15,500 (76) |
| 25 | | 24,000 (42.5) | 25,800 (54.5) | 24,800 (61.5) | 23,100 (66.5) | 19,250 (70) | 16,500 (72.5) | 15,300 (74) |
| 30 | | 18,800 (29) | 20,300 (47) | 20,600 (56) | 19,600 (61.5) | 16,850 (66) | 14,400 (69) | 13,200 (70.5) |
| 35 | | | 15,550 (38) | 15,850 (49.5) | 16,000 (57) | 14,850 (62) | 12,700 (65.5) | 11,500 (67.5) |
| 40 | | | 12,800 (26) | 13,050 (42.5) | 13,200 (51.5) | 13,250 (57.5) | 11,000 (62) | 10,000 (64) |
| 45 | | | | 10,900 (34.5) | 11,100 (46) | 11,200 (53) | 9,630 (58) | 9,060 (60.5) |
| 50 | | | | 9,240 (23.5) | 9,410 (39.5) | 9,530 (48) | 8,740 (54.5) | 7,990 (57) |
| 55 | | | | | 8,030 (32) | 8,150 (43) | 7,760 (50) | 7,100 (53) |
| 60 | | | | | 6,870 (22) | 7,000 (37) | 6,920 (45.5) | 6,320 (49) |
| 65 | | | | | | 6,020 (30) | 6,110 (40.5) | 5,650 (44.5) |
| 70 | | | | | | 5,190 (20.5) | 5,280 (35) | 5,080 (40) |
| 75 | | | | | | | 4,560 (28.5) | 4,570 (34.5) |
| 80 | | | | | | | 3,930 (19.5) | 3,960 (28) |
| 85 | | | | | | | | 3,410 (19.5) |

Minimum boom angle (°) for indicated length (no load) 0
 Maximum boom length (ft.) at 0° boom angle (no load) 95
 NOTE: () Boom angles are in degrees.
 *This capacity is based on maximum boom angle.

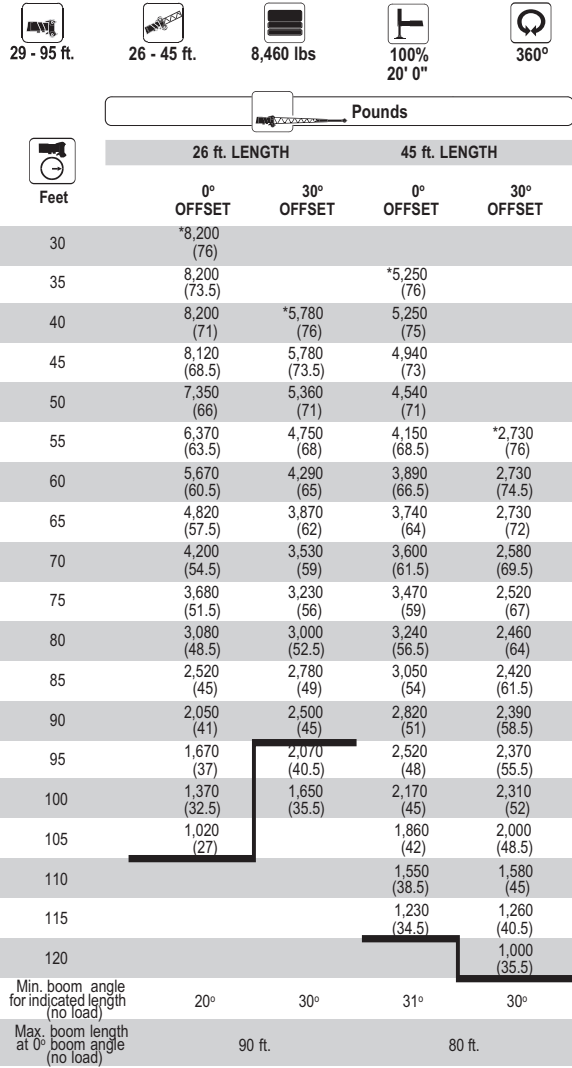
| Boom Angle | Lifting Capacities at Zero Degree Boom Angle | | | | | | | |
|------------|--|------------------|------------------|-----------------|-----------------|-----------------|-----------------|---------------|
| | Main Boom Length in Feet | | | | | | | |
| | 29 | 40 | 50 | 60 | 70 | 80 | 90 | 95 |
| 0° | 26,150 (22.8) | 15,850 (33.8) | 11,100 (43.8) | 8,140 (53.8) | 6,100 (63.8) | 4,620 (73.8) | 3,490 (83.8) | 3,000 (89) |

NOTE: () Reference radii in feet. A6-829-102811

TMS500E

load charts

9



NOTE: () Boom angles are in degrees. A6-829-101542
 *This capacity based on maximum boom angle.

NOTES:

1. All capacities above the bold line are based on structural strength of boom extension.
2. 26 ft. and 45 ft. boom extension lengths may be used for single line lifting service.
3. Radii listed are for a fully extended boom with the boom extension erected. For main boom lengths less than fully extended, the rated loads are determined by boom angle. Use only the column which corresponds to the boom extension length and offset for which the machine is configured. For boom angles not shown, use the rating of the next lower boom angle.
4. **WARNING:** Operation of this machine with heavier loads than the capacities listed is strictly prohibited. Machine tipping with boom extension occurs rapidly and without advance warning.
5. Boom angle is the angle above or below horizontal of the longitudinal axis of the boom base section after lifting rated load.
6. Capacities listed are with outriggers properly extended and vertical jacks set only.

TMS500E

load charts

10

| Feet | 26 ft. LENGTH | | 45 ft. LENGTH | |
|--|-----------------|-----------------|-----------------|-----------------|
| | 0° OFFSET | 30° OFFSET | 0° OFFSET | 30° OFFSET |
| 30 | *8,200 (76) | | | |
| 35 | 8,200 (73.5) | | *5,250 (76) | |
| 40 | 8,200 (71) | *5,780 (76) | 5,250 (75) | |
| 45 | 8,120 (68.5) | 5,780 (73.5) | 4,940 (73) | |
| 50 | 7,350 (66) | 5,360 (71) | 4,540 (71) | |
| 55 | 6,370 (63.5) | 4,750 (68) | 4,150 (68.5) | *2,730 (76) |
| 60 | 5,670 (60.5) | 4,290 (65) | 3,890 (66.5) | 2,730 (74.5) |
| 65 | 4,820 (57.5) | 3,870 (62) | 3,740 (64) | 2,730 (72) |
| 70 | 4,200 (54.5) | 3,530 (59) | 3,600 (61.5) | 2,580 (69.5) |
| 75 | 3,680 (51.5) | 3,230 (56) | 3,470 (59) | 2,520 (67) |
| 80 | 3,080 (48.5) | 3,000 (52.5) | 3,240 (56.5) | 2,460 (64) |
| 85 | 2,520 (45) | 2,780 (49) | 3,050 (54) | 2,420 (61.5) |
| 90 | 2,050 (41) | 2,500 (45) | 2,820 (51) | 2,390 (58.5) |
| 95 | 1,670 (37) | 2,100 (40.5) | 2,520 (48) | 2,370 (55.5) |
| 100 | 1,370 (32.5) | 1,650 (35.5) | 2,170 (45) | 2,310 (52) |
| 105 | 1,020 (27) | | 1,860 (42) | 2,000 (48.5) |
| 110 | | | 1,550 (38.5) | 1,580 (45) |
| 115 | | | 1,230 (34.5) | 1,260 (40.5) |
| 120 | | | | 1,000 (35.5) |
| Min. boom angle for indicated length (no load) | 20° | 30° | 31° | 30° |
| Max. boom length at 0° boom angle (no load) | 90 ft. | | 80 ft. | |

NOTE: () Boom angles are in degrees. A6-829-101564
 *This capacity based on maximum boom angle.

NOTES:

1. All capacities above the bold line are based on structural strength of boom extension.
2. 26 ft. and 45 ft. boom extension lengths may be used for single line lifting service.
3. Radii listed are for a fully extended boom with the boom extension erected. For main boom lengths less than fully extended, the rated loads are determined by boom angle. Use only the column which corresponds to the boom extension length and offset for which the machine is configured. For boom angles not shown, use the rating of the next lower boom angle.
4. **WARNING:** Operation of this machine with heavier loads than the capacities listed is strictly prohibited. Machine tipping with boom extension occurs rapidly and without advance warning.
5. Boom angle is the angle above or below horizontal of the longitudinal axis of the boom base section after lifting rated load.
6. Capacities listed are with outriggers properly extended and vertical jacks set only.

TMS500E

GROVE

THIS CHART IS ONLY A GUIDE AND SHOULD NOT BE USED TO OPERATE THE CRANE. The individual crane's load chart, operating instructions and other instructional plates must be read and understood prior to operating the crane.

load charts

11

 29 - 95 ft.
  2,300 lbs
  100% 20' 0"
  360°

| Feet | Main Boom Length in Feet | | | | | | | |
|---|--------------------------|------------------|------------------|------------------|------------------|------------------|------------------|------------------|
| | 29 | 40 | 50 | 60 | 70 | 80 | 90 | 95 |
| 9 | 80,000 (63) | | | | | | | |
| 10 | 60,850 (61) | 50,100 (69.5) | 46,950 (74.5) | | | | | |
| 12 | 53,500 (56) | 50,100 (66.5) | 44,950 (72) | 38,850 (75.5) | | | | |
| 15 | 40,750 (48) | 41,650 (61.5) | 41,050 (68) | 36,000 (72.5) | 29,450 (75) | *22,450 (76) | | |
| 20 | 28,300 (30) | 29,200 (52.5) | 29,650 (61.5) | 29,500 (67) | 27,400 (71) | 22,450 (73.5) | *18,550 (76) | *15,500 (76) |
| 25 | | 21,900 (42.5) | 22,300 (54.5) | 22,550 (61.5) | 22,750 (66.5) | 19,250 (70) | 16,500 (72.5) | 15,300 (74) |
| 30 | | 17,000 (29) | 17,150 (47) | 17,350 (56) | 17,500 (61.5) | 16,850 (66) | 14,400 (69) | 13,200 (70.5) |
| 35 | | | 12,950 (38) | 13,050 (49.5) | 13,150 (57) | 13,250 (62) | 12,700 (65.5) | 11,500 (67.5) |
| 40 | | | 10,150 (26) | 10,200 (42.5) | 10,300 (51.5) | 10,350 (57.5) | 10,400 (62) | 10,000 (64) |
| 45 | | | | 8,200 (34.5) | 8,230 (46) | 8,270 (53) | 8,310 (58) | 8,330 (60.5) |
| 50 | | | | 6,650 (23.5) | 6,690 (39.5) | 6,710 (48) | 6,750 (54.5) | 6,770 (57) |
| 55 | | | | | 5,490 (32) | 5,490 (43) | 5,530 (50) | 5,550 (53) |
| 60 | | | | | 4,500 (22) | 4,520 (37) | 4,550 (45.5) | 4,570 (49) |
| 65 | | | | | | 3,720 (30) | 3,760 (40.5) | 3,780 (44.5) |
| 70 | | | | | | 3,030 (20.5) | 3,090 (35) | 3,110 (40) |
| 75 | | | | | | | 2,530 (28.5) | 2,550 (34.5) |
| 80 | | | | | | | 2,020 (19.5) | 2,060 (28) |
| 85 | | | | | | | | 1,630 (19.5) |
| Minimum boom angle (°) for indicated length (no load) | | | | | | | | 0 |
| Maximum boom length (ft.) at 0° boom angle (no load) | | | | | | | | 95 |
| NOTE: () Boom angles are in degrees. | | | | | | | | |
| *This capacity is based on maximum boom angle. | | | | | | | | |

| Boom Angle | Lifting Capacities at Zero Degree Boom Angle | | | | | | | |
|------------|--|------------------|-----------------|-----------------|-----------------|-----------------|-----------------|---------------|
| | Main Boom Length in Feet | | | | | | | |
| | 29 | 40 | 50 | 60 | 70 | 80 | 90 | 95 |
| 0° | 23,800 (22.8) | 13,600 (33.8) | 8,520 (43.8) | 5,680 (53.8) | 3,860 (63.8) | 2,570 (73.8) | 1,680 (83.8) | 1,320 (89) |

NOTE: () Reference radii in feet.

A6-829-102812

TMS500E

load charts

12



| Feet | Main Boom Length in Feet | | | | | | | |
|---|--------------------------|------------------|------------------|------------------|------------------|------------------|------------------|------------------|
| | 29 | 40 | 50 | 60 | 70 | 80 | 90 | 95 |
| 9 | 80,000 (63) | | | | | | | |
| 10 | 60,850 (61) | 50,100 (69.5) | 46,950 (74.5) | | | | | |
| 12 | 53,500 (56) | 50,100 (66.5) | 44,950 (72) | 38,850 (75.5) | | | | |
| 15 | 40,750 (48) | 41,650 (61.5) | 41,050 (68) | 36,000 (72.5) | 29,450 (75) | *22,450 (76) | | |
| 20 | 28,300 (30) | 29,200 (52.5) | 29,650 (61.5) | 29,500 (67) | 27,400 (71) | 22,450 (73.5) | *18,550 (76) | *15,500 (76) |
| 25 | | 21,900 (42.5) | 22,300 (54.5) | 22,550 (61.5) | 22,750 (66.5) | 19,250 (70) | 16,500 (72.5) | 15,300 (74) |
| 30 | | 17,050 (29) | 17,450 (47) | 17,700 (56) | 17,900 (61.5) | 16,850 (66) | 14,400 (69) | 13,200 (70.5) |
| 35 | | | 14,050 (38) | 14,300 (49.5) | 14,450 (57) | 14,600 (62) | 12,700 (65.5) | 11,500 (67.5) |
| 40 | | | 11,400 (26) | 11,550 (42.5) | 11,600 (51.5) | 11,700 (57.5) | 11,000 (62) | 10,000 (64) |
| 45 | | | | 9,370 (34.5) | 9,480 (46) | 9,550 (53) | 9,630 (58) | 9,060 (60.5) |
| 50 | | | | 7,690 (23.5) | 7,830 (39.5) | 7,890 (48) | 8,030 (54.5) | 7,990 (57) |
| 55 | | | | | 6,490 (32) | 6,580 (43) | 6,690 (50) | 6,740 (53) |
| 60 | | | | | 5,410 (22) | 5,510 (37) | 5,610 (45.5) | 5,650 (49) |
| 65 | | | | | | 4,610 (30) | 4,710 (40.5) | 4,750 (44.5) |
| 70 | | | | | | 3,860 (20.5) | 3,940 (35) | 3,980 (40) |
| 75 | | | | | | | 3,280 (28.5) | 3,320 (34.5) |
| 80 | | | | | | | 2,720 (19.5) | 2,740 (28) |
| 85 | | | | | | | | 2,250 (19.5) |
| Minimum boom angle (°) for indicated length (no load) | | | | | | | | 0 |
| Maximum boom length (ft.) at 0° boom angle (no load) | | | | | | | | 95 |

NOTE: () Boom angles are in degrees.
*This capacity is based on maximum boom angle.

Lifting Capacities at Zero Degree Boom Angle

| Boom Angle | Main Boom Length in Feet | | | | | | | |
|------------|--------------------------|------------------|-----------------|-----------------|-----------------|-----------------|-----------------|---------------|
| | 29 | 40 | 50 | 60 | 70 | 80 | 90 | 95 |
| 0° | 23,800 (22.8) | 14,300 (33.8) | 9,710 (43.8) | 6,650 (53.8) | 4,720 (63.8) | 3,360 (73.8) | 2,340 (83.8) | 1,890 (89) |

NOTE: () Reference radii in feet.

A6-829-102813

TMS500E

GROVE

THIS CHART IS ONLY A GUIDE AND SHOULD NOT BE USED TO OPERATE THE CRANE. The individual crane's load chart, operating instructions and other instructional plates must be read and understood prior to operating the crane.

load charts

13



| Feet | 26 ft. LENGTH | | 45 ft. LENGTH | |
|--|-----------------|-----------------|-----------------|-----------------|
| | 0° OFFSET | 30° OFFSET | 0° OFFSET | 30° OFFSET |
| 30 | *8,200 (76) | | | |
| 35 | 8,200 (73.5) | | *5,250 (76) | |
| 40 | 8,200 (71) | *5,780 (76) | 5,250 (75) | |
| 45 | 8,120 (68.5) | 5,780 (73.5) | 4,940 (73) | |
| 50 | 6,980 (66) | 5,360 (71) | 4,540 (71) | |
| 55 | 5,680 (63.5) | 4,750 (68) | 4,150 (68.5) | *2,730 (76) |
| 60 | 4,640 (60.5) | 4,290 (65) | 3,890 (66.5) | 2,730 (74.5) |
| 65 | 3,780 (57.5) | 3,870 (62) | 3,740 (64) | 2,730 (72) |
| 70 | 3,070 (54.5) | 3,530 (59) | 3,600 (61.5) | 2,580 (69.5) |
| 75 | 2,470 (51.5) | 2,930 (56) | 3,210 (59) | 2,520 (67) |
| 80 | 1,950 (48.5) | 2,330 (52.5) | 2,680 (56.5) | 2,460 (64) |
| 85 | 1,510 (45) | 1,810 (49) | 2,220 (54) | 2,420 (61.5) |
| 90 | 1,120 (41) | 1,360 (45) | 1,820 (51) | 2,390 (58.5) |
| 95 | | | 1,470 (48) | 1,970 (55.5) |
| 100 | | | 1,150 (45) | 1,570 (52) |
| 105 | | | | 1,210 (48.5) |
| Min. boom angle for indicated length (no load) | 35° | 36° | 40° | 42° |
| Max. boom length at 0° boom angle (no load) | 70 ft. | | 70 ft. | |

NOTE: () Boom angles are in degrees. A6-829-101543
 *This capacity based on maximum boom angle.

NOTES:

1. All capacities above the bold line are based on structural strength of boom extension.
2. 26 ft. and 45 ft. boom extension lengths may be used for single line lifting service.
3. Radii listed are for a fully extended boom with the boom extension erected. For main boom lengths less than fully extended, the rated loads are determined by boom angle. Use only the column which corresponds to the boom extension length and offset for which the machine is configured. For boom angles not shown, use the rating of the next lower boom angle.
4. **WARNING:** Operation of this machine with heavier loads than the capacities listed is strictly prohibited. Machine tipping with boom extension occurs rapidly and without advance warning.
5. Boom angle is the angle above or below horizontal of the longitudinal axis of the boom base section after lifting rated load.
6. Capacities listed are with outriggers properly extended and vertical jacks set only.

TMS500E

load charts

14



| Feet | 26 ft. LENGTH | | 45 ft. LENGTH | |
|--|-----------------|-----------------|-----------------|-----------------|
| | 0° OFFSET | 30° OFFSET | 0° OFFSET | 30° OFFSET |
| 30 | *8,200 (76) | | | |
| 35 | 8,200 (73.5) | | *5,250 (76) | |
| 40 | 8,200 (71) | *5,780 (76) | 5,250 (75) | |
| 45 | 8,120 (68.5) | 5,780 (73.5) | 4,940 (73) | |
| 50 | 7,350 (66) | 5,360 (71) | 4,540 (71) | |
| 55 | 6,370 (63.5) | 4,750 (68) | 4,150 (68.5) | *2,730 (76) |
| 60 | 5,670 (60.5) | 4,290 (65) | 3,890 (66.5) | 2,730 (74.5) |
| 65 | 4,760 (57.5) | 3,870 (62) | 3,740 (64) | 2,730 (72) |
| 70 | 3,970 (54.5) | 3,530 (59) | 3,600 (61.5) | 2,580 (69.5) |
| 75 | 3,310 (51.5) | 3,230 (56) | 3,470 (59) | 2,520 (67) |
| 80 | 2,730 (48.5) | 3,000 (52.5) | 3,240 (56.5) | 2,460 (64) |
| 85 | 2,230 (45) | 2,530 (49) | 3,030 (54) | 2,420 (61.5) |
| 90 | 1,790 (41) | 2,030 (45) | 2,560 (51) | 2,390 (58.5) |
| 95 | 1,400 (37) | 1,590 (40.5) | 2,150 (48) | 2,370 (55.5) |
| 100 | 1,060 (32.5) | 1,200 (35.5) | 1,790 (45) | 2,300 (52) |
| 105 | | | 1,460 (42) | 1,880 (48.5) |
| 110 | | | 1,170 (38.5) | 1,500 (45) |
| 115 | | | | 1,160 (40.5) |
| Min. boom angle for indicated length (no load) | 27° | 30° | 34° | 34° |
| Max. boom length at 0° boom angle (no load) | 80 ft. | | 70 ft. | |

NOTE: () Boom angles are in degrees. A6-829-101565
 *This capacity based on maximum boom angle.

NOTES:

1. All capacities above the bold line are based on structural strength of boom extension.
2. 26 ft. and 45 ft. boom extension lengths may be used for single line lifting service.
3. Radii listed are for a fully extended boom with the boom extension erected. For main boom lengths less than fully extended, the rated loads are determined by boom angle. Use only the column which corresponds to the boom extension length and offset for which the machine is configured. For boom angles not shown, use the rating of the next lower boom angle.
4. **WARNING:** Operation of this machine with heavier loads than the capacities listed is strictly prohibited. Machine tipping with boom extension occurs rapidly and without advance warning.
5. Boom angle is the angle above or below horizontal of the longitudinal axis of the boom base section after lifting rated load.
6. Capacities listed are with outriggers properly extended and vertical jacks set only.

TMS500E

GROVE

THIS CHART IS ONLY A GUIDE AND SHOULD NOT BE USED TO OPERATE THE CRANE. The individual crane's load chart, operating instructions and other instructional plates must be read and understood prior to operating the crane.

load charts

15



| Feet | Main Boom Length in Feet | | | | | | | |
|------|--------------------------|------------------|------------------|------------------|------------------|------------------|------------------|------------------|
| | 29 | 40 | 50 | 60 | 70 | 80 | 90 | 95 |
| 9 | 72,450 (63) | | | | | | | |
| 10 | 60,850 (61) | 50,100 (69.5) | 46,950 (74.5) | | | | | |
| 12 | 51,250 (56) | 50,100 (66.5) | 44,950 (72) | 38,850 (75.5) | | | | |
| 15 | 39,000 (48) | 40,000 (61.5) | 40,350 (68) | 36,000 (72.5) | 29,450 (75) | *22,450 (76) | | |
| 20 | 27,000 (30) | 27,900 (52.5) | 28,300 (61.5) | 28,700 (67) | 27,400 (71) | 22,450 (73.5) | *18,550 (76) | *15,500 (76) |
| 25 | | 20,900 (42.5) | 21,400 (54.5) | 21,550 (61.5) | 22,050 (66.5) | 19,250 (70) | 16,500 (72.5) | 15,300 (74) |
| 30 | | 15,150 (29) | 15,200 (47) | 15,250 (56) | 15,550 (61.5) | 15,850 (66) | 14,400 (69) | 13,200 (70.5) |
| 35 | | | 11,500 (38) | 11,450 (49.5) | 11,650 (57) | 11,850 (62) | 11,850 (65.5) | 11,500 (67.5) |
| 40 | | | 9,010 (26) | 8,970 (42.5) | 9,080 (51.5) | 9,190 (57.5) | 9,210 (62) | 9,220 (64) |
| 45 | | | | 7,170 (34.5) | 7,230 (46) | 7,280 (53) | 7,300 (58) | 7,320 (60.5) |
| 50 | | | | 5,800 (23.5) | 5,830 (39.5) | 5,840 (48) | 5,870 (54.5) | 5,880 (57) |
| 55 | | | | | 4,750 (32) | 4,730 (43) | 4,760 (50) | 4,770 (53) |
| 60 | | | | | 3,860 (22) | 3,840 (37) | 3,870 (45.5) | 3,880 (49) |
| 65 | | | | | | 3,110 (30) | 3,140 (40.5) | 3,150 (44.5) |
| 70 | | | | | | 2,470 (20.5) | 2,530 (35) | 2,550 (40) |
| 75 | | | | | | | 2,010 (28.5) | 2,030 (34.5) |
| 80 | | | | | | | 1,550 (19.5) | 1,590 (28) |
| 85 | | | | | | | | 1,190 (19.5) |

Minimum boom angle (°) for indicated length (no load) 0
 Maximum boom length (ft.) at 0° boom angle (no load) 95
 NOTE: () Boom angles are in degrees.
 *This capacity is based on maximum boom angle.

| Boom Angle | Lifting Capacities at Zero Degree Boom Angle | | | | | | |
|------------|--|------------------|-----------------|-----------------|-----------------|-----------------|-----------------|
| | Main Boom Length in Feet | | | | | | |
| | 29 | 40 | 50 | 60 | 70 | 80 | 90 |
| 0° | 22,650 (22.8) | 12,100 (33.8) | 7,540 (43.8) | 4,940 (53.8) | 3,280 (63.8) | 2,050 (73.8) | 1,240 (83.8) |

NOTE: () Reference radii in feet. A6-829-101535A

TMS500E

load charts

16

| Feet | Main Boom Length in Feet | | | | | | | |
|------|--------------------------|------------------|------------------|------------------|------------------|------------------|------------------|------------------|
| | 29 | 40 | 50 | 60 | 70 | 80 | 90 | 95 |
| 9 | 72,450 (63) | | | | | | | |
| 10 | 60,850 (61) | 50,100 (69.5) | 46,950 (74.5) | | | | | |
| 12 | 51,250 (56) | 50,100 (66.5) | 44,950 (72) | 38,850 (75.5) | | | | |
| 15 | 39,000 (48) | 40,000 (61.5) | 40,350 (68) | 36,000 (72.5) | 29,450 (75) | *22,450 (76) | | |
| 20 | 27,000 (30) | 27,900 (52.5) | 28,300 (61.5) | 28,700 (67) | 27,400 (71) | 22,450 (73.5) | *18,550 (76) | *15,500 (76) |
| 25 | | 20,900 (42.5) | 21,500 (54.5) | 21,800 (61.5) | 22,100 (66.5) | 19,250 (70) | 16,500 (72.5) | 15,300 (74) |
| 30 | | 16,300 (29) | 16,900 (47) | 17,100 (56) | 17,250 (61.5) | 16,850 (66) | 14,400 (69) | 13,200 (70.5) |
| 35 | | | 13,100 (38) | 13,150 (49.5) | 13,250 (57) | 13,350 (62) | 12,700 (65.5) | 11,500 (67.5) |
| 40 | | | 10,300 (26) | 10,400 (42.5) | 10,500 (51.5) | 10,550 (57.5) | 10,800 (62) | 10,000 (64) |
| 45 | | | | 8,390 (34.5) | 8,500 (46) | 8,560 (53) | 8,740 (58) | 8,840 (60.5) |
| 50 | | | | 6,830 (23.5) | 6,960 (39.5) | 7,020 (48) | 7,160 (54.5) | 7,230 (57) |
| 55 | | | | | 5,720 (32) | 5,810 (43) | 5,910 (50) | 5,970 (53) |
| 60 | | | | | 4,710 (22) | 4,810 (37) | 4,910 (45.5) | 4,950 (49) |
| 65 | | | | | | 3,970 (30) | 4,070 (40.5) | 4,110 (44.5) |
| 70 | | | | | | 3,270 (20.5) | 3,350 (35) | 3,390 (40) |
| 75 | | | | | | | 2,740 (28.5) | 2,770 (34.5) |
| 80 | | | | | | | 2,210 (19.5) | 2,240 (28) |
| 85 | | | | | | | | 1,770 (19.5) |

Minimum boom angle (°) for indicated length (no load) 0
 Maximum boom length (ft.) at 0° boom angle (no load) 95
 NOTE: () Boom angles are in degrees.
 *This capacity is based on maximum boom angle.

| Boom Angle | Lifting Capacities at Zero Degree Boom Angle | | | | | | | |
|------------|--|------------------|-----------------|-----------------|-----------------|-----------------|-----------------|---------------|
| | Main Boom Length in Feet | | | | | | | |
| | 29 | 40 | 50 | 60 | 70 | 80 | 90 | 95 |
| 0° | 22,650 (22.8) | 13,550 (33.8) | 8,690 (43.8) | 5,860 (53.8) | 4,060 (63.8) | 2,800 (73.8) | 1,860 (83.8) | 1,440 (89) |

NOTE: () Reference radii in feet.

A6-829-101563A

TMS500E

GROVE

THIS CHART IS ONLY A GUIDE AND SHOULD NOT BE USED TO OPERATE THE CRANE. The individual crane's load chart, operating instructions and other instructional plates must be read and understood prior to operating the crane.

load charts

17



| Feet | 26 ft. LENGTH | | 45 ft. LENGTH | |
|--|-----------------------|-----------------|-----------------|-----------------|
| | 0° OFFSET | 30° OFFSET | 0° OFFSET | 30° OFFSET |
| 30 | *8,200 (76) | | | |
| 35 | 8,200 (73.5) | | *5,250 (76) | |
| 40 | 8,200 (71) | *5,780 (76) | 5,250 (75) | |
| 45 | 7,660 (68.5) | 5,780 (73.5) | 4,940 (73) | |
| 50 | 6,110 (66) | 5,360 (71) | 4,540 (71) | |
| 55 | 4,910 (63.5) | 4,750 (68) | 4,150 (68.5) | *2,730 (76) |
| 60 | 3,940 (60.5) | 4,290 (65) | 3,890 (66.5) | 2,730 (74.5) |
| 65 | 3,150 (57.5) | 3,830 (62) | 3,740 (64) | 2,730 (72) |
| 70 | 2,500 (54.5) | 3,060 (59) | 3,260 (61.5) | 2,580 (69.5) |
| 75 | 1,940 (51.5) | 2,400 (56) | 2,680 (59) | 2,520 (67) |
| 80 | 1,470 (48.5) | 1,840 (52.5) | 2,190 (56.5) | 2,460 (64) |
| 85 | 1,050 (45) | 1,350 (49) | 1,770 (54) | 2,420 (61.5) |
| 90 | | | 1,400 (51) | 2,000 (58.5) |
| 95 | | | 1,070 (48) | 1,570 (55.5) |
| 100 | | | | 1,200 (52) |
| Min. boom angle for indicated length (no load) | 43° | 45° | 46° | 49° |
| Max. boom length at 0° boom angle (no load) | 60 ft. | | 60 ft. | |

NOTE: () Boom angles are in degrees. A6-829-101544
 *This capacity based on maximum boom angle.

NOTES:

1. All capacities above the bold line are based on structural strength of boom extension.
2. 26 ft. and 45 ft. boom extension lengths may be used for single line lifting service.
3. Radii listed are for a fully extended boom with the boom extension erected. For main boom lengths less than fully extended, the rated loads are determined by boom angle. Use only the column which corresponds to the boom extension length and offset for which the machine is configured. For boom angles not shown, use the rating of the next lower boom angle.
4. **WARNING:** Operation of this machine with heavier loads than the capacities listed is strictly prohibited. Machine tipping with boom extension occurs rapidly and without advance warning.
5. Boom angle is the angle above or below horizontal of the longitudinal axis of the boom base section after lifting rated load.
6. Capacities listed are with outriggers properly extended and vertical jacks set only.

TMS500E

load charts

18

| | | 26 ft. LENGTH | | 45 ft. LENGTH | |
|--|-----------------|-----------------|-----------------|-----------------|-----|
| Feet | 0° OFFSET | 30° OFFSET | 0° OFFSET | 30° OFFSET | |
| 30 | *8,200 (76) | | | | |
| 35 | 8,200 (73.5) | | *5,250 (76) | | |
| 40 | 8,200 (71) | *5,780 (76) | 5,250 (75) | | |
| 45 | 8,120 (68.5) | 5,780 (73.5) | 4,940 (73) | | |
| 50 | 7,350 (66) | 5,360 (71) | 4,540 (71) | | |
| 55 | 6,060 (63.5) | 4,750 (68) | 4,150 (68.5) | *2,730 (76) | |
| 60 | 5,000 (60.5) | 4,290 (65) | 3,890 (66.5) | 2,730 (74.5) | |
| 65 | 4,120 (57.5) | 3,870 (62) | 3,740 (64) | 2,730 (72) | |
| 70 | 3,390 (54.5) | 3,530 (59) | 3,600 (61.5) | 2,580 (69.5) | |
| 75 | 2,760 (51.5) | 3,200 (56) | 3,470 (59) | 2,520 (67) | |
| 80 | 2,230 (48.5) | 2,590 (52.5) | 3,050 (56.5) | 2,460 (64) | |
| 85 | 1,760 (45) | 2,060 (49) | 2,550 (54) | 2,420 (61.5) | |
| 90 | 1,350 (41) | 1,590 (45) | 2,120 (51) | 2,390 (58.5) | |
| 95 | | 1,180 (40.5) | 1,740 (48) | 2,340 (55.5) | |
| 100 | | | 1,390 (45) | 1,900 (52) | |
| 105 | | | 1,090 (42) | 1,500 (48.5) | |
| 110 | | | | 1,150 (45) | |
| Min. boom angle for indicated length (no load) | | 38° | 36° | 40° | 43° |
| Max. boom length at 0° boom angle (no load) | | 60 ft. | | 60 ft. | |

NOTE: () Boom angles are in degrees.
*This capacity based on maximum boom angle.

A6-829-101566

NOTES:

- All capacities above the bold line are based on structural strength of boom extension.
- 26 ft. and 45 ft. boom extension lengths may be used for single line lifting service.
- Radii listed are for a fully extended boom with the boom extension erected. For main boom lengths less than fully extended, the rated loads are determined by boom angle. Use only the column which corresponds to the boom extension length and offset for which the machine is configured. For boom angles not shown, use the rating of the next lower boom angle.
- WARNING:** Operation of this machine with heavier loads than the capacities listed is strictly prohibited. Machine tipping with boom extension occurs rapidly and without advance warning.
- Boom angle is the angle above or below horizontal of the longitudinal axis of the boom base section after lifting rated load.
- Capacities listed are with outriggers properly extended and vertical jacks set only.

TMS500E

GROVE

THIS CHART IS ONLY A GUIDE AND SHOULD NOT BE USED TO OPERATE THE CRANE. The individual crane's load chart, operating instructions and other instructional plates must be read and understood prior to operating the crane.

load handling

19

Weight Reductions for Load Handling Devices

| 26 ft. Offsettable Boom Extension | |
|--------------------------------------|-----------|
| *Erected | 3,600 lb. |
| 26 ft. - 45 ft. Tele. Boom Extension | |
| *Erected (Retracted) | 4,800 lb. |
| *Erected (Extended) | 6,800 lb. |

*Reduction of main boom capacities
(no deduct required for stowed boom extension)

When lifting over swingaway and/or jib combinations, deduct total weight of all load handling devices reeved over main boom nose directly from swingaway or jib capacity.

| | |
|---------------------|---------|
| Auxiliary Boom Nose | 114 lb. |
|---------------------|---------|

| Hookblocks and Headache Balls: | |
|--------------------------------|-----------|
| 40 Ton, 4 Sheave | 757 lb. + |
| 25 Ton, 3 Sheave | 550 lb. + |
| 15 Ton, 3 Sheave | 500 lb. + |
| 7.5 Ton Overhaul Ball | 345 lb. + |

+ Refer to rating plate for actual weight.

NOTE: All load handling devices and boom attachments are considered part of the load and suitable allowances MUST BE MADE for their combined weights. Weights are for Grove furnished equipment.

Line Pulls and Reeving Information

| Hoists | Cable Specs. | Permissible Line Pulls | Nominal Cable Length |
|--------|--|------------------------|----------------------|
| Main | 5/8" (16 mm) 6x37 Class, EIPS, IWRC Special Flexible Min. Breaking Strength 41,200 lb. | 11,640 lb. | 450 ft. |
| | 5/8" (16 mm) Flex-X 35 Rotation Resistant (Non-rotating) Min. Breaking Strength 61,200 lb. | 11,640 lb. | 450 ft. |

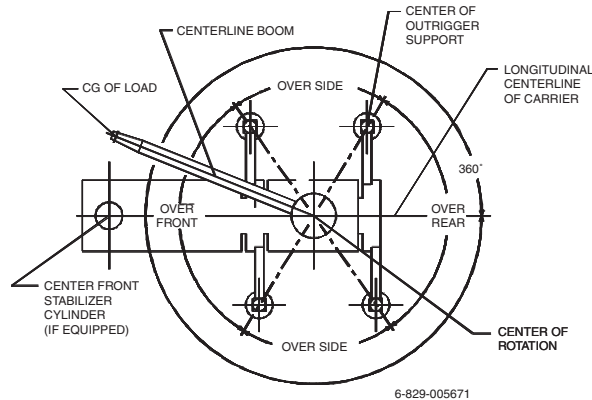
The approximate weight of 5/8" wire rope is 1.0 lb./ft.

Hoist Performance

| Wire Rope Layer | Hoist Line Pulls Available lb.* | Drum Rope Capacity (ft.) | |
|-----------------|---------------------------------|--------------------------|-------|
| | | Layer | Total |
| 1 | 11,640 | 77 | 77 |
| 2 | 10,480 | 85 | 162 |
| 3 | 9,530 | 94 | 256 |
| 4 | 8,730 | 102 | 358 |
| 5 | 8,060 | 111 | 469 |
| 6 | 7,490 | 119 | 588 |

*Max. lifting capacity: 6x37 or 35x7 class = 11,640 lb.

Working Area Diagram



Bold lines determine the limiting position of any load for operation within working areas indicated.

THIS CHART IS ONLY A GUIDE AND SHOULD NOT BE USED TO OPERATE THE CRANE. The individual crane's load chart, operating instructions and other instructional plates must be read and understood prior to operating the crane.

TMS500E

GROVE

Regional Headquarters

Americas

Manitowoc, Wisconsin, USA

Tel: +1 920 684 6621

Fax: +1 920 683 6278

Shady Grove, Pennsylvania, USA

Tel: +1 717 597 8121

Fax: +1 717 597 4062

Regional Offices

Americas

Brazil

Alphaville

Tel: +55 11 3103 0200

Fax: +55 11 4688 2013

Mexico

Monterrey

Tel: +52 81 8124 0128

Fax: +52 81 8124 0129

Europe, Middle East, Africa

Algeria

Hydra

Tel: +21 3 21 48 1173

Fax: +21 3 21 48 1454

Czech Republic

Netvorice

Tel: +420 317 78 9313

Fax: +420 317 78 9314

France

Baudemont

Tel: +33 385 28 2589

Fax: +33 385 28 0430

Cergy

Tel: +33 130 31 3150

Fax: +33 130 38 6085

Decines

Tel: +33 472 81 5000

Fax: +33 472 81 5010

Germany

Langenfeld

Tel: +49 21 73 8909-0

Fax: +49 21 73 8909 30

Hungary

Budapest

Tel: +36 13 39 8622

Fax: +36 13 39 8622

Italy

Parabiago

Tel: +390 331 49 3311

Fax: +390 331 49 3330

Europe, Middle East, Africa

Ecully, France

Tel: +33 472 18 2020

Fax: +33 472 18 2000

Netherlands

Breda

Tel: +31 76 578 3999

Fax: +31 76 578 3978

Poland

Warsaw

Tel: +48 22 843 3824

Fax: +48 22 843 3471

Portugal

Alfena

Tel: +351 229 69 8840

Fax: +351 229 69 8848

Lisbon

Tel: +351 212 109 340

Fax: +351 212 109 349

Russia

Moscow

Tel: +7 495 641 2359

Fax: +7 495 641 2358

U.A.E.

Dubai

Tel: +971 4 3381 861

Fax: +971 4 3382 343

U. K.

Middlesex

Tel: +44 1 895 43 0053

Fax: +44 1 895 45 9500

Sunderland

Tel: +44 191 522 2000

Fax: +44 191 522 2052

Asia – Pacific

Australia

Melbourne

Tel: +61 3 9 336 1300

Fax: +61 3 9 336 1322

Sydney

Tel: +61 2 9 896 4433

Fax: +61 2 9 896 3122

Asia – Pacific

Shanghai, China

Tel: +86 21 51113579

Fax: +86 21 51113578

Singapore

Tel: +65 6264 1188

Fax: +65 6862 4142

China

Beijing

Tel: +86 10 58674761

Fax: +86 10 58674760

Xi'an

Tel: +86 29 87891465

Fax: +86 29 87884504

Korea

Seoul

Tel: +82 2 3439 0400

Fax: +82 2 3439 0405

Philippines

Makati City

Tel: +63 2 844 9437

Fax: +63 2 844 4712

Factories

Brazil

Alphaville

China

Zhangjiagang

France

Charlieu

La Clayette

Moulins

Germany

Wilhelmshaven

India

Calcutta

Pune

Italy

Niella Tanaro

Portugal

Baltar

Fânzeres

Slovakia

Saris

U.S.A.

Manitowoc

Port Washington

Shady Grove



Constant improvement and engineering progress make it necessary that we reserve the right to make specification, equipment and price changes without notice. Illustrations shown may include optional equipment and accessories, and may not include all standard equipment.