



GROVE
CRANE

A GROVE WORLDWIDE COMPANY

IND1012

Material Handling Hydraulic Crane



Superstructure specifications

Boom	14 ft. - 30 ft. (4.3m - 9.1m) three section full power boom, telescoping sections slide on adjustable and replaceable Nylatron wear pads. Maximum Tip Height: 36 ft. (10.9m).
*Optional Booms	18 ft. - 42 ft. (5.5m - 12.8m) three section full power boom. Maximum Tip Height: 48 ft. (14.6m). 24 ft. - 60 ft. (7.3m - 18.3m) 3 section full power boom. Maximum Tip Height: 66 ft. (20.1m).
*Optional Jib (30', 42', 60' Boom)	20 ft. (6.0m) non-stowable jib by special order only, offsettable at 0° or 30°. Maximum Tip Height: 83 ft. (25.3m).
Boom Nose	Three steel sheaves with heavy duty tapered needle bearings and removable pin-type rope guards.
Boom Elevation	Two double acting hydraulic cylinders with integral holding valve provides elevation from 0° to 70°.
Load Moment & Anti-Two Block System	Standard load moment and anti-two block system with audio-visual warning and control lever lockout. The system provides a high-visibility readout that displays boom length, boom angle, radius, tip height, relative load moment, maximum permissible load, actual load and warning of impending two-block condition.
Swing	Ball bearing swing circle with 270° rotation. Grove planetary drive with automatic type multi-disc swing brake. *Optional 140° rotation with non-supply of rear outriggers. *Optional 360° rotation.

HYDRAULIC SYSTEM

Pumps	Two main gear pumps. Combined capacity 54.4 GPM (206 LPM) driven by carrier engine through P.T.O.
Valves	Precision four way double acting control valves, four individual valve sections for multiple crane functions.
Filter	Return line type, full flow with bypass protection, 10 micron rated replaceable cartridge.
Reservoir	60 gallons (227 L) with spin-on breather.

HOIST SPECIFICATIONS

Hydraulic, Braden Model PD12C, power up and down equal speed.

Hoist Braden PD12C		
Maximum single line speed	Bottom layer	138 FPM (42.1m/min)
	Intermediate layer	168 FPM (51.2m/min)
	Top layer	198 FPM (60.4m/min)
Maximum single line pull	Bottom layer	10,030 lbs. (4550 kg)
	Intermediate layer	8,240 lbs. (3738 kg)
	Top layer	6,980 lbs. (3166 kg)
Maximum permissible single line pull	7,400 lbs. (3356 kg)	
5:1 strength factor	with 9/16 in. (14mm) 18x19 class	
Maximum rope stowage	398 ft. (121m)	
	9/16 in. (14mm)	
	Note: 300 ft. (91m) length of 9/16 in. (14mm) wire rope supplied with basic standard unit.	

**Denotes optional equipment*

Carrier specifications

Frame	High strength steel, all welded reinforced construction.
Counterweight	Integral with frame.
Outriggers	Hydraulic cantilever arm type at all four corners with integral check valves on each extension cylinder. Integral are steel outrigger float pads - 10 in. x 12 in. (254mmx305mm). Maximum outrigger pad load 55,565 lbs. (25204 kg).
Outrigger Controls	Individual controlled from the operator cab, activation requires two hand operation to prevent accidental retraction..
Engine	GM4-53N diesel, 127 hp (95 kw) @ 2,400 RPM. Maximum torque 270 ft. lbs. (373 kg/m) @ 2,400 RPM.
Optional Engine	Caterpillar 3208 diesel, 150 hp (130 kw) @ 2,800 RPM. Maximum torque 329 ft. lbs. (574 kg/m) @ 1,300 RPM.
Fuel Tank Capacity	43 gallons (163 L)
Electrical System	One 12 volt, 975 CCA @ 0°F.
Drive	4 x 2
Steering	Rear: Full hydraulic power controlled by steering wheel.
Transmission	Fully automatic transmission with torque converter, 4 speeds forward and 1 reverse.
Optional Transmission	Powershift transmission with torque converter drive, 4 speeds forward and reverse.
Axles	Front: Double reduction drive axle (rigid mounted to the chassis). Rear: Wide track steer axle oscillates up to 10 in. (254mm).
Oscillation	On rear axle, controlled from operator cab.
Lockouts	
Tires	Front: (4) 12x20-16PR (tube type - NHS-E-3). Rear: (2) 12x20-16PR (tube type - SRF).
Brakes	Service - air on front axle. Drum and shoe type. Spring applied parking brake on front wheels.
Lights	Full lighting package, including turn indicators, head, tail, brake and hazard warning lights.

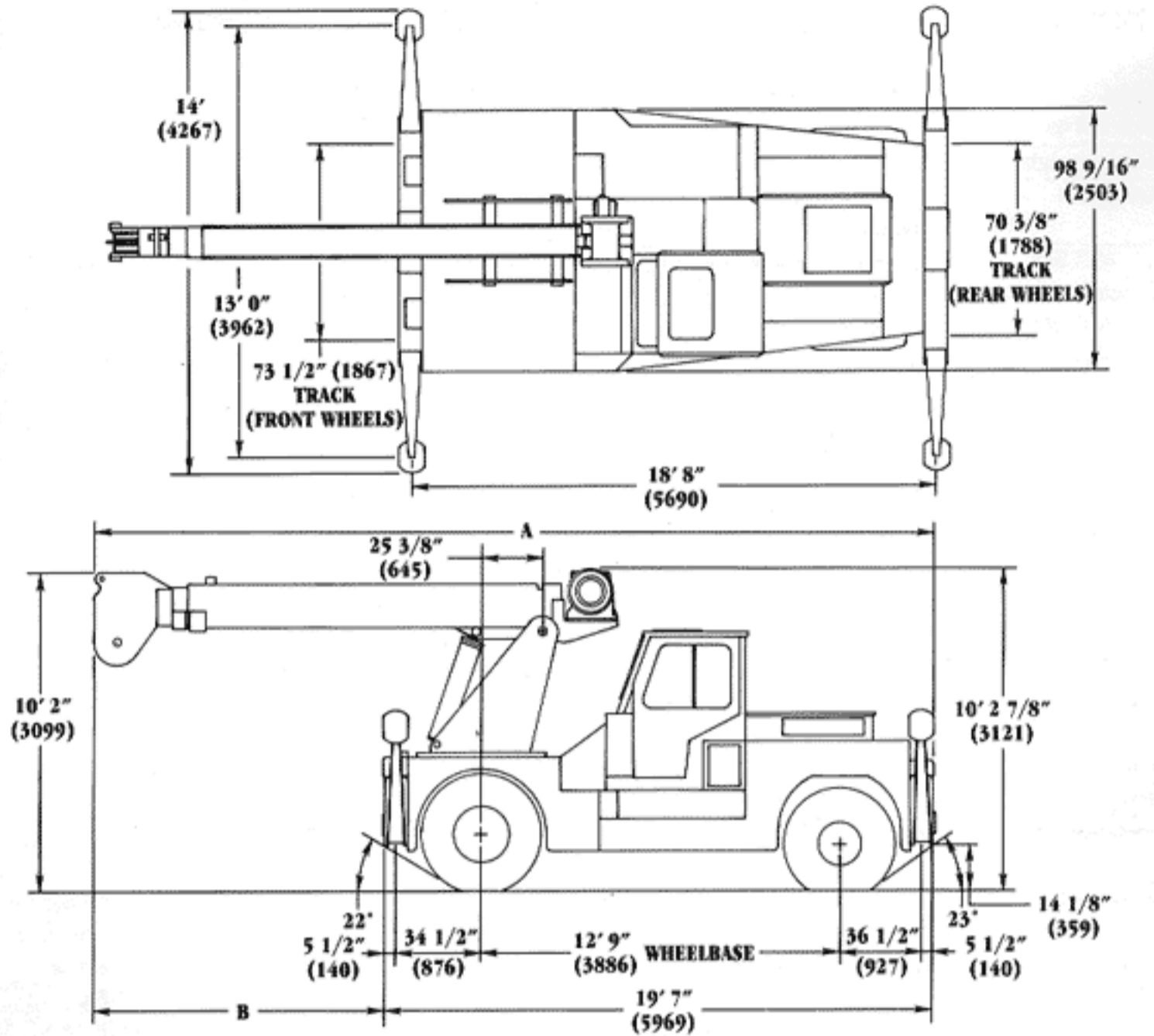
Cab	Standard frame mounted fully enclosed cab; full vision, all steel fabricated with tinted safety glass throughout, skylight, right and left doors, sliding left and right side windows, electric windshield wiper and circulating air fan, includes all crane function and driving controls, engine monitoring instrumentation, fire extinguisher and deluxe vinyl seat with seat belt.
Maximum Speed	15.5 MPH (24.9 kph).
Maximum Gradeability	48% (Theoretical based on 56,100 lbs. [25,447 kg] GVW).
BASIC STANDARD MACHINE	
Gross Vehicle Weight & Axle Loads	Front: 31,000 lbs. (14062 kg) Rear: 25,100 lbs. (11385 kg) G.V.W.: 56,100 lbs. (25447 kg)
Miscellaneous Standard Equipment	Fenders and decking, back-up alarm, light package, lifting lugs.
Optional Equipment	<ul style="list-style-type: none"> * No spin front axle * Front/rear pintle hook * High water temp./low oil pressure A/V warning system * Hookblocks * Tool kit * Low profile boom nose * Cold start aid * Spare tire assembly * 360° flashing light * Engine block heater * Tow winch, 9,000 lbs. (4082 kg) line pull * Spark arrester muffler * Hot water heater

**Denotes optional equipment*

Dimensions

IND 1012

BOOM	A	B
14' - 30' 3 SEC.	28' 5 1/4" (8668)	8' 10 1/4" (2699)
18' - 42' 3 SEC.	32' 5 1/4" (9887)	12' 10 1/4" (3918)
24' - 60' 3 SEC.	38' 5 1/4" (11716)	18' 10 1/4" (5747)
TURNING RADIUS-16'7"(5055)		



Constant improvement and engineering progress make it necessary that we reserve the right to make specification, equipment, and price changes without notice. Illustrations shown may include optional equipment and accessories and may not include all standard equipment.

Grove Worldwide - World Headquarters
1565 Buchanan Trail East
Shady Grove, Pennsylvania 17256
Phone: (717) 597-8121 Fax: (717) 597-4062

Grove North America
P. O. Box 21, Shady Grove, Pennsylvania 17256
Western Hemisphere, Asia/Pacific
Phone: (717) 597-8121 Fax: (717) 597-4062

Grove Europe*
Sunderland, England SR4 6TT
Europe, Africa, Middle East, Near East
Phone: (0191) 565-6281 Fax: (0191) 564-0442

* Grove Europe Limited, Registered in England, Number 1845128, Registered office, Crown Works, Pallion, Sunderland, Tyne & Wear, England SR4 6TT.

Distributed By: