

"Bringing Innovation to Construction"



This versatile unit is setting the global standard in self erecting tower cranes. Some of the key features are:

- Jib 147' 8", clearance under hook 91' 10"
- Capacity at inner limit 11,025 lbs
- Capacity at outer limit is 2,425 lbs
- Power lift offers up to 20% more capacity when needed
- Can be luffed at 10° or 30°
- No concrete base is required
- Footprint is only 13' 9" x 13' 9"
- Galvanized structure
- Site or generator powered
- Radio remote control
- Full set up in less than one day
- Telescoping tower

Full details can be found at our website or by calling our toll free number. Dealer inquires welcome

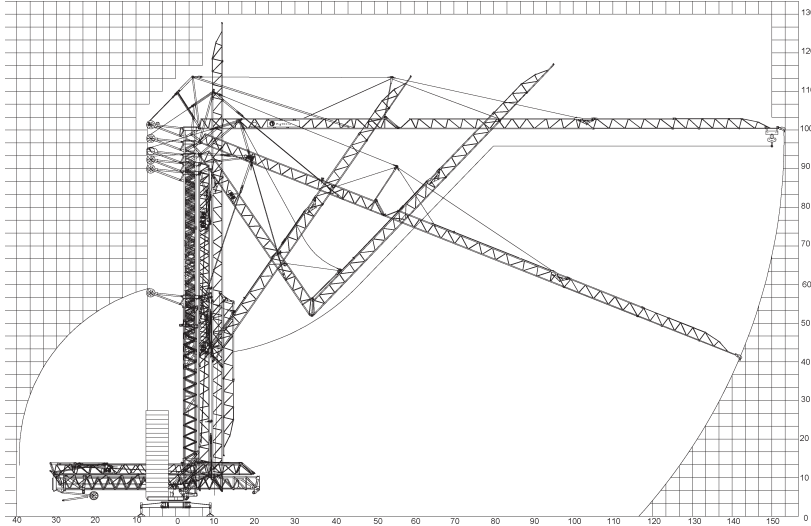
Koenig Cranes North America

2190 A-Carpenter Street
P.O. Box 2304, Abbotsford
BC Canada V2T 4X2

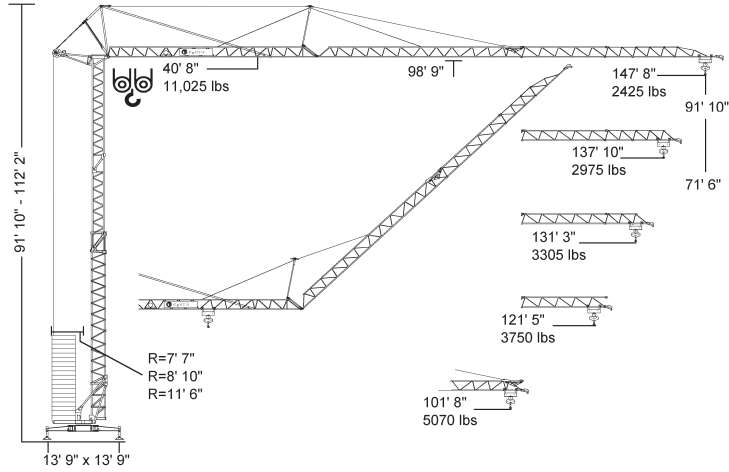
Tel 604-852-2192
Fax 604-852-4421
Email info@koenigcranes.com

K45T Technical Data

Erection



Rigging



Radius and Capacity

Radius	Max Capacity	ft x lbs												
		T	66	72	79	85	92	98	102	112	121	131	138	148
148	2.8	76	5512	5512	5247	4784	4387	4056	3902	3505	3197	2910	2756	2535
138	2.8	83	5512	5512	5512	5335	4916	4541	4365	3946	3571	3263	3085	
131	2.8	86	5512	5512	5512	5512	5137	4740	4564	4123	3748	3415		
121	2.8	89	5512	5512	5512	5512	5291	4894	4718	4255	3858			
101	2.8	96	5512	5512	5512	5512	5379	5181						
30°	Radius (ft)	58	63	69	74	80	86	89	97	106	114	120	129	
30°	Hook Height (ft)	121	125	128	131	135	138	139	144	149	154	157	162	

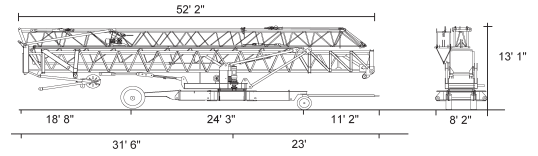
Radius	Max Capacity	ft x lbs													
		T	43	52	62	72	82	92	102	112	121	131	138	148	
148	2.8	73	5512	5512	5512	5512	4894	4277	3792	3395	3086	2800	2646	2425	
	5.5	41	10604	8267	6746	5688	4894	4277	3792	3395	3086	2800	2646	2425	
138	2.8	80	5512	5512	5512	5512	5489	4806	4255	3836	3461	3153	2975		
	5.5	45	11023	9215	7540	6349	5489	4806	4255	3836	3461	3153	2975		
131	2.8	83	5512	5512	5512	5512	5512	5026	4453	4012	3638	3305			
	5.5	46	11023	9634	7870	6636	5732	5026	4453	4012	3638	3305			
121	2.8	86	5512	5512	5512	5512	5512	5181	4608	4145	3750				
	5.5	48	11023	9943	8135	6856	5908	5181	4608	4145	3750				
101	2.8	93	5512	5512	5512	5512	5512	5512	5070						
	5.5	52	11023	10891	8907	7518	6504	5710	5070						

All specifications subject to change

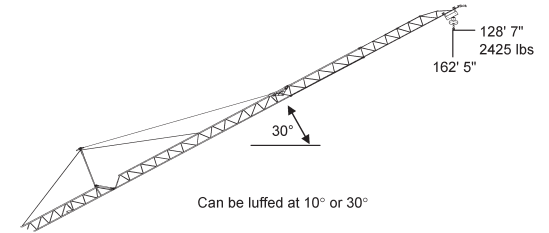
Weight

Dead weight approx.	18.2 T	Transport weight approx.	20.8 T
Counterweight	R=7' 7"	43.7 T	
	R=8' 10"	38.8 T	
	R=11' 6"	34 T	

Transportation by Road



Luffing



Reactions

	In service	Out of service
Reactions	32 T	28.1 T

Speeds

	Step	ft/min.	lbs	kW
	1	19 - 10	5512 - 11023	3.75
	2	85 - 43	5512 - 11023	15
	3	171 - 85	2975 - 5950	17
		0 - 197		3.0
	0-0.8	U/min. sl./min. tr./min.		2 x 3.0

Cross section of cable up to 5x16"
 Operation voltage 400 V
 Frequency 50 Hz
 Power requirement 23.7 kVA (28 kW)