

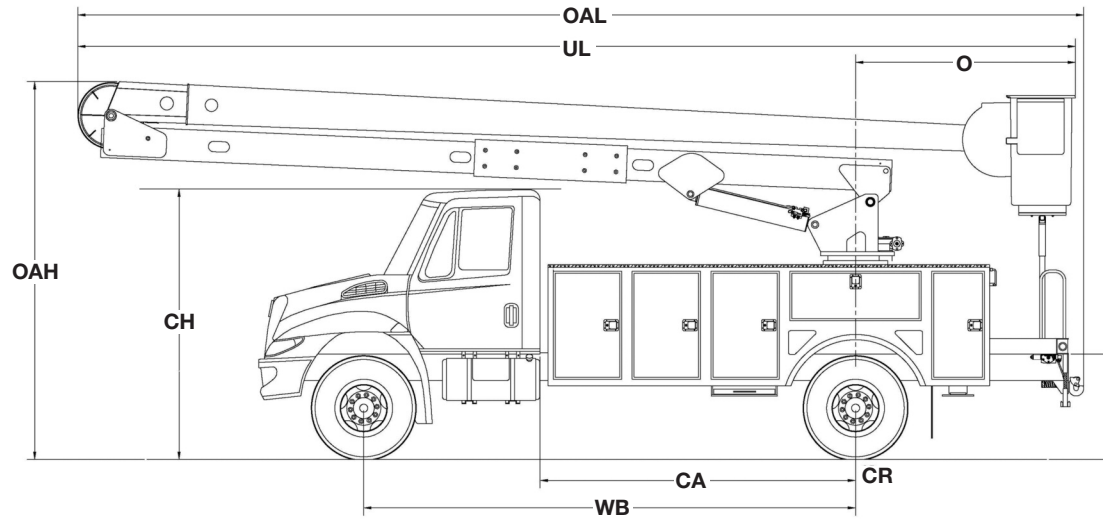


# TEREX®

## FC SERIES Hi-Ranger Non-Overcenter Articulating Aerial Device

### AERIAL DEVICES

Terex® Hi-Ranger Aerial Devices are known throughout the industry. They come with a long history featuring quality and innovative design.



Measurements	FC40		FC48		FC52		FC55		FC60	
	ORA	BC	ORA	BC	ORA	BC	ORA	BC	ORA	BC
Typical Frame Height (FH)	40 in. (101.6 cm)		40 in. (101.6 cm)		40 in. (101.6 cm)		40 in. (101.6 cm)		40 in. (101.6 cm)	
Typical Cab Height (CH)	108 in. (274.3 cm)		108 in. (274.3 cm)		108 in. (274.3 cm)		108 in. (274.3 cm)		108 in. (274.3 cm)	
Offset (O)	81.0 in. (205.7 cm)		81.0 in. (205.7 cm)		81.0 in. (205.7 cm)		81.0 in. (205.7 cm)		81.0 in. (205.7 cm)	
Overall Height (OAH)	11' 3.5" (3.4 m)	12' 8" (3.9 m)	11' 3.5" (3.4 m)	12' 8" (3.9 m)	11' 3.5" (3.4 m)	12' 8" (3.9 m)	11' 3.5" (3.4 m)	12' 8" (3.9 m)	11' 3.5" (3.4 m)	12' 8" (3.9 m)
Overall Length (OAL)	23' 7" (7.2 m)	27' 8" (8.4 m)	27' 6" (8.4 m)	31' 7" (11.5 m)	29' 10" (9.1 m)	33' 11" (10.3 m)	31' 3" (9.5 m)	35' 4" (10.8 m)	33' 8" (10.3 m)	37' 9" (11.5 m)
Unit Length (UL)	23' 7" (7.2 m)		27' 6" (8.4 m)		29' 10" (9.1 m)		31' 3" (9.3 m)		33' 8" (10.3 m)	
Center of Rotation (H)	0 in.	58 in. (147.3 cm)	0 in.	76 in. (193 cm)	0 in.	76 in. (193 cm)	0 in.	82 in. (208.3 cm)	0 in.	94 in. (238.8 cm)
Cab to Axle (CA)	84 in. (213.4 cm)		102 in. (259.1 cm)		102 in. (259.1 cm)		108 in. (274.3 cm)		120 in. (304.8 cm)	
Wheel Base (WB)	156 in. (396.2 cm)		174 in. (442 cm)		174 in. (442 cm)		180 in. (457.2 cm)		192 in. (487.7 cm)	
Front Axle (GAWR)	7,000 lb. (3,175 kg)		8,000 lb. (3,629 kg)		9,000 lb. (4,082 kg)		9,000 lb. (4,082 kg)		10,000 lb. (4,536 kg)	9,000 lb. (4,082 kg)
Rear Axle (GAWR)	15,000 lb. (6,804 kg)		15,000 lb. (6,804 kg)		15,000 lb. (6,804 kg)	17,000 lb. (7,711 kg)	15,000 lb. (6,804 kg)	17,000 lb. (7,711 kg)	15,000 lb. (6,804 kg)	9,000 lb. (4,082 kg)
Gross Vehicle Weight Rating (GVWR)	22,000 lb. (9,979 kg)		23,000 lb. (10,433 kg)		24,000 lb. (10,886 kg)	25,000 lb. (11,340 kg)	24,000 lb. (10,886 kg)	26,000 lb. (11,793 kg)	25,000 lb. (11,340 kg)	26,000 lb. (11,793 kg)
Recommended Weight For Stability	15,500 lb. (7,031 kg)		19,000 lb. (8,618 kg)		21,000 lb. (9,525 kg)		23,000 lb. (10,433 kg)		21,000 lb. (9,525 kg)	
Frame Section Modulus	14.5 in <sup>3</sup>		14.5 in <sup>3</sup>		14.5 in <sup>3</sup>		14.5 in <sup>3</sup>		14.5 in <sup>3</sup>	
Frame Yield Strength	50,000 psi		50,000 psi		50,000 psi		50,000 psi		50,000 psi	
Frame RBM	725,000 in-lbs		725,000 in-lbs		725,000 in-lbs		725,000 in-lbs		725,000 in-lbs	



# TEREX®

500 Oakwood Drive  
PO BOX 1150  
Watertown, SD 57201-6150  
USA

Phone: (605) 882-4000  
Facsimile: (605) 882-1842  
www.terexutilities.com  
E-mail: utilities.info@terex.com

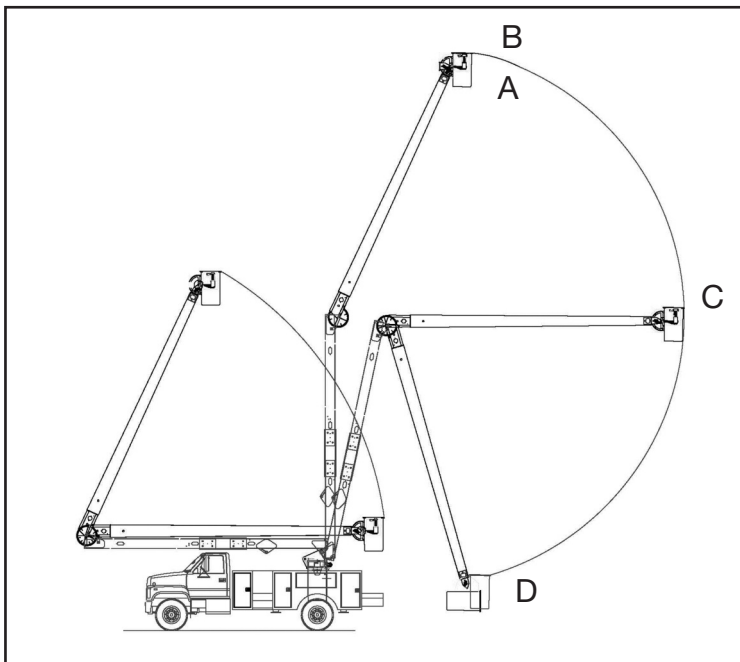
**Distributed By:**

# FC SERIES

## Hi-Ranger Non-Overcenter, Articulating Aerial Device

### STANDARD EQUIPMENT

- End-Mount 24" x 48" x 42" Two-Person Platform
- Platform Capacity up to 700 lb (318 kg)
- Control Plus "3-D" Single Stick at Platform
- Safety Harness With Attached Lanyard
- Continuous Unrestricted Worm Gear Rotation
- Category "C" Rating Per ANSI A92.2
- Rectangular, Bi-Axial Epoxy Resin, Filament Wound Fiberglass Booms
- Individual Lever Lower Controls
- 65° Of Upper Boom Articulation
- 102° Of Lower Boom Articulation
- Compensated Boom Design
- Hydraulic / Mechanical Boom Compensation System
- Pilot-Operated, Closed-Center Hydraulic System
- Positive Leveling System Utilizing Fiberglass Rods and High Strength Cables
- 32 Gallon Hydraulic Oil Reservoir
- Padded Boom Rests with Upper Boom Tie Down
- Boom Interlock
- Moving Outrigger Alarm



### CAPACITIES & DIMENSIONAL DATA

MODEL	A	B	C		D
	Bottom of Platform Height	Working Height	Side Reach	Platform Capacities	Bottom of Platform to Ground
FC40	41.6 ft. (12.7 m)	46.6 ft. (14.2 m)	27.5 ft. (8.4 m)	700 lb. (318 kg)	47.0 in. (119.4 cm)
FC48	48.6 ft. (14.8 m)	53.6 ft. (16.0 m)	32.7 ft. (10.0 m)	700 lb. (318 kg)	50.0 in. (127.0 cm)
FC52	52.6 ft. (16.0 m)	57.6 ft. (17.6 m)	35.6 ft. (10.9 m)	700 lb. (318 kg)	51.0 in. (129.5 cm)
FC55	56.0 ft. (17.1 m)	61.0 ft. (18.6 m)	37.8 ft. (11.5 m)	700 lb. (318 kg)	52.0 in. (132.1 cm)
FC60	60.0 ft. (18.3 m)	65.0 ft. (19.8 m)	40.3 ft. (12.3 m)	500 lb. (227 kg)	53.0 in. (134.6 cm)

### OPTIONAL EQUIPMENT

- End-Mount 24" x 30" x 42" One-Person Platform
- Various Platform Covers
- Liners With or Without Steps
- Hydraulic Platform Rotators
- Category "A" or "B" Rating Per ANSI A92.2
- Lower Boom Lifting Eye
- Automatic Upper Boom Latch
- 10' Longitudinal Hydraulic Lift
- Hydraulic Tool Outlets
- Pressure Compensated, Variable Volume Pumps
- Engine Stop/Start
- Auxiliary Power
- Auxiliary Let Down System
- Boom/Boom Stow Interlock
- Boom Storage Warning Light
- Outrigger Sag Light
- Various Types of Outriggers
- Truck Grounding Cable & Clamp
- Hybrid Enable
- HyPower™ Hybrid System by Terex®

Effective Date: March, 2010. Product specifications and prices are subject to change without notice or obligation. The photographs and/or drawings in this document are for illustrative purposes only. Refer to the appropriate Operator's Manual for instructions on the proper use of this equipment. Failure to follow the appropriate Operator's Manual when using our equipment or to otherwise act irresponsibly may result in serious injury or death. The only warranty applicable to our equipment is the standard written warranty applicable to the particular product and sale and Terex makes no other warranty, express or implied. Products and services listed may be trademarks, service marks or trade-names of Terex Corporation and/or its subsidiaries in the USA and other countries. All rights are reserved. Terex® is a registered trademark of Terex Corporation in the USA and many other countries. Copyright 2010 Terex Corporation.