

PK 29002

Performance

PALFINGER



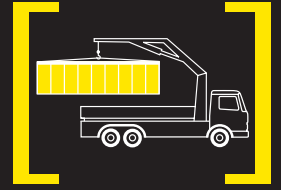
POWER LINK PLUS – THE REVOLUTION
IN CRANE WORKING!



THE PK 29002: IT CAN HANDLE EVEN EXTRA-DIFFICULT JOBS – THANKS TO POWER LINK PLUS

The PK 29002 *Performance* stands out by virtue of its superior crane geometry: Thanks to Power Link Plus it achieves a movement geometry of 195°. Together with its endless slewing mechanism and the 8 hydraulic extensions it is therefore the leading crane in its class.

And what's more: As a *Performance* crane with the Advanced Package it offers a compact design and equipment which increase working efficiency.



FROM WHICHEVER ANGLE YOU LOOK AT IT, A REAL MULTI-TALENT



A TYPICAL PERFORMANCE CRANE: SYNERGY OF FUNCTION AND DESIGN

Endless slewing mechanism

The endless slewing mechanism fitted as standard together with the slewing ring permits an unrestricted radius of action. As a result the crane works much more quickly and cost-efficiently.



Return oil utilisation

The high speed of the extension system is impressive. It results from return oil utilization feature, which is installed as standard, and the generously dimensioned hydraulic pipes. This makes for increased efficiency during all types of working!



Functional Design

- Enclosure of the entire electronic system
- Enclosure in the area of the control valve
- Enclosure of the hoses behind the crane column



Load-holding valves

They prevent the crane boom from dropping and are fitted as standard onto the slewing mechanism, elevating arm, and extension cylinders. The valves are positioned in such a way that they are protected from being damaged.



Central lubrication

For all grease points on the base frame.



Advanced Package

- Oil cooler installed
- Electronic HPLS (High Power Lifting System)
- PALFINGER radio remote control with LED display
- PALTRONIC 50
- Functional Design
- External 200 litre additional tank

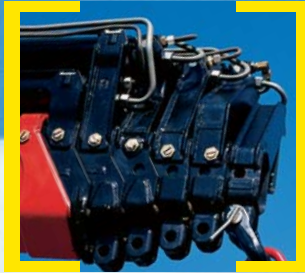


Control valve

In combination with the PALFINGER radio remote control system the load-sensing proportional valve makes for highly sensitive crane control.



THE ADVANCED PACKAGE EXPANDS YOUR POSSIBILITIES



Adjustable slide blocks

These ensure optimal lateral guidance of the extension system.

Power Link Plus

PALFINGER has specially developed this knuckle boom so that it can be tilted upwards by 15 degrees. It stands out by virtue of the excellent movement geometry. Even in the most restricted spaces, difficult crane jobs can be carried out with ease.

AOS

The Active Oscillation Suppression system, which is available exclusively from PALFINGER, compensates for jolts and sharp stress cycles caused by crane operation. Because oscillations are eradicated, the crane can work with pin-point accuracy much more quickly and therefore more cost-efficiently.



Hose equipment for accessories

With this option you can provide the oil supply to accessories. The hoses are routed in compact troughs and plastic link chains. They are therefore very well protected.



Extension system

- The extension cylinders are guided by using Jordal rails and rollers.
- Height compensation of the extension cylinders.

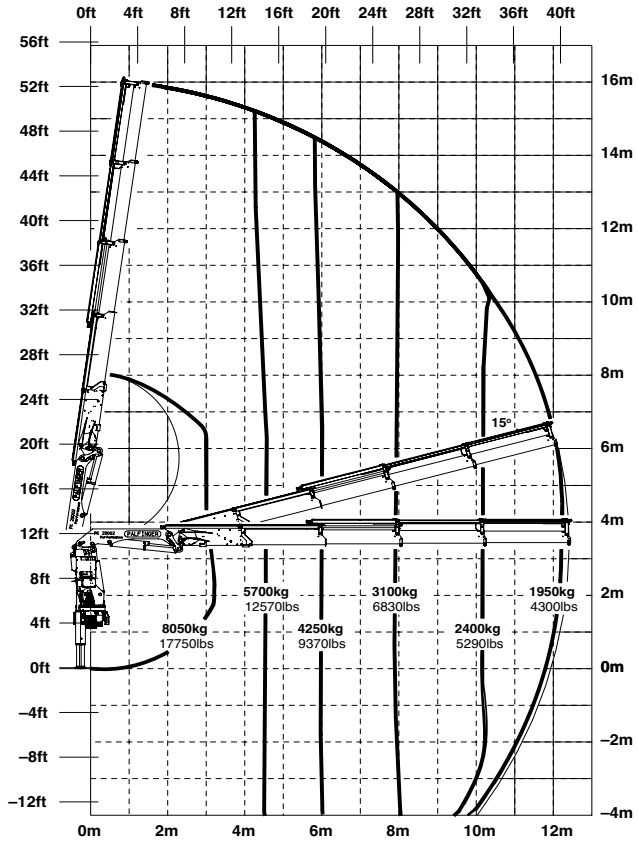


Outriggers

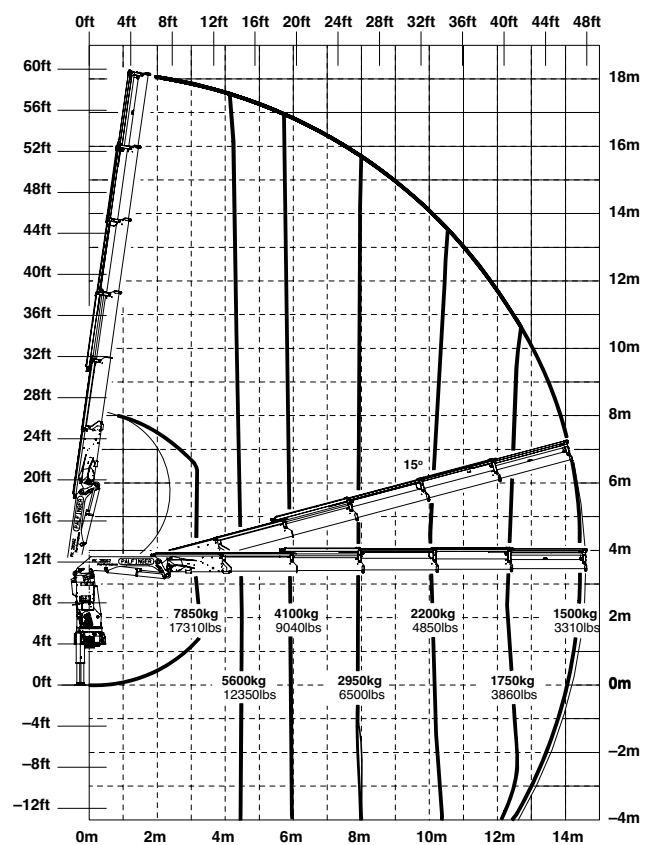
The 5.6 m hydraulic outrigger system installed as standard ensures good stability. As an option a 6.6 m telescopic outrigger is available. The pipework to the support cylinders is internally routed in the outriggers, providing a high level of protection from damage at all times. On request, the outriggers can be supplied with support cylinders that swivel up hydraulically through 180°.

PK 29002 Performance

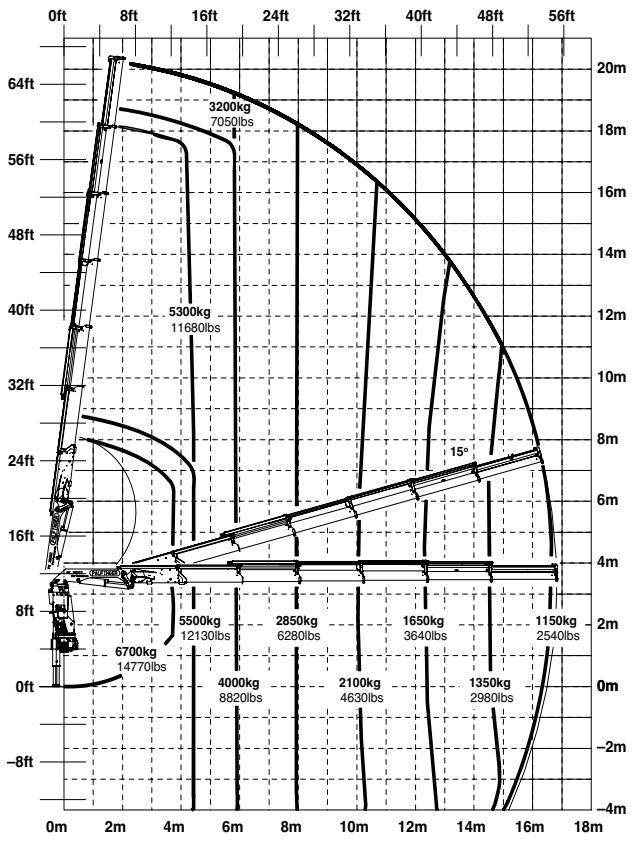
C



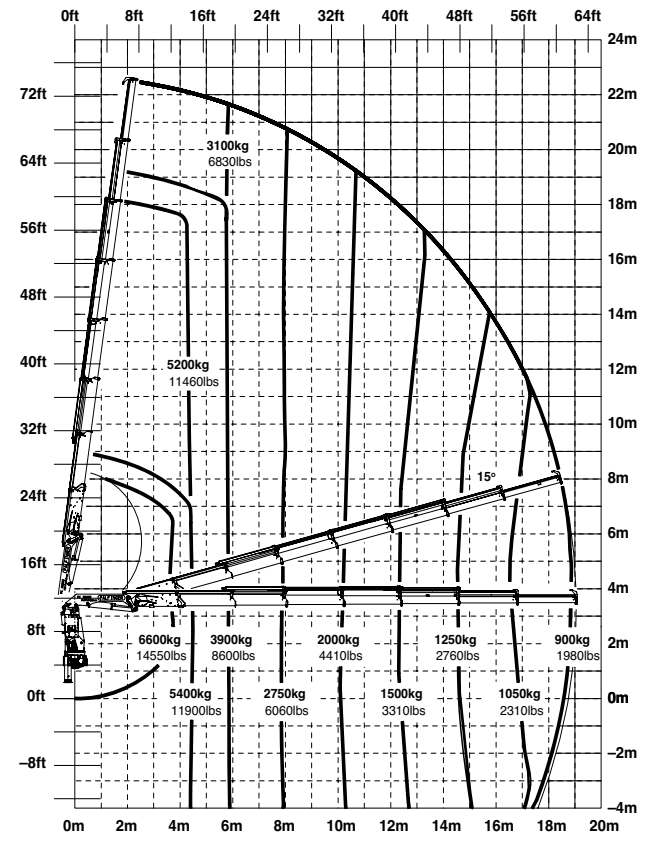
D



E



F



CONVINCING PERFORMANCE

Max. lifting capacities

The outreaches stated are with a boom angle of 20° and are therefore not the maximum.

PK 29002 Performance A			
Max. lifting capacities 8500 kg/18740 lbs			
Outreach		Capacity	
hydraulic			
4.6 m	15' 1"	6010 kg	13250 lbs
6.0 m	19' 8"	4560 kg	10050 lbs
7.9 m	25' 11"	3460 kg	7630 lbs

PK 29002 Performance B			
Max. lifting capacities 8300 kg/18300 lbs			
Outreach		Capacity	
hydraulic			
4.6 m	15' 1"	5860 kg	12920 lbs
6.0 m	19' 8"	4400 kg	9700 lbs
7.9 m	25' 11"	3290 kg	7250 lbs
10.1 m	33' 2"	2560 kg	5640 lbs

PK 29002 Performance C			
Max. lifting capacities 8050 kg/17750 lbs			
Outreach		Capacity	
hydraulic			
4.6 m	15' 1"	5710 kg	12590 lbs
6.0 m	19' 8"	4230 kg	9330 lbs
7.9 m	25' 11"	3110 kg	6860 lbs
10.1 m	33' 2"	2370 kg	5220 lbs
12.2 m	40' 0"	1930 kg	4250 lbs
manual			
14.4 m	47' 3"	1560 kg	3440 lbs
16.6 m	54' 6"	1270 kg	2800 lbs
18.8 m	61' 8"	1070 kg	2360 lbs

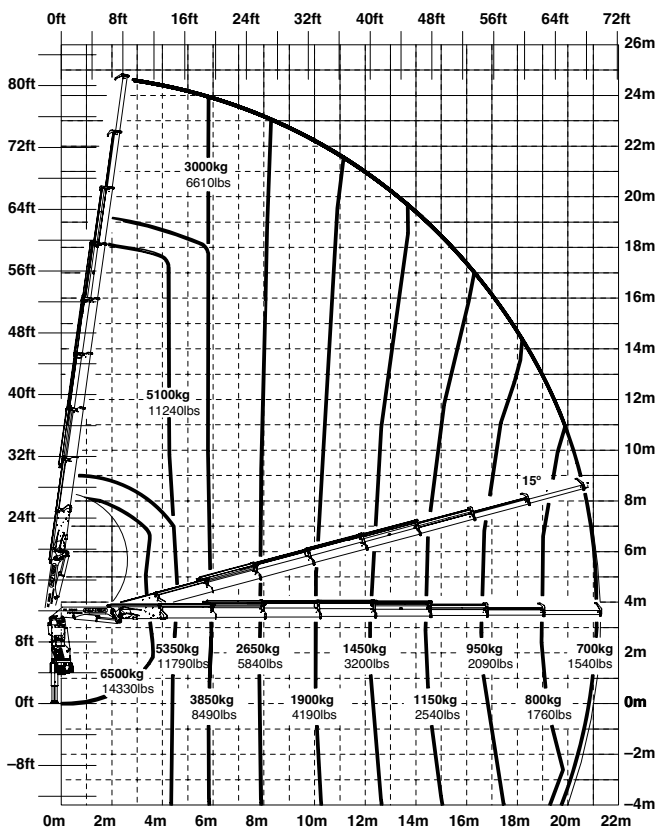
PK 29002 Performance D			
Max. lifting capacities 7850 kg/17310 lbs			
Outreach		Capacity	
hydraulic			
4.6 m	15' 1"	5590 kg	12320 lbs
6.0 m	19' 8"	4100 kg	9040 lbs
7.9 m	25' 11"	2960 kg	6530 lbs
10.1 m	33' 2"	2210 kg	4870 lbs
12.2 m	40' 0"	1760 kg	3880 lbs
14.4 m	47' 3"	1480 kg	3260 lbs
manual			
16.7 m	54' 9"	1210 kg	2670 lbs
18.8 m	61' 8"	1010 kg	2230 lbs
21.0 m	68' 11"	850 kg	1870 lbs

PK 29002 Performance E			
Max. lifting capacities 6700 kg/14770 lbs			
Outreach		Capacity	
hydraulic			
4.6 m	15' 1"	5500 kg	12130 lbs
6.0 m	19' 8"	3990 kg	8800 lbs
7.9 m	25' 11"	2840 kg	6260 lbs
10.1 m	33' 2"	2090 kg	4610 lbs
12.2 m	40' 0"	1630 kg	3590 lbs
14.4 m	47' 3"	1350 kg	2980 lbs
16.7 m	54' 9"	1160 kg	2560 lbs
manual			
18.8 m	61' 8"	960 kg	2120 lbs
21.0 m	68' 11"	810 kg	1790 lbs
23.0 m	75' 6"	570 kg	1260 lbs

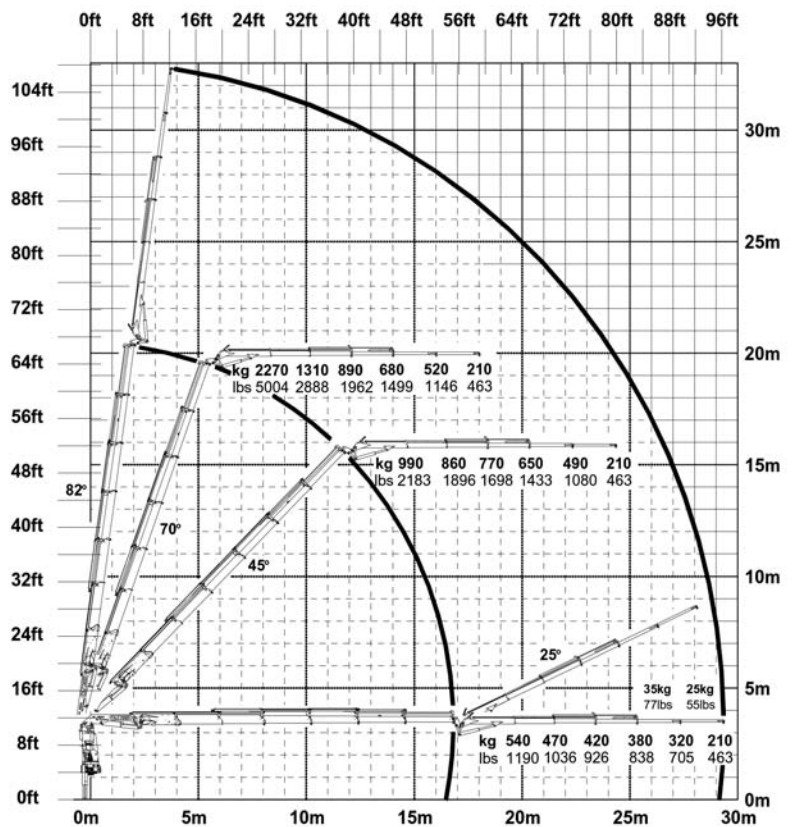
PK 29002 Performance F			
Max. lifting capacities 6600 kg/14550 lbs			
Outreach		Capacity	
hydraulic			
4.6 m	15' 1"	5420 kg	11950 lbs
6.0 m	19' 8"	3910 kg	8620 lbs
7.9 m	25' 11"	2740 kg	6040 lbs
10.1 m	33' 2"	1980 kg	4370 lbs
12.2 m	40' 0"	1520 kg	3350 lbs
14.4 m	47' 3"	1230 kg	2710 lbs
16.7 m	54' 9"	1040 kg	2290 lbs
18.9 m	62' 0"	910 kg	2010 lbs
manual			
21.1 m	69' 3"	760 kg	1680 lbs
23.1 m	75' 9"	570 kg	1260 lbs

PK 29002 Performance G			
Max. lifting capacities 6500 kg/14330 lbs			
Outreach		Capacity	
hydraulic			
4.6 m	15' 1"	5360 kg	11820 lbs
6.0 m	19' 8"	3830 kg	8440 lbs
7.9 m	25' 11"	2660 kg	5860 lbs
10.1 m	33' 2"	1890 kg	4170 lbs
12.2 m	40' 0"	1430 kg	3150 lbs
14.4 m	47' 3"	1140 kg	2510 lbs
16.7 m	54' 9"	940 kg	2070 lbs
18.9 m	62' 0"	800 kg	1760 lbs
21.1 m	69' 3"	710 kg	1570 lbs
manual			
23.1 m	75' 9"	570 kg	1260 lbs

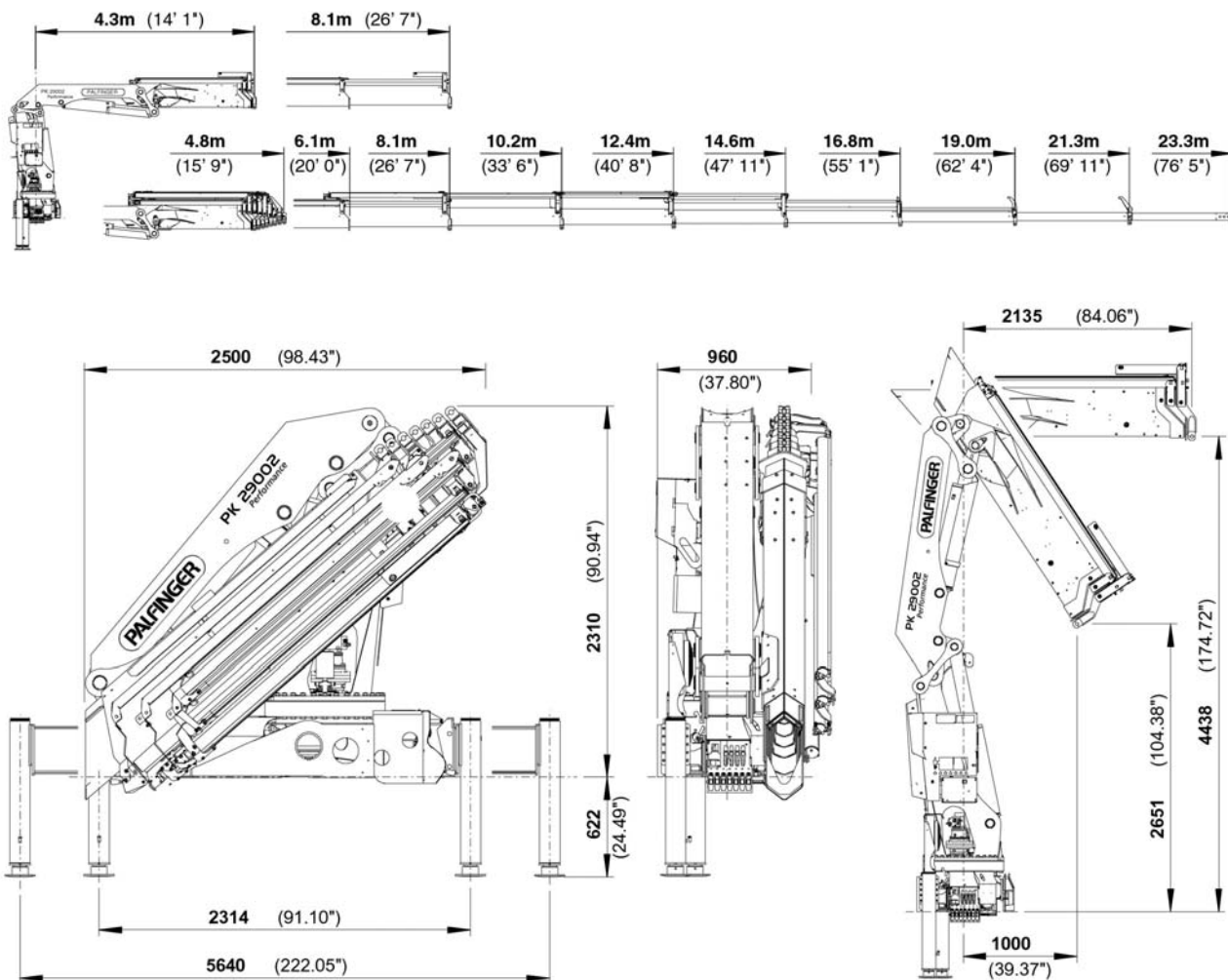
G



E PJ060B



DESIGN WHICH PAYS OFF



PK 29002 Performance	
Technical Specifications (EN 12999 H1-B3)	
Max. lifting moment	28.3 mt/277.6 kNm 204670 ft.lbs
Max. lifting capacity	8500 kg/83.4 kN 18740 lbs
Max. hydraulic outreach	21.3 m 69' 11"
Max. outreach (with fly-jib)	29.3 m 96' 2"
Slewing angle	endless

PK 29002 Performance		
Standard crane		
Slewing torque	3.3 mt/32.4 kNm	23890 ft.lbs
Outreach	8.1 m 26' 7"	
Stabilizer spread standard	5.6 m 18' 4"	
Stabilizer spread max.	6.6 m 21' 8"	
Fitting space required	0.96 m 3' 2"	
Width folded	2.5 m 8' 2"	
Max. operating pressure	330 bar	4785 psi
Recommended pump capacity with radio remote control and LS-system	from 80 l/min 17.6 imp.gal./min 21.1 US gal./min to 100 l/min 22.0 imp.gal./min 26.4 US gal./min	
Dead weight standard crane	2847 kg	6280 lbs

Applications shown in the leaflet do not always correspond to the standard specifications. Design and specification are subject to change without prior notice.



Country-specific regulations must be considered for the crane installation.

www.palfinger.com

KP-PK29002M1+E, 12/06