

P&H® T-400XL

40-ton hydraulic truck crane
170-ft. (51.8 m) maximum tip height



PROVEN OMEGA® UPPER WITH NEW TRUCK CARRIER

- **Excellent reach** afforded by telescoping 106 ft. (32.3 m) 3-section boom with power-pinned manual 4th section. Add 34 ft. (10.4 m) lattice boom extension and 25 ft. (7.6 m) jib for total length of 165 ft. (50.3 m).
- **Telescope rated loads** for precise placement. Semi-fixed cylinder mounts decrease cylinder deflection under load and increase telescoping capacity.
- **Superior lifting performance** provided by rectangular, full depth four-plate boom that is welded inside and out.
- **New 8 x 4 truck carrier** has strong rigid frame utilizing a high strength rectangular box side rail construction, roomy lowline cab, sprung front suspension, 9'-9 $\frac{1}{2}$ " (3.0 m) road width and road speeds to 47 mph (75.7 Kmph).
- **Fast, solid set-up** with P&H scissors type outriggers. Excellent stability with 22'-8 $\frac{1}{2}$ " (6.92 m) outrigger stance.
- **Turbocharged engine** offers low sound levels, low fuel consumption, excellent high altitude performance and superior torque for optimum horsepower usage.
- **Total operator comfort** means less fatigue and greater production. Spacious cab module allows placement of controls "in the palm of your hand", lots of leg and elbow room, and full vision of all activities.
- **A duty-cycle machine** — powerful P&H winches offer high line speeds, pull and controlled free fall. VOLUMATIK® hydraulic system provides optimum oil flow for fast crane functioning.
- **Less downtime** — T-400XL is "Pit-Stop" maintenance-proven. It's industry's most serviceable crane — engineered for parts commonality, accessibility and fast tear-down.

Specifications

specifications



BOOM: All boom sections are of full depth rectangular four-plate construction welded inside and out, with adjustable nylon slider pads on top, bottom and sides. All powered sections are selectively sequenced, each section lever controlled. Boom point contains four 18.125" (460 mm) P.D. main sheaves and one 14.125" (359 mm) P.D. idler sheave. Sheaves are non-metallic with roller bearings. A fifth sheave to meet export code is optional. Semi-fixed telescope cylinder mounts provide capacity to telescope full rated loads.

Four (4) section boom, with manual section, 32.5' (9.9 m) retracted length, 106' (32.3 m) extended length, consisting of one base section, 2 powered sections and one manually pinned section with boom point which can be hydraulically extended or retracted (standard).

BOOM EXTENSION (OPTIONAL): For extending reach of boom. 34' (10.4 m) swing-around tapered lattice structure with single 18.125" (460 mm) P.D. non-metallic boom point sheave with roller bearing. Easily installed from ground level by pivoting from its stored position on right side of boom base and pin connecting to boom point.

JIB (OPTIONAL): For extending reach of boom extension. 25' (7.6 m) A-frame structure with single 14.125" (359 mm) P.D. non-metallic jib point sheave with bronze bushing, compression strut and guy cables. Pin and guy line connected.

AUXILIARY SHEAVE (OPTIONAL): Single non-metallic sheave 14.125" (359 mm) P.D. with bronze bushing, bracket-mounted on boom point, for use with single auxiliary winch line.

HOOK BLOCKS (OPTIONAL):

- A) 40 Ton — 3 sheaves with swivel hook and safety latch, for 3/4" (19 mm) wire rope.
- B) 20 Ton — 1 sheave with swivel hook and safety latch, for 3/4" (19 mm) wire rope.
- C) 8.5 Ton — weighted hook with swivel and safety latch, for 3/4" (19 mm) wire rope.

COUNTERWEIGHT: 7000 lb. (3175 kg).



OPERATOR'S CAB: All-weather environmental cab of steel has hinged ceiling window, slide-by right side window with guard, large windows with full view in all directions and locking slide-by door. Safety glass used throughout. Operator's four-way adjustable seat has torsion suspension. Cab is 34.5 inches (876 mm) wide with a stand-up height of 56 inches (1422 mm) and is cushion-mounted for vibration dampening and noise reduction.

CAB ACCESSORIES (STANDARD): Cab contains all crane function controls in addition to mechanical boom angle indicator, electric windshield wiper, dash light, warning light and buzzer (monitoring hydraulic oil temperature, engine water temperature, air pressure and engine oil pressure), low voltage indicating light, fuel gauge, master ignition switch, engine start button, engine stop button, two-speed controls for winches, circular level, hand throttle, electric remote control of outriggers and cigarette lighter.

CAB ACCESSORIES (OPTIONAL): Heater (diesel or propane fueled, thermostatically controlled), defroster fan, electric roof window wiper windshield washer, seat belt, fire extinguisher, electronic boom angle indicator, electronic boom length indicator, load movement device, drum rotation indicators for main and auxiliary winches, vandal-proof glass (lexan), electronic anti-two-block device, cold weather engine starting aid, floodlights, rear view mirrors, electric horn and rotary roof beacon.



CONTROLS: In front of operator are foot pedals for boom hoist, swing brake and engine throttle. Mounted on left hand side of front console are three (3) double-acting levers for swing (with horn button) and telescope (2 telescope levers for individual positioning of powered sections of boom.) At the right are levers for auxiliary winch (optional), main winch, and boom hoist. On right side of seat are floor mounted levers for house lock and swing holding brake. Drum rotation indicators (optional) are mounted on auxiliary and main winch levers. At operator's right are console mounted switches for ignition, windshield wiper, defroster (optional), and outrigger controls. Also on console are engine start button, high temperature warning light, engine stop button, dash light, fuel gauge, air pressure gauge, circular level, and positive (air) hand throttle. Console has prewired removable modules for ease of service.



MAIN WINCH: P&H Model 16 two-speed, mounted on revolving frame. Planetary gearing for power raising and lowering. Infinitely variable controlled speed. Spring applied, hydraulically released load holding caliper disc brake with controlled free-fall. Complete with 550' (167.6 m) wire rope.

Drum: Grooved 15" (381 mm) P.D. x 20" (508 mm) wide.

Wire Rope: 3/4" (19 mm) dia. 8 x 19 spin resistant, extra improved plow steel with 7 x 7 I.W.R.C.

Drum Capacity: 765 ft. (233 m) 6 layers.

Line Pull (Max.): 18,000 lb. (8165 kg) 1st layer.

Line Pull (Permissible): 10,000 lb. (4536 kg) per part of line.
14,571 lb. (6609 kg) based on strength of recommended wire rope.

Line Speed (Max.): 543 fpm (166 m/m) 6th layer.

AUXILIARY WINCH (OPTIONAL): Same as main winch.

AUXILIARY WINCH (OPTIONAL): P&H Model 10-1 single-speed, mounted on revolving frame. Planetary gearing for power raising and lowering. Infinitely variable controlled speed. Spring applied, hydraulically released load holding caliper disc brake with controlled free-fall. Complete with 450' (137.2 m) wire rope.

Drum: Grooved 11.25" (286 mm) P.D. x 14" (356 mm) wide.

Wire Rope: 9/16" (14 mm) dia. 8 x 19 spin resistant, extra improved plow steel with 7 x 7 I.W.R.C.

Drum Capacity: 530 ft. (162 m) 6 layers.

Line Pull (Max.): 11,000 lb. (4990 kg) 1st layer.

Line Pull (Permissible): 7150 lb. (3243 kg) per part of line, 5th layer.

8400 lb. (3810 kg) based on strength of recommended wire rope.

Line Speed (Max.): 459 fpm (140m/m) 6th layer.

SPECIAL MAIN & AUXILIARY WINCHES: (Optional for export requirements.) Same as standard, but with holding valve to eliminate free fall.



BOOM HOIST: Two 8" (203 mm) I.D. cylinders, double-acting. Hydraulically powered raising and lowering with holding valve.

BOOM TELESCOPE: Two 6.0" (152 mm) I.D. cylinders — double-acting. Hydraulically powered raising and lowering with holding valve. Supplied by a single hose loop.

VOLU-MATIK® HYDRAULIC SYSTEM: This system utilizes 6 pumps and is designed to provide ample volume and pressure for optimum performance.

The right hand main tandem gear pump, at 2600 rpm (engine full load), provides 37 gpm (140 lpm) to the main and/or auxiliary winch boost circuits and 27 gpm (102.2 lpm) to the swing or outrigger circuits.

The left hand main tandem gear pump, at 2600 rpm (engine full load) provides 51 gpm (193 lpm) to the main and/or auxiliary winch circuits and 51 gpm (193 lpm) to the boom hoist and telescope circuits.

The fifth pump, driven at 2600 rpm (full load) is a variable-volume, variable pressure axial piston pump and provides 9 gpm (34.1 lpm) to pilot valves for winch brake release, winch speed shifting and swing brake release.

These five pumps are furnished with a manual pump disconnect.

A sixth pump, driven off the rear of engine camshaft at 2600 rpm is a gear pump and provides 18 gpm (68.1 lpm) to the steering circuit.

Total flow for this system at governed engine speed is 193 gpm (730.5 lpm). High pressure oil leaving the pump to the swing and outrigger circuits is filtered to 20 microns to protect seals in cylinders, valves and motors, before entering the functioning circuits. Returning oil is filtered in two bypass type filters to 10 microns before entering the reservoir.

The 160 gal. (606 liter) reservoir is located on the right side of carrier. Pumps, valves, cylinders and motors are readily accessible and easy to service. Control valves are four-way, three position type with low effort spools and pilot-operated relief valves for quick, smooth response. Swing valve is pressure compensated. Cable linkage connects valves to control levers. Oil cooler is standard.

**PCSA CLASS 12-182 "with outriggers fully extend and set"
rated crane loads in pounds — boom in over side and over rear work areas**

LOAD RADIUS (FEET)	BOOM LENGTH (FEET)																								LOAD RADIUS (FEET)				
	MANUAL SECTION RETRACTED																												
	32.5		40		48		56		64		72		81.5		106		115.5		140										
LOADED BOOM ANGLE Δ°	RATED LOAD POUNDS		LOADED BOOM ANGLE Δ°	RATED LOAD POUNDS		LOADED BOOM ANGLE Δ°	RATED LOAD POUNDS		LOADED BOOM ANGLE Δ°	RATED LOAD POUNDS		LOADED BOOM ANGLE Δ°	RATED LOAD POUNDS		LOADED BOOM ANGLE Δ°	RATED LOAD POUNDS		LOADED BOOM ANGLE Δ°	RATED LOAD POUNDS		LOADED BOOM ANGLE Δ°	RATED LOAD POUNDS							
	SIDE	REAR		SIDE	REAR		SIDE	REAR		SIDE	REAR		SIDE	REAR		SIDE	REAR		SIDE	REAR		SIDE	REAR	SIDE	REAR	SIDE	REAR		
10	64	80000	80000	70	68000	68000	73	67000	67000	76	62000	62000													10				
12	60	68000	68000	66	64000	64000	71	61000	61000	74	57000	57000	76	50000	50000										12				
15	54	60000	60000	62	57000	57000	67	54000	54000	71	51000	51000	73	44000	44000	76	40000	40000							15				
20	41	47000	47000	53	45000	45000	60	43000	43000	65	40000	40000	69	37000	37000	72	33000	33000	74	30000	30000	SEE WARNING NOTE 1		SEE WARNING NOTE 2		20			
25	23	36000	36000	43	35000	35000	53	34000	34000	59	33000	33000	64	29500	29500	67	27000	27000	70	25000	25000	76	19000	19000	77	17000	17000	25	
30	TELESCOPE CYLINDERS MUST BE FULLY RETRACTED AND AGAINST STOPS			30	29000	29000	44	28000	28000	53	27000	27000	58	25000	25000	63	23500	23500	67	20500	20500	73	17500	17500	74	15000	15000	30	
35				35	23500	23600	46	23000	23000	53	22000	22000	58	20000	20000	63	18000	18000	70	15500	15500	72	13200	13200	76	9000	9000	35	
40				21	18200	18600	38	18200	18600	47	18200	18600	53	17500	17500	58	15500	15500	67	13500	13500	69	12300	12300	74	8300	8300	40	
45				28	14300	14900	40	14300	14900	48	14300	14900	54	13600	13600	64	11800	11800	67	11400	11400	72	7400	7400	72	7400	7400	45	
50				9	11500	12200	32	11500	12200	42	11500	12200	49	11500	12000	61	10500	10500	64	10200	10200	69	6900	6900	69	6900	6900	50	
55	RATINGS ABOVE THE HEAVY LINE ARE BASED ON STRUCTURAL COMPETENCE AND NOT ON MACHINE STABILITY.			21	9300	10000	35	9300	10000	44	9300	10000	58	9400	9400	61	9100	9100	67	6500	6500	67	6500	6500	65	6100	6100	60	
60				27	7600	8300	39	7600	8300	54	8500	8500	58	8200	8200	65	6100	6100	65	6100	6100	65	6100	6100	65	6100	6100	65	
65				14	6200	6900	32	6200	6900	32	6200	6900	32	6200	6900	51	7600	7600	55	7400	7400	63	5600	5600	63	5600	5600	65	
70				WHEN LIFTING A LOAD, ALL POWERED SECTIONS OF THE BOOM MUST BE EXTENDED EQUALLY.			24	5000	5700	47	6500	6800	52	6700	6700	60	5200	5200	70	39	4700	5300	45	5100	5400	55	4500	4500	80
80							28	3300	3800	37	3700	4200	50	3900	3900	90	110	7	2200	2700	26	2600	3000	44	3000	3300	100		
90	BOOM RATINGS MUST BE REDUCED BY WEIGHT OF BOOM ATTACHMENTS AND LOAD HANDLING DEVICES. SEE TABLE.			37	2100	2600	110	29	1400	1800	120	17	—	1100	130														
100				29	1400	1800	120																						
110				17	—	1100	130																						
120	WHEN LIFTING A LOAD, ALL POWERED SECTIONS OF THE BOOM MUST BE EXTENDED EQUALLY.			17	—	1100	130																						
130				17	—	1100	130																						

WARNINGS

1. FOR BOOM LENGTHS LESS THAN 106 FEET WITH MANUAL SECTION EXTENDED, THE RATED LOADS ARE DETERMINED BY BOOM ANGLE ONLY IN THE COLUMN HEADED BY 106 FOOT BOOM. FOR BOOM ANGLES NOT SHOWN, USE RATING OF NEXT LOWER BOOM ANGLE.

2. FOR BOOM LENGTHS LESS THAN 115.5 FEET WITH MANUAL RETRACTED AND LESS THAN 140 FEET WITH MANUAL EXTENDED, THE 34 FOOT BOOM EXTENSION RATED LOADS ARE DETERMINED BY BOOM ANGLE ONLY IN THE COLUMN HEADED BY 115.5 FOOT BOOM AND 140 FOOT BOOM RESPECTIVELY. FOR ANGLES NOT SHOWN, USE RATING OF NEXT LOWER BOOM ANGLE.

32R551

**"on rubber"
rated crane loads in pounds — minimum boom (64' maximum)**

WARNING: "WITHOUT OUTRIGGER" LIFTS WITH JIB OR BOOM EXTENSION IN WORKING POSITION ARE PROHIBITED.

TO HELP PREVENT TIPPING CONDITIONS WHEN "LIFTING ON RUBBER", IT IS RECOMMENDED THAT —

1. MINIMUM BOOM LENGTHS BE USED, NOT EXCEEDING 64 FEET.
2. OUTRIGGERS BE EXTENDED AS FAR AS POSSIBLE AND CLEAR OF GROUND.

WHEN LIFTING A LOAD, ALL POWERED SECTIONS OF THE BOOM MUST BE EXTENDED EQUALLY.

LOAD RADIUS (FEET)	STATIONARY RATINGS		TRAVEL RATINGS OVER REAR	
	OVER REAR	OVER SIDE	CREEP	5 MPH
10	35300	27200	31800	22800
12	32200	22600	28900	20300
15	28500	16200	25200	17400
20	20500	9400	19700	14000
25	14200	5600	13600	11400
30	10300	3300	—	—
35	7500	1700	—	—
40	5600	—	—	—
45	4100	—	—	—
50	2900	—	—	—
55	2000	—	—	—

32U1805

WARNING: DO NOT EXCEED RATED LOAD AT RADIUS SHOWN OR TIPPING WILL OCCUR.

LOAD RATINGS WITHOUT OUTRIGGERS DEPEND ON TIRE CAPACITY AND CONDITION, INFLATED PER TABLE.

TIRE INFLATION			
SIZE	STAT	CREEP	5MPH
11.00x20-14 PR	110 PSI	110 PSI	100 PSI
12.00x20-14 PR	100 PSI	100 PSI	90 PSI

WHEN TRANSPORTING A LOAD, MACHINE MUST BE ON FIRM, LEVEL SURFACE WITH MECHANICAL HOUSELOCK ENGAGED AND LOAD CENTERED OVER REAR OF MACHINE AND RESTRAINED FROM SWINGING. DO NOT EXCEED 5 MPH (8 KMPH) VEHICLE SPEED.

CREEP IS MOTION FOR LESS THAN 200 FT. (60.9 M) IN A 30 MIN. PERIOD AND NOT EXCEEDING 1 MPH.

RATINGS ABOVE THE HEAVY LINE ARE BASED ON STRUCTURAL COMPETENCE AND NOT ON MACHINE STABILITY.

STABILITY RATINGS DO NOT EXCEED 75% OF TIPPING LOADS WITH AUXILIARY SHEAVE ON BOOM POINT AND STOWED BOOM EXTENSION.

Jib ratings

MAXIMUM LOAD RATINGS IN POUNDS			
Minimum Boom Angle	JIB ANGLE OFFSET		
	5°	17°	30°
78°	5000	4200	3700
75°	4600	4000	3500
70°	4100	3700	3300
65°	3500	3200	2900
60°	3100	2900	2700
55°	2600	2500	2400
50°	2200	2100	2000

JIB CAPACITY NOTES

1. MAXIMUM JIB LOAD RATINGS ARE BASED ON STRUCTURAL COMPETENCE AND DO NOT EXCEED 85% OF TIPPING LOAD WITH FULLY EXTENDED OUTRIGGERS. USE OF OUTRIGGERS IS REQUIRED WHEN BOOM IS EQUIPPED WITH JIB.
2. FOR BUCKET RATINGS ON JIB DEDUCT 20% FROM MAXIMUM JIB LOAD RATINGS.
3. **WARNING:** DO NOT LIFT WITH JIB AT BOOM ANGLES BELOW 50°. LOSS OF STABILITY OCCURS RAPIDLY.
4. **WARNING:** DO NOT EXCEED 130 FOOT LOAD RADIUS WITH ERECTED JIB OR A TIPPING CONDITION WILL OCCUR.

deductions to be made from rated loads

DEDUCTIONS TO BE MADE FROM MAIN BOOM RATED LOAD (IN POUNDS)			
HOOK BLOCK	ON BOOM	ON LATTICE EXTENSION	ON JIB
40 Ton 3 Sheave	490	—	—
20 Ton 1 Sheave	580	2700	—
8.5 Ton Ball Hook	265	2300	5100

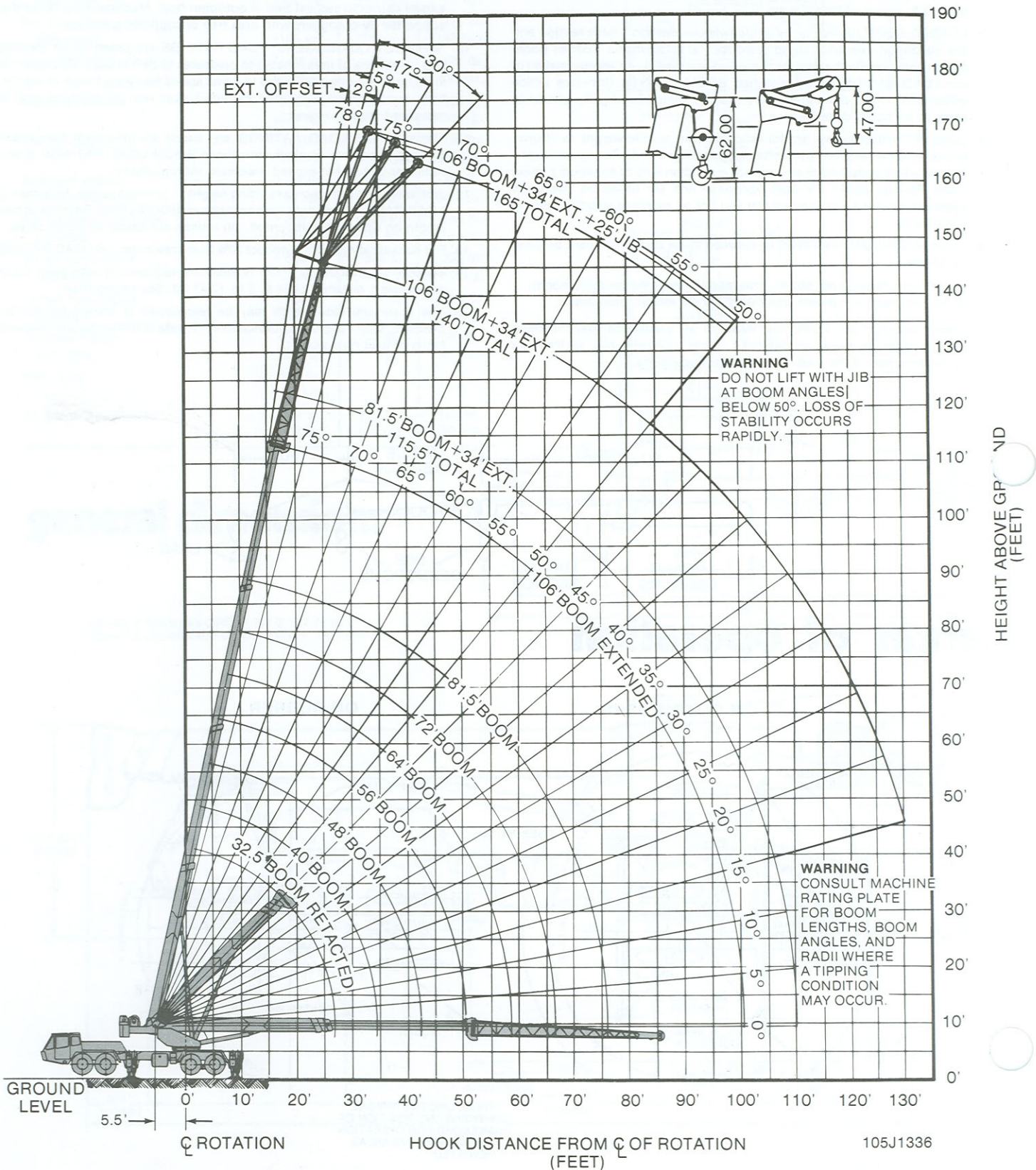
DEDUCTIONS TO BE MADE FROM LATTICE EXTENSION RATED LOADS (IN POUNDS)			
HOOK BLOCK	ON BOOM	ON LATTICE EXTENSION	ON JIB
40 Ton	335	—	—
20 Ton	400	580	—
8.5 Ton	200	265	1400
DEDUCTIONS TO BE MADE FROM JIB RATED LOADS (IN POUNDS)			
HOOK BLOCK	ON BOOM	ON LATTICE EXTENSION	ON JIB
40 Ton	220	—	—
20 Ton	300	500	—
8.5 Ton	200	200	265

PERMISSIBLE HOIST LINE LOAD IN POUNDS			
PARTS OF LINE	P&H 16 MAIN WINCH	P&H 16 AUXILIARY WINCH	P&H 10-1 AUXILIARY WINCH
1	10,000	10,000	7,150
2	20,000	20,000	14,300
3	30,000	30,000	21,450
4	40,000	—	—
5	50,000	—	—
6	60,000	—	—
7	68,000	—	—

HOIST LINE WIRE ROPE				
TYPE	3/4-8 x 19 IWRC	P&H TYPE 25 3/4-6 x 25F IWRC	9/16-8 x 19 IWRC	P&H TYPE 25 9/16-6 x 25F IWRC
BREAKING STRENGTH	51,000 lb.	58,800 lb.	29,400 lb.	33,600 lb.
PERMISSIBLE STRENGTH	14,571 lb.	16,800 lb.	8,400 lb.	9,600 lb.

working ranges

four section boom with manual section and 7,000 lbs. counterweight





SWING UNIT: Hydraulic motor driving through double reduction plus single planetary gear reducer (51.1) to pinion gear. 360° continuous rotation to 3 RPM.

SWING GEAR: Internal cut spur with 107 teeth 42.8" (1087 mm) P.D.

SWING BRAKE: Caliper disc brake integral with swing gear reducer, manually applied with swing brake pedal for slow dynamic stopping or manually applied with swing holding brake lever for static holding. Holding brake is spring applied and hydraulically released by detenting swing break lever.

HOUSE LOCK: Two position (front and rear) pin-in-hole lock manually engaged with house lock lever in cab is standard. A positive 360° position lock is optional.

FASTENING TO LOWER: Single row ball bearing Swing Circle® integral with swing gear. Welded to carrier frame and bolted to rotating frame. Bearing is protected from dust by labyrinth seal.

ROTARY MANIFOLD: Sealed rotary swivel for air and hydraulic hose connections between rotating upper and carrier. Quickly removable from above or below for servicing. Electrical swivel is mounted on top of air and hydraulic swivel.



CARRIER: P&H 8 x 4.

WEIGHT: Including ball bearing Swing Circle, hydraulic outriggers and standard tires: 38,400 pounds (17,418 kg).

FRAME: All-welded unitized construction assures rigidity and permanent alignment of swing bearing and rotating upper machinery. Fabricated of rectangular main frame beams of high strength 100,000 psi minimum yield alloy steel and reinforced with box cross members of high strength 100,000 psi minimum yield alloy steel. Reinforced 50,000 psi yield high strength steel channel ahead of front outriggers.

LIGHTS: Dual headlights, tail lights, stop lights, front and rear directional signals with emergency flashers, rear license plate light, front, rear and side clearance lights with integral reflectors, dome light, and front identification lights.

EQUIPMENT (STANDARD): Front bumper, full fenders, tow hooks front and rear, carrier-mounted boom rack, and sliding engine hood.

EQUIPMENT (OPTIONAL): Back-up warning device, cold weather starting aid, Jacobs engine brake, fire extinguisher, flood lights, spare wheel, front bumper float, anti-two block device, and tool boxes.



CAB: Low profile environmental cab of steel construction is mounted forward of the front suspension on the left side of the carrier frame. Cab is cushion mounted for vibration dampening and noise reduction. Large safety glass windows are used throughout, providing full view in all directions. Operators four-way adjustable seat has torsion suspension.

CAB EQUIPMENT: Contains all roading controls and instrumentation. Includes illuminated instrument panel with speedometer, tachometer, hour meter, voltmeter and warning light, three (3) air pressure gauges with warning lights, fuel gauge, oil pressure gauge with warning lights, water temperature gauge with warning lights, master ignition switch, engine start and stop buttons. Panel also includes switches for highway lights, dome light, windshield wiper and washer (opt.), engine brake (opt.), engine starting aid (opt.), heater, defroster, turn signals. Right side console includes inter-axle differential lock, transmission shift lever and parking brake. Other cab equipment includes cigarette lighter, engine condition warning alarm, air horns, seat belt and West Coast rear view mirror.



OUTRIGGERS: Patented hydraulic scissor type with removable floats — eight double-acting hydraulic cylinders for independent horizontal and vertical motion of each beam, solenoid valve controlled. Holding valves on vertical cylinders. Patented remote controlled air operated ratchet and pawl locks. Outrigger control stations on either side of carrier are optional.

OUTRIGGER HOUSINGS: Two independent housings front and rear, pin-connected and removable. 100,000 PSI min. yield high strength alloy steel construction.

OUTRIGGER BEAMS: 100,000 PSI min. yield high strength alloy steel box extending to a maximum of 11' 4-5/16" (3.46 m) from center of carrier (with machine fully raised on outriggers).

OUTRIGGER FLOATS: Removable forged aluminum floats with storage on carrier.

FRONT AXLE: Rockwell FL951 tubular tandem.

REAR AXLE: Rockwell SSHD single reduction, ratio 6.83:1 with inter-axle differential.

SUSPENSION: Front — Reyco four-spring, mounted tandem with torque rods. Rear — Hendrickson solid bogie, mounted tandem with torque rods.

STEERING: Ross HF hydraulic powered gear and integral valve with Garrison dual hydraulic power assist cylinders on axles, 18" (457 mm) diameter steering wheel.

TIRES: Standard - Eight (8) - 11.00 x 20 14 ply rim-mounted duals on 8" rims — rear, with Four (4) 15 x 22.5 16 ply rim-mounted duplex on 12.25" rims — front. Optional - 12.00 x 20 14-ply rim-mounted on 8.5" rims — rear.

SERVICE BRAKES: Rockwell Stopmasters on front. Maxi safety brakes on rear. Air on all eight wheels — shoe type with separate front and rear air reservoirs for safety.

PARKING BRAKES: Maxi-spring set, air release on rear wheels.



POWER PLANT:

ENGINE

Model Type	Detroit Diesel 6V-53T Direct Injection Diesel
No. of cylinders	6
Cycle	2
Bore x Stroke, in (mm)	3.875 x 4.5 (98 x 114)
Displacement, cu. in. (Liters)	318 (5.2)
Air Induction	Turbo-charged
Air Cleaner	Two-stage dry type — replaceable element
Oil Filter	Fullflow with replaceable element
Fuel Filter	Heavy duty with replaceable element
Fuel tank	FHWA approved (Left side of carrier) 80 gal. (303 liters) cap.
Cooling	Liquid-pressurized, recirculating by-pass
Radiator	Fin and tube core, thermostat controlled
Fan	6 Blade, suction type, 26 in. (660 mm) dia.
Starting	12 volt motor
Charging	12 volt system with 65 amp. alternator, negative ground
Battery	1 — 385 amp. hour
Compressor, air	12 CFM
Governor, air	105-120 PSI
Horsepower, Gross	225 @ 2600 RPM SAE (168 kw)

PUMP DRIVES: Gear driven off carrier engine with manual disconnect for travel. Drive ratio 1:1

CLUTCH: Spicer 14" (355.6 mm) two plate with upshift clutch brake.

TRANSMISSION: Fuller RT613 Roadranger, thirteen speeds forward, three reverse.



PERFORMANCE:

Low gear	2.6 MPH (4.2 km/h)
High gear	47 MPH (75.7 km/h)
Max. grade	43%

Speed and gradeability based on 76,000 pounds G.V.W. and may vary due to engine performance, vehicle weights and tire options.

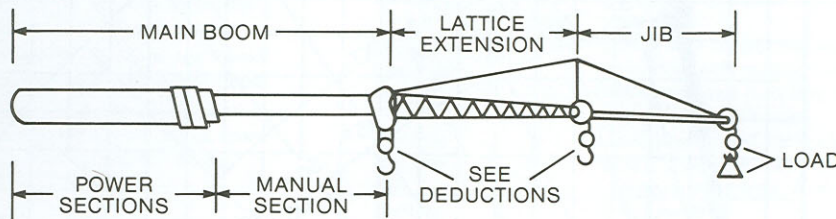
SHEAVE AND DRUM TO WIRE ROPE RATIOS: (Pitch Diameter)

	Sheave to Wire Rope	Drum to Wire Rope
Boom Main Sheave	24.17 to 1	---
Boom Idler Sheave	18.83 to 1	---
Boom Ext. Sheave	24.17 to 1	---
Jib Sheave	18.83 to 1	---
Main Winch	---	20 to 1
Aux. Winch	---	20 to 1

operating instructions

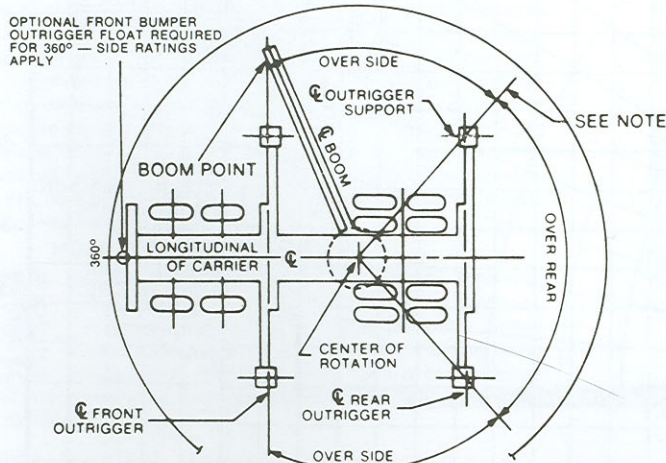
This P&H crane meets the requirements of ANSI B30.15 (1973). Boom structure (boom, lattice extension and jib) has been tested per SAE J1063, machine stability tested per SAE J765. LOAD RATINGS shown apply only to machine as originally manufactured and equipped by Harnischfeger Corporation.

1. LOAD RADIUS is horizontal distance from axis of rotation (before loading) to center of vertical hoist line (after loading). Actual working radii should be an accurate measurement.
2. Boom, lattice extension and jib point height dimensions are measured from ground to center of load sheave.
3. LOADED BOOM ANGLE is the angle between the boom base section and the horizontal axis after lifting rated load at rated radius. Loaded boom angles shown are with rated loads applied and provide an approximation of the LOAD RADIUS at the specified BOOM LENGTH (includes lattice extension). The boom angle before loading should be slightly greater to account for boom deflection.
4. LOAD RATINGS shown are for machine with counterweight as shown, leveled and standing on firm, uniform supporting surface. Ratings are based on freely suspended loads and are not more than 85% of minimum tipping loads. Ratings above the bold horizontal line are based on machine's hydraulic or structural competence and not on machine stability (tipping conditions).
5. To determine LOAD RATINGS in-between those shown on chart, proceed as follows:
 - a. for boom lengths not shown, use rating of next longer rated boom;
 - b. for load radii not shown, use rating of next longer rated radius.
6. Deduct weight from LOAD RATINGS of all suspended load handling devices such as hooks, hookblocks, slings, buckets, etc. as they are considered part of the load. See table for deductions.
7. Deduct weight from LOAD RATINGS of fixed boom attachments (jib, boom extension) either stowed or erected, as they reduce capacity of boom. See table for deductions.
8. LOAD RATINGS shown make no allowance for such factors as wind effect on lifted loads, ground conditions, out-of-level, operating speed or conditions that could be detrimental to safe operation of this machine. The operator must judge these factors and reduce ratings accordingly.
9. "WITH OUTRIGGERS" LOAD RATINGS are based on outriggers fully extended and set at a distance of 11 ft. 4-5/16 in. (3.46 m) from longitudinal axis of carrier to vertical axis of outrigger float. Machine must be level and supported by outriggers with tires free of supporting surface.
10. "WITHOUT OUTRIGGERS" LOAD RATINGS are based on lift limitations and conditions of tires inflated to pressures shown in table. Over rear "Pick and Carry" ratings are limited to travel speed less than 5 mph (8 kmph) on firm, level ground with load centered over rear of machine and load restrained from swinging.
11. Maximum JIB LOAD RATINGS are based on structural competence. Ratings at any radius shall not exceed BOOM LOAD RATINGS at same radius and shall not exceed maximum ratings shown.
12. Jibs are intended to increase lifting height — not load radius. Maximum JIB LOAD RADIUS shall not exceed maximum BOOM LOAD RADIUS of boom length on which jib is mounted. Jib ratings are based on boom angle.
13. For bucket ratings on jib, deduct 20% from maximum JIB LOAD RATINGS.
14. Method of telescoping boom is selective sequencing with each section extendible a distance of 24 ft. 6 in. (7.47 m). See rating chart.
15. The maximum load which may be telescoped is limited by hydraulic pressure, boom angle and lubrication. It is safe to telescope any load within limits of load rating chart.

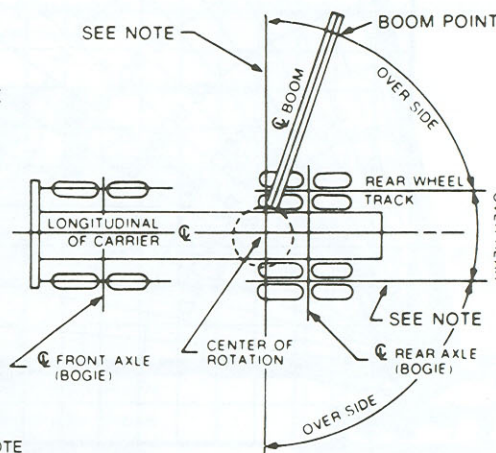


areas of operation

ON OUTRIGGERS



ON RUBBER

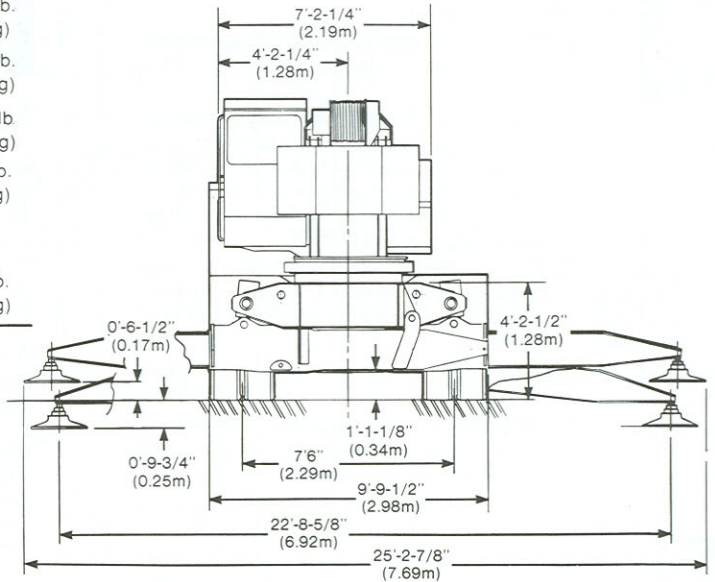
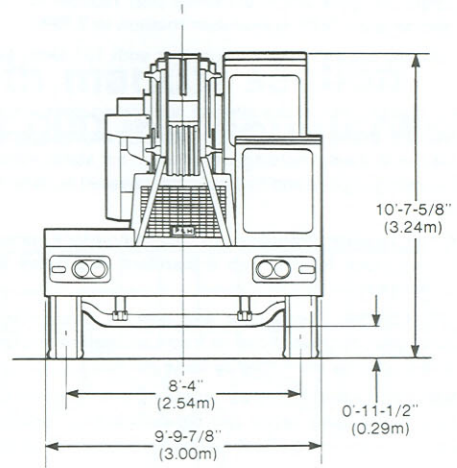


NOTE

THESE LINES DETERMINE ANY LIMITING POSITION OF ANY LOAD FOR OPERATION WITHIN WORKING AREAS INDICATED

VEHICLE WEIGHTS: Include standard engine, standard manual boom (forward in travel position), standard main winch and cable, standard tires, 80 gals. fuel, and counterweight.

	G.V.W.	Front Axle	Rear Axle
	73,110 lb. (33,161 kg)	28,606 lb. (12,975 kg)	44,504 lb. (20,185 kg)
Effect on axle loads by adding these items:			
No. 16 auxiliary winch with cable	1151 lb. (522 kg)	- 453 lb. (205 kg)	1604 lb. (728 kg)
No. 10 auxiliary winch with cable	+ 231 lb. (105 kg)	- 94 lb. (43 kg)	+ 325 lb. (147 kg)
Eight 12:00x20 rear tires	+ 136 lb. (62 kg)	0	+ 136 lb. (62 kg)
Boom extension	+ 1266 lb. (574 kg)	+ 867 lb. (393 kg)	+ 399 lb. (181 kg)
Jib (stored)	+ 1056 lb. (479 kg)	+ 317 lb. (144 kg)	+ 739 lb. (335 kg)
Auxiliary sheave (with mounting)	+ 98 lb. (44 kg)	+ 166 lb. (75 kg)	- 68 lb. (31 kg)
8.5 ton weighted hook (stowed)	+ 265 lb. (120 kg)	+ 429 lb. (195 kg)	- 164 lb. (74 kg)
20 ton hook block (stowed)	+ 580 lb. (263 kg)	+ 939 lb. (426 kg)	- 359 lb. (163 kg)
40 ton hook block (stowed)	+ 490 lb. (222 k)	+ 794 lb. (360 kg)	- 304 lb. (138 kg)
Propane heater with tank	+ 2 lb. (22 g)	+ 2 lb. (1 kg)	+ 46 lb. (21 kg)
Fifth float	166 lb. (75 kg)	—	—
Dunnage Box Option	304 lb. (138 kg)	105 lb. (48 kg)	199 lb. (90 kg)



general dimensions

VEHICLE TURNING CIRCLE - 91'-2" (27.79m)
VEHICLE CLEARANCE CIRCLE - 100'-2" (30.53m)

