



Max. lifting capacities

| PK 4501 Performance | | | |
|-------------------------|---------|----------|----------|
| hydraulic | | | |
| Max. lifting capacities | | 2830 kg | 6240 lbs |
| Outreach | | Capacity | |
| 3.6 m | 11' 10" | 1130 kg | 2490 lbs |
| 5.1 m | 16' 9" | 780 kg | 1720 lbs |

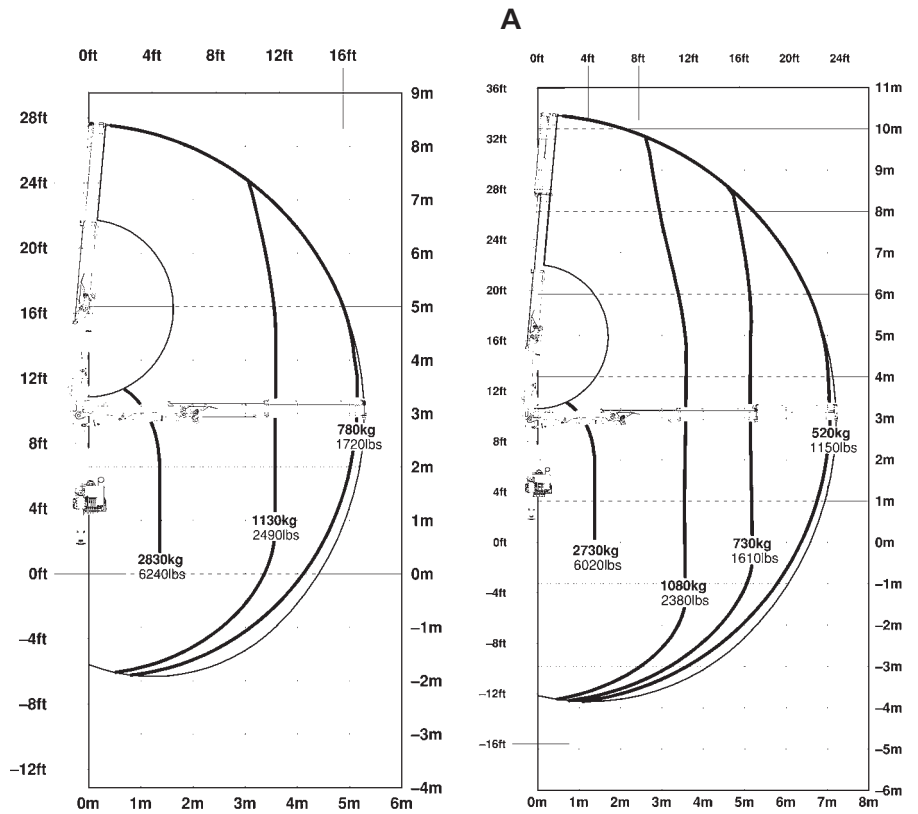
| PK 4501 Performance A | | | |
|-------------------------|---------|----------|----------|
| hydraulic | | | |
| Max. lifting capacities | | 2730 kg | 6020 lbs |
| Outreach | | Capacity | |
| 3.6 m | 11' 10" | 1080 kg | 2380 lbs |
| 5.1 m | 16' 9" | 730 kg | 1610 lbs |
| 7.1 m | 23' 4" | 520 kg | 1150 lbs |

| PK 4501 Performance B | | | |
|-------------------------|---------|----------|----------|
| hydraulic | | | |
| Max. lifting capacities | | 2650 kg | 5840 lbs |
| Outreach | | Capacity | |
| 3.6 m | 11' 10" | 1040 kg | 2290 lbs |
| 5.1 m | 16' 9" | 680 kg | 1500 lbs |
| 7.1 m | 23' 4" | 470 kg | 1040 lbs |
| 9.0 m | 29' 6" | 360 kg | 790 lbs |
| manual | | | |
| 11.0 m | 36' 1" | 270 kg | 600 lbs |
| 12.6 m | 41' 4" | 220 kg | 490 lbs |

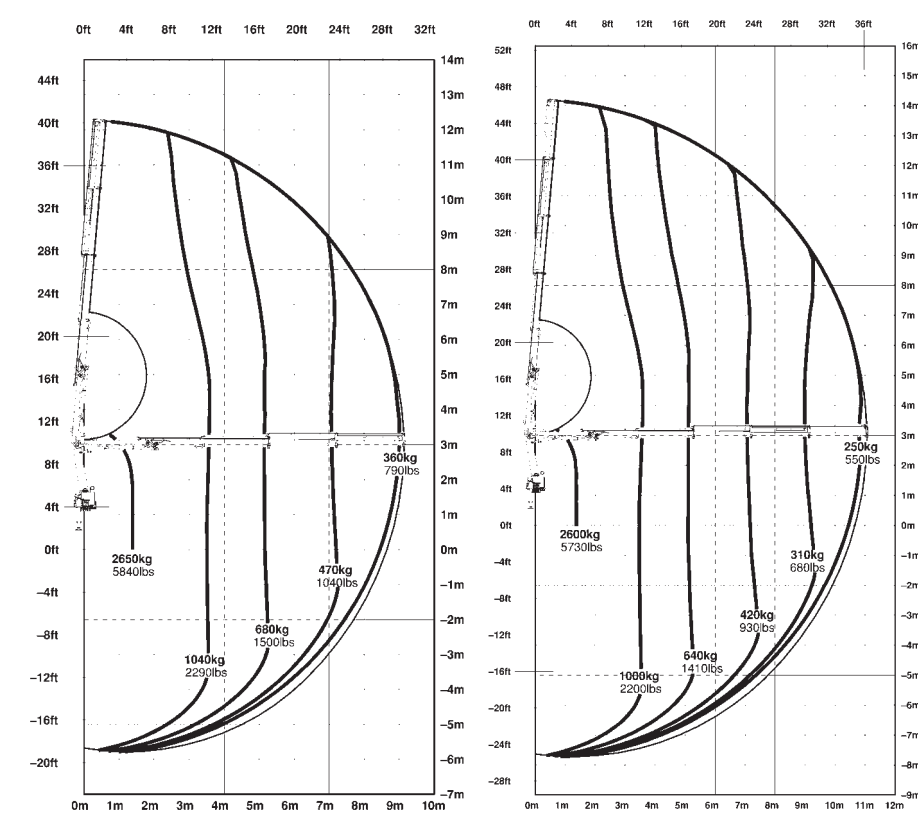
| PK 4501 Performance C | | | |
|-------------------------|---------|----------|----------|
| hydraulic | | | |
| Max. lifting capacities | | 2600 kg | 5730 lbs |
| Outreach | | Capacity | |
| 3.6 m | 11' 10" | 1000 kg | 2200 lbs |
| 5.1 m | 16' 9" | 640 kg | 1410 lbs |
| 7.1 m | 23' 4" | 420 kg | 930 lbs |
| 9.0 m | 29' 6" | 310 kg | 680 lbs |
| 10.9 m | 35' 9" | 250 kg | 550 lbs |
| manual | | | |
| 12.5 m | 41' 0" | 200 kg | 440 lbs |

The outreaches stated are with a boom angle of 20° and are therefore not the maximum.

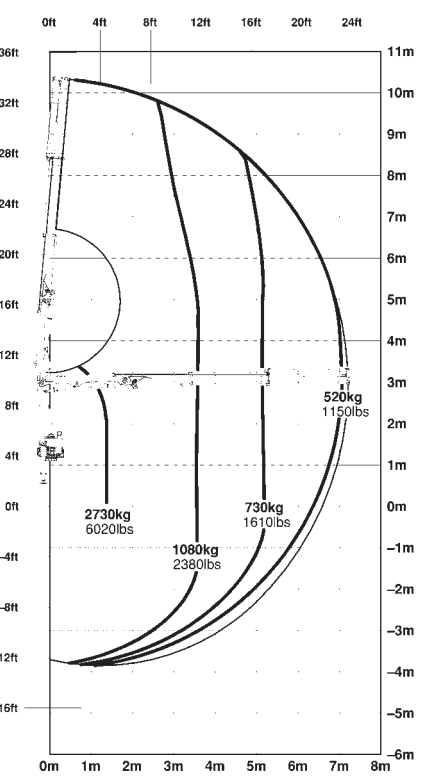
PK 4501 Performance



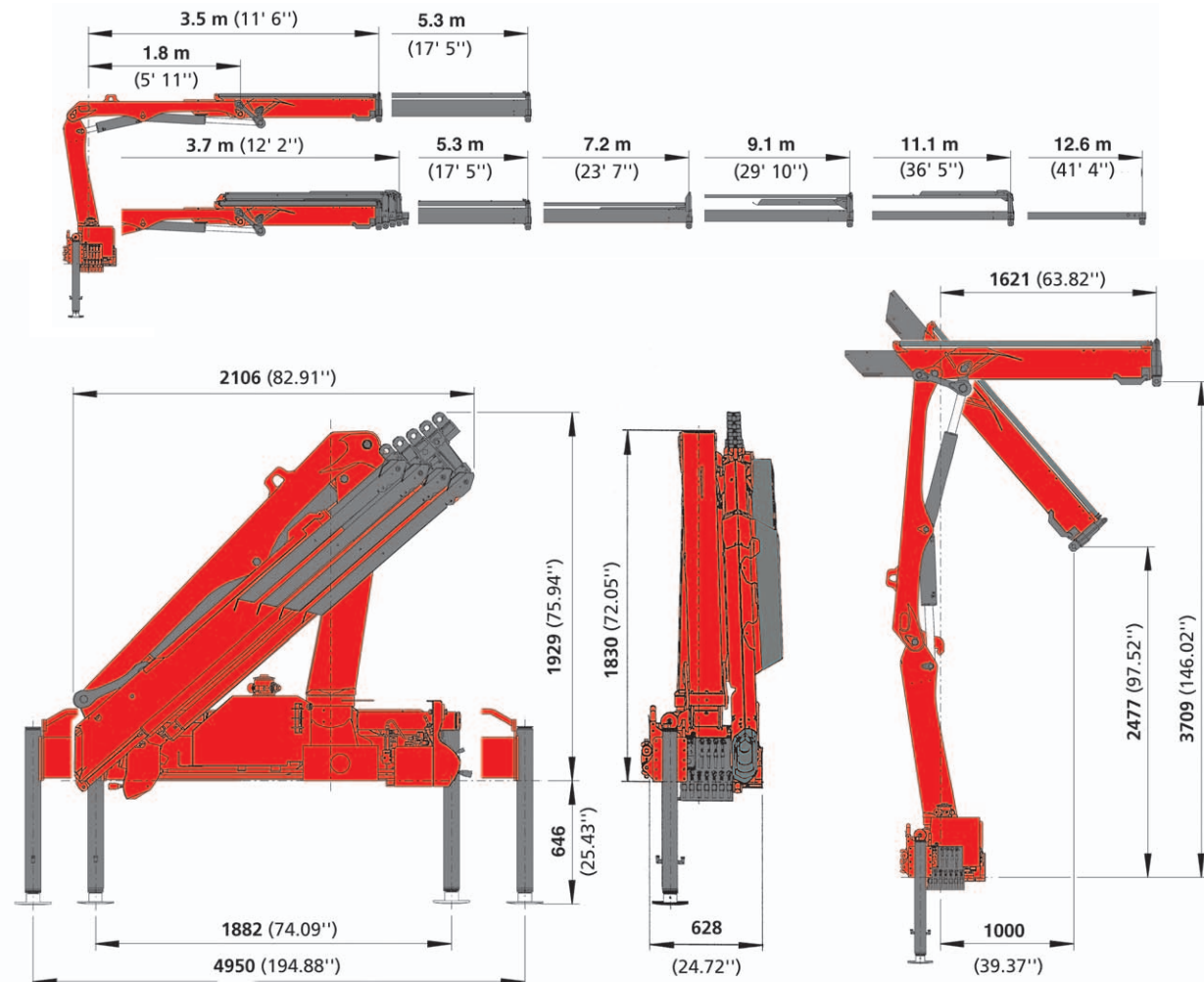
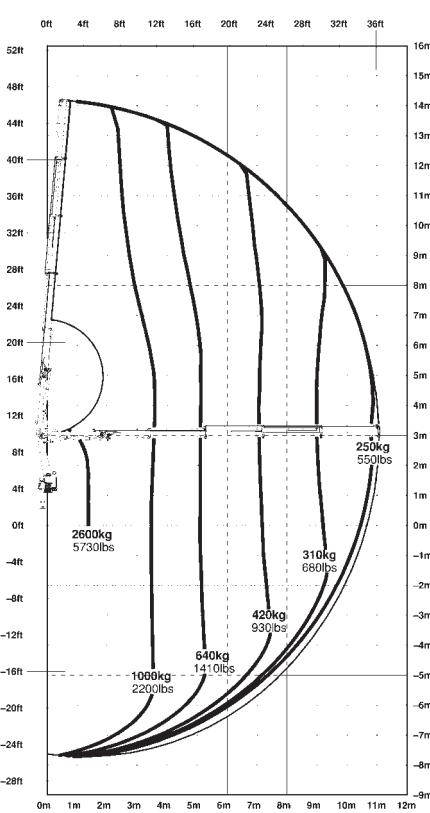
B



A



C



| PK 4501 Performance | | |
|---|-----------------------|------------------|
| Standard crane | | |
| Slewing torque | 0.5 mt/5,2 kNm | 3830 ft.lbs |
| Outreach | 5.3 m | 17' 5" |
| Stabilizer spread standard | 2.9 m | 9' 6" |
| Stabilizer spread max. | 5.0 m | 16' 3" |
| Fitting space required | 0.63 m | 2' 1" |
| Width folded | 2.1 m | 6' 11" |
| Max. operating pressure | 300 bar | 4350 psi |
| Recommended pump capacity | from 3.3 imp.gal./min | 4.0 US gal./min |
| | to 5.5 imp.gal./min | 6.6 US gal./min |
| with radio remote control and LS-System | 8.8 imp.gal./min | 10.6 US gal./min |
| Dead weight standard crane | 659 kg | 1450 lbs |

| PK 4501 Performance | | |
|--|-----------------|--------------|
| Technical Specifications (DIN 15018 H1-B3) | | |
| Max. lifting moment | 4.1 mt/40.0 kNm | 29490 ft.lbs |
| Max. lifting capacity | 2830 kg/27.8 kN | 6240 lbs |
| Max. hydraulic outreach | 11.1 m | 36' 5" |
| Max. manual outreach | 12.7 m | 41' 8" |
| Slewing angle | 400° | |

Applications shown in the leaflet do not always correspond to the standard specifications. Design and specification are subject to change without prior notice. Country-specific regulations must be considered for the crane installation.

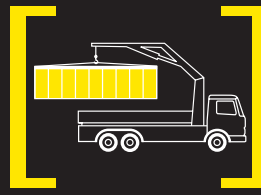


THE IDEAL CRANE FOR YOUR SMALL TRUCK



LONGEST HYDRAULIC OUTREACH IN ITS CLASS

With 11.1 metres the PK 4501 *Performance* offers the longest hydraulic outreach in the 4-metre-tonne class. Thanks to its low dead weight and its operating versatility the PK 4501 *Performance* is the ideal crane for your small truck. Its optimal lifting moment – dead weight ratio ensures maximum payload. Its stability is also impressive: The new hexagonal profile boom system increases its rigidity.



The PK 4501 *Performance* already meets the requirements of the new EN 12999 crane standard which will be coming into force in the near future.

DETAILS WHICH IMPRESS

Load-holding valves

They prevent the crane boom from dropping and are fitted as standard on all cylinders. The valves are positioned in way that protects them from damage.



Electronically assured safety

The optional PALTRONIC 50 electronic control system is a real advance in safety and convenience.

Hydraulic overload safety device

Also available as an option is the hydraulic overload safety device. In the event of overloading it immediately blocks any movements which would increase the load moment.

Central lubrication

For all bearings in the base frame

Ergonomic crane control

The operating levers for all crane functions are arranged ergonomically on the console. This facilitates comfortable, efficient working. The control console is mounted so that it is easy to service.

Radio control

The optional PALFINGER radio control system with digital data transmission ensures maximum safety and convenience. The display which is integrated in the control console informs the crane operator continuously about the current capacity status of the crane.

In combination with the PALFINGER radio control system, the load sensing proportional valve enables the crane to be adjusted with great sensitivity.



FOR SAFETY AND COMFORT WHILE WORKING

Hose equipment for accessories

This option provides the oil supply for accessories. The hoses are routed in compact hose troughs and are therefore well protected.

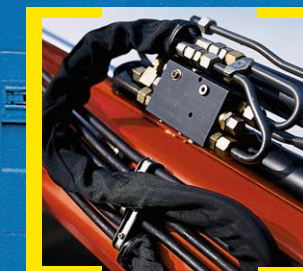


Internally routed oil passages

The internally routed oil passages make it possible to have a compact design for the extension system and ensure perfect protection from damage.

Return oil utilisation

The high speed of the extension system is impressive. It results from return oil utilization feature, which is installed as standard, and the generously dimensioned hydraulic pipes. This makes for increased efficiency during all types of working!



Extension system

- The extension cylinders are guided by using Jordal rails and rollers.
- Optimal height compensation of the extension cylinders.



Large outrigger widths

The PK 4501 *Performance* fits on all standard truck chassis. Three stabiliser spreads are possible: 3.0 m (mechanical), 4.4 m (mechanical) and 5.0 m (hydraulic).

