

PK 40002

Performance

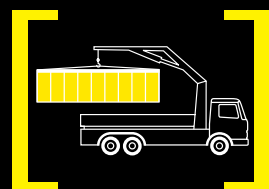
PALFINGER



THE SOLID HEAVY-DUTY CRANE IN THE 40-METRE-TONNE CLASS

The PK 40002 *Performance* impresses with its excellent movement geometry and the best power-to-weight ratio in its class. The endless slewing mechanism and POWER LINK PLUS, the knuckle boom has a working angle of 195°, endow the crane with maximum mobility.

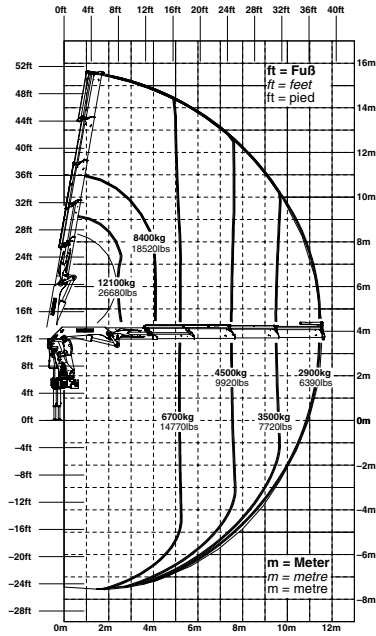
Equipment features installed as standard, such as the double linkage system, generously dimensioned hydraulic lines, and return oil utilisation ensure high efficiency and a high working speed.



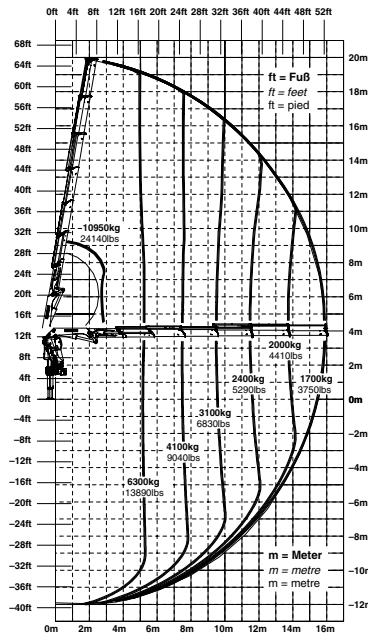
EFFICIENT OVERLOAD PROTECTION THROUGH PALTRONIC 50



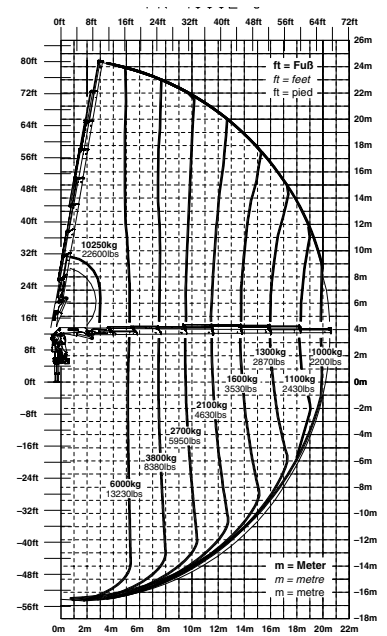
PK 40002 Performance C



PK 40002 Performance E

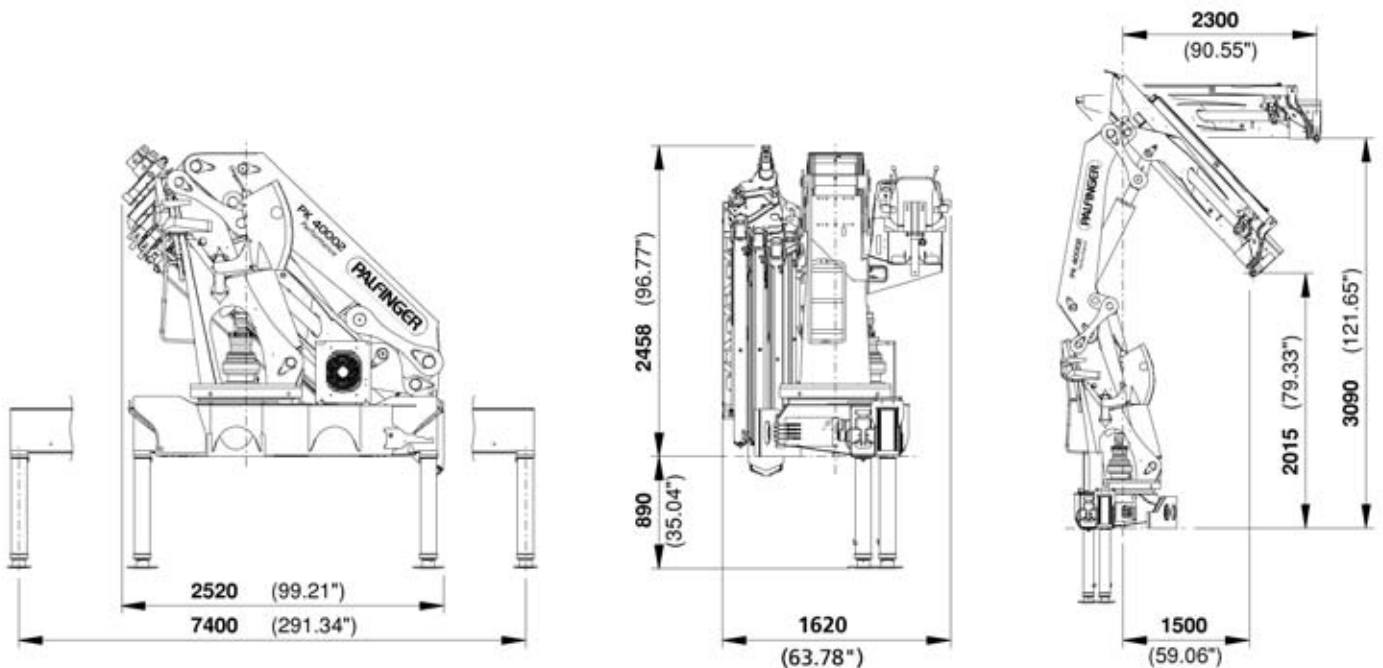


PK 40002 Performance G



PK 40002 Performance		
Technical Specifications (DIN 15018 H1-B3)		
Max. lifting moment	38.3 mt/375.7 kNm	277000 ft.lbs
Max. lifting capacity	13160 kg/129.1 kN	29010 lbs
Max. hydraulic outreach	20.6 m	67' 7"
Max. outreach (with fly-jib)	27.8 m	91' 2"
Slewing angle	endless	

PK 40002 Performance		
Standard crane		
Slewing torque	4.5 mt/44.1 kNm	32510 ft.lbs
Outreach	7.7 m	25' 3"
Stabilizer spread	7.4 m	24' 3"
Fitting space required	1.62 m	5' 4"
Width folded	2.5 m	8' 3"
Max. operating pressure	300 bar	4350 psi
Recommended pump capacity	from 80 l/min	17.6 imp.gal./min
	to 100 l/min	22.0 imp.gal./min
Dead weight standard crane	4175 kg	9200 lbs



Applications shown in the leaflet do not always correspond to the standard specifications. Design and specification are subject to change without prior notice. Country-specific regulations must be considered for the crane installation.