

**WEIGHTS**  
4100W SERIES-1 and 2

**DESCRIPTION**

**APPROXIMATE WEIGHT  
(POUNDS)**

**Liftcrane** — with 70' No. 22C boom, crane counterweight, universal gantry with telescopic backhitch, 26'6" crawlers with 48" treads, full width tandem drums, independent swing, independent boom hoist, Cummins NTA-855-C360 engine, 27-5/8" diameter lagging for rear drum, boom hoist rope, equalizer, telescopic air cushioned boom stop, 200 ton hook block, 15 ton hook and weight ball, single sheave upper boom point, and upper wire rope guide . . . . . S-1 — 366,575 \*  
S-2 — 450,575 \*

**Upperworks** — with Cummins NTA-855-C360 engine, independent swing, independent boom hoist, and 27-5/8" diameter lagging for rear drum; **LESS** boom, gantry and backhitch, equalizer, hook block, weight ball, counterweight, telescopic air cushioned boom stop and catwalk . . . . . 80,620 \*

**Upperworks** — as above with gantry and backhitch, equalizer, boom hoist rope, and carbody; **LESS** crawlers . . . . . 141,365 \*

\*Weights do not include hoist line, whip line or fuel. For Caterpillar D-343TA **add** 1,170 lbs.; for Caterpillar 3406 PCTA **add** 100 lbs.; for GM 12V-71N **add** 600 lbs.

**Carbody** — with roller path, ring gear, and king pin; **LESS** crawlers . . . . . 49,700

**Crawlers** — 26'6" with 48" treads . . . . . 38,405 each

**Counterweight**

Inner (Self-Removing) . . . . . 41,900  
Middle (Self-Removing) . . . . . 41,500  
Outer (Self-Removing) . . . . . 39,000  
Upper Side (2) (Series-2 only) . . . . . 12,000 each  
Carbody (2) (Series-2 only) . . . . . 30,000 each

**No. 22C Open Throat Boom Top**

Boom Top — 40' (with lower boom point assembly) . . . . . 8,770  
Basic Pendant — 40' 9-3/4" (4) . . . . . 250 each  
Upper Boom Point (single sheave) . . . . . 1,260  
(double sheave) . . . . . 1,510  
Jib Adapter . . . . . 540  
Offset Link (2) . . . . . 60 each

**No. 22A Light Tapered Boom Top**

Tapered Boom Top — 50' (with lower boom point assembly) . . . . . 5,980  
Tapered Boom Insert — 30' . . . . . 3,610  
Basic Pendant — 40' 9-3/4" (4) . . . . . 250 each  
Upper Boom Point . . . . . 720  
Wire Rope Anchor Joint . . . . . 140

**No. 22A Hammerhead Boom Top**

Boom Top — 10' (with boom point and wire rope guide assembly) . . . . . 5,510  
Tapered Boom Insert — 30' . . . . . 3,610  
Basic Pendant — 37'11" (4) . . . . . 215 each  
Upper Boom Point . . . . . 275

**DESCRIPTION****APPROXIMATE WEIGHT  
(POUNDS)****No. 22A and 22C Boom Butt, Inserts, and Pendants**

Boom Butt — 30'0" .....	6,320
Boom Insert — 40'0" (with Jib Backstay and Wire Rope Roller Guide) .....	4,560
Boom Insert — 40'0" .....	4,460
Boom Insert — 20'0" .....	2,480
Boom Insert — 10'0" .....	1,400
Pendant — 40' (4 per Insert) .....	215 each
Pendant — 20' (4 per Insert) .....	155 each
Pendant — 10' (4 per Insert) .....	115 each
Pendant Spreader Bar .....	440
Wire Rope Guide Assembly (Upper) .....	550
Wire Rope Guide Assembly (Lower) .....	325
Wire Rope Roller Guide Assembly .....	55
Equalizer with Pendant Links .....	2,160
Telescopic Boom Stop .....	675
Platform for Butt .....	100
Removable Equalizer Rail (2) .....	50 each
Pendant Attaching Lug with Link for Boom Handling (2) .....	250 each
Pendant Rubbing Frame (4) .....	50 each

**No. 123 Jib**

Jib Top — 15'0" (with Jib Point) .....	695
Jib Butt — 15'0" .....	600
Jib Insert — 10'0" .....	340
Basic Pendant — 33' 3-3/4" (2) .....	115 each
Pendant — 10' (2 per Insert) .....	65 each
Jib Backstay Pendant — 50'4" (2) .....	90 each
Jib Strut — 12'6" .....	390

**Components**

Hook Rollers with Shafts (6) .....	170 each
Light Plant with Mounting Platform — 6.5 KW .....	1,390
Catwalk — Right and Left Side with Rails .....	1,320
Lagging — 27-5/8" Diameter (Plain) .....	1,440
12 - Part Gantry with Telescopic Backhitch .....	7,805
Boom Hoist Wire Rope — 12 Part, 760' of 7/8" 6x26 .....	1,080
Hoist Line — 1-1/8" 6x31 .....	2.34 lbs./ft.
Whip Line — 1-1/8" 6x31 .....	2.34 lbs./ft.
15 Ton Hook and Weight Ball .....	865
100 Ton Hook Block Assembly (LESS 2-1,225 Lbs. Weight Plates) .....	3,220
200 Ton Hook Block Assembly .....	4,815
230 Ton Hook Block Assembly .....	5,660
Dragline Fairlead — Revolving .....	1,910
Dragline Fairlead — Hinged .....	8,180

**NOTE** Weights may fluctuate  $\pm 5\%$  due to manufacturing tolerances. Also, weights of various small components have been omitted from this weight sheet.



**DESCRIPTION**

**NOTE** Weights may fluctuate  $\pm 5\%$  due to manufacturing tolerances. Also, weights of various small components have been omitted from this weight sheet.

**APPROXIMATE WEIGHT (POUNDS)**

**Liftcrane** — with 33 foot stationary tower with container handling system, 80 foot number 22A boom, 242,400 pounds crane counterweight, elevated operator's cab with stairway, gantry, full width front and rear drums with 19-7/8 inch diameter grooved lagging on each drum, independent swing, independent boom hoist with boom hoist wire rope, Cummins NTA-885-C400 engine with VICON® controlled torque converters, 26 foot 6 inch crawlers with 48 inch treads, telescopic air cushioned boom stops, sheave carrier, upper wire rope guide assembly, two container handling blocks, and two 40 ton swivel hook blocks ..... 502,280 \*

**Upperworks** — with Cummins NTA-855-C400 engine with VICON controlled converters, full width front and rear drums with 19-7/8 inch grooved lagging on each drum, independent swing, and independent boom hoist; **LESS** crane counterweights, elevated operators cab with stairway, gantry, boom hoist wire rope, stationary tower with tagline drums, boom, sheave carrier, telescopic boom stops, two container handling blocks, and two 40 ton swivel hook blocks... 77,375 \*

**Upperworks** — as above with gantry, boom hoist wire rope, sheave carrier, and carbody; **LESS** crawlers... 133,385 \*

\*Weights do not include hoist line, whip line, fuel and lubricants.

**Carbody** — with roller path, ring gear, and king pin; **LESS** crawlers ..... 47,760

**Crawlers** — 26 foot 6 inches with 48 inch treads..... 38,730 each

**Counterweight**

Inner (self-removing) ..... 41,900  
 Middle (self-removing) ..... 41,500  
 Outer (self-removing) ..... 39,000  
 Upper Side (2) ..... 30,000 each  
 Carbody (2) ..... 30,000 each

**33 Foot Stationary Tower**

Tower — 33'-0" (with container handling system) ..... 10,275  
 Boom Strut ..... 1,600  
 Main Strut ..... 2,260  
 Link (2) ..... 485 each  
 Tower Cap Wire Rope Guide ..... 865  
 Sheave Carrier ..... 1,390  
 Tower Backstay ..... 2,535  
 Strut for Tower Backstay (2) ..... 35 each  
 Pendant Link (2) ..... 125 each  
 Fairlead Assembly (2) ..... 105 each  
 Sheave Assembly (with mounting channel) ..... 340  
 Winch Assembly (with mounting plate) ..... 1,215

**Boom No. 22A**

Boom Butt — 30'-0" (with wire rope roller guide and strut supports) ..... 6,320  
 Boom Top — 50'-0" (with sheaves in point, two wedge sockets, and wire rope roller guide) ..... 7,010  
 Boom Insert 40'-0" ..... 4,300  
 Boom Insert 20'-0" ..... 2,450  
 Boom Insert 10'-0" ..... 1,450  
 Basic Pendant — 68'-4" (4) ..... 280 each  
 Pendant — 40'-0" (4) ..... 175 each  
 Pendant — 20'-0" (4) ..... 125 each  
 Pendant — 10'-0" (4) ..... 90 each  
 Wire Rope Guide Assembly (boom top) ..... 325  
 Wire Rope Roller Guide Assembly (inserts) ..... 55 each  
 Pendant Link with Pin (2) ..... 90 each

## Components

Hook Rollers with Shafts (6) . . . . .	170 each
Drum with Lagging — 19-7/8" Diameter, Grooved (2) . . . . .	2,260 each
Gantry with Backhitch . . . . .	5,745
Boom Hoist Wire Rope — 14 Part, 875' of 7/8" 6x26 . . . . .	1,287
Hoist Line Rope — 1-1/8" 6x31 . . . . .	2.34 lbs./ft.
Tagline Wire Rope — (2) 560' of 3/8" 6x19 . . . . .	145 each
40 Ton Swivel Hook Block . . . . .	1,050
Telescopic Air Cushioned Boom Stop . . . . .	1,170
Container Handling Blocks with Attachment Beam . . . . .	630



# REFERENCE MANUAL CHECKLIST

SEND ORDER FORM TO: ADVERTISING DEPARTMENT, MANITOWOC ENGINEERING CO.  
P.O. Box 70, MANITOWOC, WISCONSIN 54220

## SHIPPING INSTRUCTIONS:

FIRM: \_\_\_\_\_

ADDRESS: \_\_\_\_\_

CITY, STATE, ZIP: \_\_\_\_\_

ATTN: \_\_\_\_\_

# 4100W S-2

DATED: 08-14-85

Quan.	No.	Date	Description
_____	7809		ANNOUNCEMENT BROCHURE
_____	160299-1/2	03-25-83	OUTLINE DIMENSIONS
★ _____	962-1/2	07-10-84	WEIGHTS
★ _____	190693	07-13-83	<b>BOOM NO. 22C — OPEN THROAT TOP</b> <i>Meets ANSI B30.5 Code</i> RIGGING ASSEMBLY DRAWING
★ _____	6934-A	04-26-84	LIFT CAPACITIES JIB NO. 123 LIFT CAPACITIES 70' thru 100' Boom 0° Jib Offset Angle
_____	6935-G	07-09-79	10° Jib Offset Angle
_____	6935-H	07-09-79	20° Jib Offset Angle
_____	6935-I	07-09-79	110' thru 240' Boom 0° Jib Offset Angle
_____	6935-A	11-10-78	10° Jib Offset Angle
_____	6935-B	11-10-78	20° Jib Offset Angle
_____	6935-C	11-10-78	
★ _____	6934-B	04-26-84	<b>BOOM NO. 22C — 4½° OFFSET TOP</b> <i>Meets ANSI B30.5 Code</i> LIFT CAPACITIES JIB NO. 123 LIFT CAPACITIES 70' thru 100' Boom 0° Jib Offset Angle
_____	6936-G	07-09-79	10° Jib Offset Angle
_____	6936-H	07-09-79	20° Jib Offset Angle
_____	6936-I	07-09-79	110' thru 240' Boom 0° Jib Offset Angle
_____	6936-A	01-25-78	10° Jib Offset Angle
_____	6936-B	01-25-78	20° Jib Offset Angle
_____	6936-C	01-25-78	
★ _____	190993	09-05-80	<b>BOOM NO. 22A — HAMMERHEAD TOP</b> <i>Meets ANSI B30.5 Code</i> RIGGING ASSEMBLY DRAWING
★ _____	6961-A	04-26-84	LIFT CAPACITIES JIB NO. 123 LIFT CAPACITIES 5° Jib Offset Angle
_____	6969-A	02-27-80	10° Jib Offset Angle
_____	6969-B	02-27-80	20° Jib Offset Angle
_____	6969-C	02-27-80	
★ _____	50935	03-07-83	<b>BOOM NO. 22A — LIGHT TAPERED TOP</b> <i>Meets ANSI B30.5 Code</i> RIGGING ASSEMBLY DRAWING
★ _____	7342-A	03-24-83	LIFT CAPACITIES JIB NO. 123 LIFT CAPACITIES 0° Jib Offset Angle
_____	7343-A	03-24-83	10° Jib Offset Angle
_____	7343-B	03-24-83	20° Jib Offset Angle
_____	7343-C	03-24-83	

(Continued on reverse side.)

★New or revised item contained in this mailing

# REFERENCE MANUAL CHECKLIST

SEND ORDER FORM TO: ADVERTISING DEPARTMENT, MANITOWOC ENGINEERING CO.  
P.O. Box 70, MANITOWOC, WISCONSIN 54220

## SHIPPING INSTRUCTIONS:

FIRM: \_\_\_\_\_

ADDRESS: \_\_\_\_\_

CITY, STATE, ZIP: \_\_\_\_\_

ATTN: \_\_\_\_\_

# 4100W S-2

DATED: 08-14-85

Quan.	No.	Date	Description
_____	Bulletin 1	02-17-84	<b>CONTAINER-HANDLING ASSEMBLY</b>
_____	161579	03-25-83	CONTAINER-HANDLING ASSEMBLY
_____	1139-1/2	06-15-83	OUTLINE DIMENSIONS
_____	161323	03-22-83	WEIGHTS
_____	191538	10-21-83	RIGGING ASSEMBLY DRAWING
_____		04-06-83	RANGE DIAGRAM
_____			LIFT CAPACITIES

★New or revised item contained in this mailing.



# JIB LIFTING CAPACITIES

MEETS  
ANSI B30.5  
REQUIREMENTS

# 4100W

# 4100W SERIES-1

JIB NO. 123 WITH 12'6" STRUT ON  
BOOM NO. 22A WITH LIGHT TAPERED TOP  
26'6" CRAWLERS EXTENDED

0 DEGREE JIB OFFSET ANGLE

Chart supplements boom capacity chart No. 6266-A. Capacities are for freely suspended loads based on tipping, strength of structural components or other factors. Crane operator judgment must be used to allow for dynamic load effects of swinging, hoisting or lowering, travel, as well as adverse operating conditions and physical machine depreciation.

Capacities do not exceed **75%** of a static tipping load with machine on firm level surface. Capacities based on structural

competence are denoted by shaded areas. Operating radius is the horizontal distance from the axis of rotation to the center of vertical hoist line or load block. Weight of all load blocks, hooks, weight ball, slings, hoist lines beneath boom and jib point sheaves, etc., including those on the main boom is considered part of the jib load. Boom and jib are not to be lowered beyond radii where combined weights are greater than rated capacity. Maximum capacity on 1/8 in. — 6x31 IPS, IWRC is 28,300 lbs./line.

30 FOOT JIB	JIB POINT RADIUS: FEET	CAPACITIES IN POUNDS																JIB POINT RADIUS: FEET	
		BOOM LENGTH — FEET																	
		110	120	130	140	150	160	170	180	190	200	210	220	230	240	250	260		270
80 *	40,000	40,000	40,000	40,000	40,000	40,000	40,000	40,000	40,000	40,000	40,000	40,000	40,000	40,000	40,000	40,000	40,000	40,000	80 *
85	40,000	40,000	40,000	40,000	40,000	40,000	40,000	40,000	40,000	40,000	40,000	39,800	39,300	38,800	38,200	37,900	37,400	36,900	85
90	40,000	40,000	40,000	39,900	39,400	38,800	38,500	38,000	37,500	36,900	36,600	36,000	35,600	35,000	34,700	34,200	33,700		90
100	36,300	35,600	35,100	34,500	34,100	33,500	33,200	32,600	32,100	31,600	31,200	30,700	30,200	29,600	29,300	28,800	28,300		100
110	32,000	31,400	30,800	30,200	29,800	29,200	28,900	28,300	27,800	27,300	26,900	26,400	25,900	25,300	25,000	24,500	24,000		110
120	28,500	27,900	27,300	26,700	26,200	25,700	25,400	24,800	24,300	23,700	23,400	22,800	22,300	21,800	21,500	20,900	20,400		120
130		24,900	24,400	23,800	23,300	22,700	22,400	21,800	21,400	20,800	20,400	19,900	19,400	18,800	18,500	18,000	17,500		130
140			21,900	21,300	20,800	20,200	19,900	19,300	18,900	18,300	17,900	17,400	16,900	16,300	16,000	15,500	15,000		140
150				19,100	18,700	18,100	17,800	17,200	16,700	16,100	15,800	15,200	14,700	14,200	13,900	13,300	12,800		150
160						16,200	15,900	15,300	14,900	14,300	13,900	13,400	12,900	12,300	12,000	11,400	10,900		160
170							14,300	13,700	13,200	12,600	12,300	11,700	11,200	10,700	10,400	9,800	9,300		170
180								12,300	11,800	11,200	10,900	10,300	9,800	9,200	8,900	8,300	7,900		180
190									10,500	9,900	9,600	9,000	8,500	7,900	7,600	7,100	6,600		190
200										8,800	8,400	7,800	7,400	6,800	6,500	5,900	5,400		200
210											7,400	6,800	6,400	5,800	5,500	4,900	4,400		210
220												5,400	4,800	4,500					220

40 FOOT JIB	JIB POINT RADIUS: FEET	CAPACITIES IN POUNDS																JIB POINT RADIUS: FEET	
		BOOM LENGTH — FEET																	
		110	120	130	140	150	160	170	180	190	200	210	220	230	240	250	260		
95 *	30,000	30,000	30,000	30,000	30,000	30,000	30,000	30,000	30,000	30,000	30,000	30,000	30,000	30,000	30,000	30,000	30,000		95 *
100	30,000	30,000	30,000	30,000	30,000	30,000	30,000	30,000	30,000	30,000	30,000	30,000	30,000	29,900	29,600	29,000			100
110	30,000	30,000	30,000	30,000	30,000	29,400	29,100	28,500	28,100	27,500	27,100	26,600	26,100	25,600	25,200	24,700			110
120	28,600	28,000	27,500	26,900	26,400	25,900	25,600	25,000	24,500	23,900	23,600	23,000	22,600	22,000	21,700	21,100			120
130	25,700	25,100	24,500	24,000	23,500	22,900	22,600	22,000	21,600	21,000	20,600	20,100	19,600	19,000	18,700	18,200			130
140		22,600	22,100	21,500	21,000	20,400	20,100	19,500	19,100	18,500	18,100	17,600	17,100	16,500	16,200	15,700			140
150			19,900	19,300	18,900	18,300	18,000	17,400	16,900	16,300	16,000	15,400	14,900	14,400	14,100	13,500			150
160					17,000	16,400	16,100	15,500	15,000	14,500	14,100	13,600	13,100	12,500	12,200	11,600			160
170						14,800	14,500	13,900	13,400	12,800	12,500	11,900	11,400	10,900	10,500	10,000			170
180							13,000	12,400	12,000	11,400	11,000	10,500	10,000	9,400	9,100	8,500			180
190								11,200	10,700	10,100	9,800	9,200	8,700	8,100	7,800	7,200			190
200									9,500	9,000	8,600	8,000	7,500	7,000	6,700	6,100			200
210											7,600	7,000	6,500	5,900	5,600	5,100			210
220												6,100	5,600	5,000	4,700	4,100			220

50 FOOT JIB	JIB POINT RADIUS: FEET	CAPACITIES IN POUNDS																JIB POINT RADIUS: FEET	
		BOOM LENGTH — FEET																	
		110	120	130	140	150	160	170	180	190	200	210	220	230	240	250	260		
120 *	20,000	20,000	20,000	20,000	20,000	20,000	20,000	20,000	20,000	20,000	20,000	20,000	20,000	20,000	20,000	20,000	20,000		120 *
130	20,000	20,000	20,000	20,000	20,000	20,000	20,000	20,000	20,000	20,000	20,000	20,000	20,000	19,800	19,300	18,900	18,400		130
140	20,000	20,000	20,000	20,000	20,000	20,000	20,000	20,000	20,000	20,000	20,000	20,000	20,000	19,800	19,300	18,900	18,400		140
150		20,000	20,000	19,500	19,000	18,400	18,100	17,600	17,100	16,500	16,200	15,600	15,100	14,600	14,300	13,700			150
160			18,200	17,600	17,200	16,600	16,300	15,700	15,200	14,700	14,300	13,700	13,300	12,700	12,400	11,800			160
170					15,500	14,900	14,600	14,100	13,600	13,000	12,700	12,100	11,600	11,100	10,700	10,200			170
180						13,500	13,200	12,600	12,100	11,600	11,200	10,700	10,200	9,600	9,300	8,700			180
190							11,900	11,300	10,900	10,300	9,900	9,400	8,900	8,300	8,000	7,400			190
200								10,200	9,700	9,100	8,800	8,200	7,700	7,200	6,800	6,300			200
210									8,700	8,100	7,700	7,200	6,700	6,100	5,800	5,200			210
220										7,200	6,800	6,200	5,700	5,200	4,900	4,300			220
230											5,400	4,900	4,500	4,000					230

60 FOOT JIB	JIB POINT RADIUS: FEET	CAPACITIES IN POUNDS																JIB POINT RADIUS: FEET	
		BOOM LENGTH — FEET																	
		110	120	130	140	150	160	170	180	190	200	210	220	230	240	250			
150 *	10,000	10,000	10,000	10,000	10,000	10,000	10,000	10,000	10,000	10,000	10,000	10,000	10,000	10,000	10,000	10,000			150 *
160		10,000	10,000	10,000	10,000	10,000	10,000	10,000	10,000	10,000	10,000	10,000	10,000	10,000	10,000	10,000			160
170			10,000	10,000	10,000	10,000	10,000	10,000	10,000	10,000	10,000	10,000	10,000	10,000	10,000	10,000			170
180					10,000	10,000	10,000	10,000	10,000	10,000	10,000	10,000	10,000	10,000	10,000	9,700	9,300		180
190						10,000	10,000	10,000	10,000	10,000	10,000	9,400	8,900	8,400	8,100				190
200							10,000	10,000	9,800	9,200	8,800	8,300	7,800	7,200	6,900				200
210								9,200	8,700	8,200	7,800	7,200	6,800	6,200	5,900				210
220									7,800	7,200	6,900	6,300	5,800	5,300	4,900				220
230										6,400	6,000	5,500	5,000	4,400	4,100				230
240											5,200	4,700	4,200						240

\* These capacities apply for ALL lesser radii obtainable.



# JIB LIFTING CAPACITIES

MEETS  
ANSI B30.5  
REQUIREMENTS

# 4100W 4100W SERIES-1

JIB NO. 123 WITH 12'6" STRUT ON  
BOOM NO. 22A WITH LIGHT TAPERED TOP  
26'6" CRAWLERS EXTENDED

10 DEGREE JIB OFFSET ANGLE

Chart supplements boom capacity chart No. 6266-A. Capacities are for freely suspended loads based on tipping, strength of structural components or other factors. Crane operator judgment must be used to allow for dynamic load effects of swinging, hoisting or lowering, travel, as well as adverse operating conditions and physical machine depreciation.

competence are denoted by shaded areas. Operating radius is the horizontal distance from the axis of rotation to the center of vertical hoist line or load block. Weight of all load blocks, hooks, weight ball, slings, hoist lines beneath boom and jib point sheaves, etc., including those on the main boom is considered part of the jib load. Boom and jib are not to be lowered beyond radii where combined weights are greater than rated capacity. Maximum capacity on 1 1/8 in. — 6x31 IPS, IWRC is 28,300 lbs./line.

Capacities do not exceed **75%** of a static tipping load with machine on firm level surface. Capacities based on structural

30 FOOT JIB	JIB POINT RADIUS: FEET	CAPACITIES IN POUNDS																	JIB POINT RADIUS: FEET
		BOOM LENGTH — FEET																	
		110	120	130	140	150	160	170	180	190	200	210	220	230	240	250	260	270	
80 *	40,000	40,000	40,000	40,000	40,000	40,000	40,000	40,000	40,000	40,000	40,000	40,000	40,000	40,000	40,000	40,000	40,000	40,000	80 *
85	40,000	40,000	40,000	40,000	40,000	40,000	40,000	40,000	40,000	40,000	40,000	40,000	40,000	40,000	40,000	40,000	40,000	40,000	85
90	40,000	40,000	40,000	40,000	40,000	39,400	39,100	38,600	38,100	37,600	37,300	36,800	36,300	35,800	35,500	35,100	34,600	34,600	90
95	39,100	38,500	38,000	37,400	37,000	36,500	36,200	35,700	35,300	34,700	34,400	33,900	33,400	32,900	32,600	32,100	31,700	31,700	95
100	36,500	35,900	35,400	34,900	34,500	33,900	33,700	33,100	32,700	32,200	31,800	31,300	30,900	30,400	30,100	29,600	29,100	29,100	100
110	32,200	31,600	31,100	30,600	30,100	29,600	29,300	28,800	28,300	27,800	27,400	26,900	26,500	26,000	25,700	25,100	24,700	24,700	110
120		28,100	27,500	27,000	26,600	26,000	25,700	25,200	24,700	24,200	23,900	23,300	22,900	22,300	22,000	21,500	21,100	21,100	120
130				24,000	23,600	23,000	22,700	22,200	21,700	21,200	20,900	20,300	19,900	19,300	19,000	18,500	18,000	18,000	130
140					21,000	20,500	20,200	19,600	19,200	18,600	18,300	17,800	17,300	16,800	16,500	15,900	15,500	15,500	140
150						18,300	18,000	17,500	17,000	16,500	16,100	15,600	15,100	14,600	14,300	13,700	13,300	13,300	150
160								15,600	15,100	14,600	14,200	13,700	13,200	12,700	12,400	11,800	11,400	11,400	160
170									13,400	12,900	12,600	12,000	11,500	11,000	10,700	10,200	9,700	9,700	170
180										11,400	11,100	10,500	10,100	9,500	9,200	8,700	8,200	8,200	180
190												9,200	8,800	8,200	7,900	7,400	6,900	6,900	190
200													7,600	7,000	6,700	6,200	5,700	5,700	200
210														6,000	5,700	5,100	4,600	4,600	210

40 FOOT JIB	JIB POINT RADIUS: FEET	CAPACITIES IN POUNDS																	JIB POINT RADIUS: FEET
		BOOM LENGTH — FEET																	
		110	120	130	140	150	160	170	180	190	200	210	220	230	240	250	260	270	
95 *	30,000	30,000	30,000	30,000	30,000	30,000	30,000	30,000	30,000	30,000	30,000	30,000	30,000	30,000	30,000	30,000	30,000	30,000	95 *
100	30,000	30,000	30,000	30,000	30,000	30,000	30,000	30,000	30,000	30,000	30,000	30,000	30,000	30,000	30,000	30,000	30,000	30,000	100
110	27,900	29,200	30,000	30,000	30,000	29,900	29,600	29,100	28,700	28,100	27,800	27,300	26,900	26,400	26,100	25,600	25,600	25,600	110
120	26,100	27,300	27,800	27,300	26,800	26,300	26,000	25,500	25,100	24,500	24,200	23,700	23,200	22,700	22,400	21,900	21,900	21,900	120
130			24,800	24,300	23,800	23,300	23,000	22,500	22,000	21,500	21,200	20,700	20,200	19,700	19,400	18,900	18,900	18,900	130
140				21,700	21,300	20,700	20,500	19,900	19,500	18,900	18,600	18,100	17,600	17,100	16,800	16,300	16,300	16,300	140
150					19,100	18,500	18,300	17,700	17,300	16,700	16,400	15,900	15,400	14,900	14,600	14,100	14,100	14,100	150
160						16,400	15,800	15,400	14,800	14,500	14,000	13,500	13,000	12,700	12,100	12,100	12,100	12,100	160
170							14,100	13,700	13,200	12,800	12,300	11,800	11,300	11,000	10,500	10,500	10,500	10,500	170
180								12,200	11,700	11,300	10,800	10,300	9,800	9,500	9,000	9,000	9,000	9,000	180
190									10,000	9,500	9,000	8,500	8,000	7,500	7,000	7,000	7,000	7,000	190
200										8,300	7,800	7,300	6,800	6,300	6,000	6,000	6,000	6,000	200
210											6,800	6,200	5,900	5,400	5,000	5,000	5,000	5,000	210
220												4,900	4,400	4,000	3,600	3,600	3,600	3,600	220

50 FOOT JIB	JIB POINT RADIUS: FEET	CAPACITIES IN POUNDS																	JIB POINT RADIUS: FEET
		BOOM LENGTH — FEET																	
		110	120	130	140	150	160	170	180	190	200	210	220	230	240	250	260	270	
125 *	20,000	20,000	20,000	20,000	20,000	20,000	20,000	20,000	20,000	20,000	20,000	20,000	20,000	20,000	20,000	20,000	20,000	20,000	125 *
130	20,000	20,000	20,000	20,000	20,000	20,000	20,000	20,000	20,000	20,000	20,000	20,000	20,000	20,000	20,000	19,800	19,300	19,300	130
140		20,000	20,000	20,000	20,000	20,000	20,000	20,000	20,000	19,800	19,300	18,900	18,400	18,000	17,500	17,200	16,700	16,700	140
150				19,800	19,400	18,800	18,500	18,000	17,600	17,000	16,700	16,200	15,800	15,200	14,900	14,400	14,400	14,400	150
160					17,400	16,900	16,600	16,100	15,700	15,100	14,800	14,300	13,800	13,300	13,000	12,500	12,500	12,500	160
170						15,200	14,900	14,400	14,000	13,400	13,100	12,600	12,100	11,600	11,300	10,800	10,800	10,800	170
180							12,900	12,500	11,900	11,600	11,100	10,600	10,100	9,800	9,300	9,300	9,300	9,300	180
190								11,200	10,600	10,300	9,800	9,300	8,800	8,500	8,000	7,900	7,900	7,900	190
200									9,400	9,100	8,600	8,100	7,600	7,300	6,700	6,700	6,700	6,700	200
210											7,500	7,000	6,500	6,200	5,700	5,700	5,700	5,700	210
220												6,000	5,500	5,200	4,700	4,700	4,700	4,700	220
230													4,600	4,300	4,000	3,600	3,600	3,600	230

60 FOOT JIB	JIB POINT RADIUS: FEET	CAPACITIES IN POUNDS																	JIB POINT RADIUS: FEET
		BOOM LENGTH — FEET																	
		110	120	130	140	150	160	170	180	190	200	210	220	230	240	250	260	270	
140 *	10,000	10,000	10,000	10,000	10,000	10,000	10,000	10,000	10,000	10,000	10,000	10,000	10,000	10,000	10,000	10,000	10,000	10,000	140 *
150		10,000	10,000	10,000	10,000	10,000	10,000	10,000	10,000	10,000	10,000	10,000	10,000	10,000	10,000	10,000	10,000	10,000	150
160				10,000	10,000	10,000	10,000	10,000	10,000	10,000	10,000	10,000	10,000	10,000	10,000	10,000	10,000	10,000	160
170					10,000	10,000	10,000	10,000	10,000	10,000	10,000	10,000	10,000	10,000	10,000	10,000	10,000	10,000	170
180						10,000	10,000	10,000	10,000	10,000	10,000	10,000	10,000	10,000	10,000	10,000	10,000	10,000	180
190							10,000	10,000	10,000	10,000	10,000	10,000	9,900	9,400	8,900	8,600	8,600	8,600	190
200								10,000	10,000	10,000	10,000	10,000	9,200	8,700	8,200	7,700	7,400	7,400	200
210									10,000	10,000	10,000	10,000	8,500	8,200	7,600	7,200	6,600	6,300	210
220												6,600	6,200	5,700	5,400	5,000	5,000	5,000	220
230													5,300	4,800	4,500	4,100	4,100	4,100	230

\* These capacities apply for ALL lesser radii obtainable.



# JIB LIFTING CAPACITIES

MEETS  
ANSI B30.5  
REQUIREMENTS

# 4100W

# 4100W SERIES-1

JIB NO. 123 WITH 12'6" STRUT ON  
BOOM NO. 22A WITH LIGHT TAPERED TOP  
26'6" CRAWLERS EXTENDED

20 DEGREE JIB OFFSET ANGLE

Chart supplements boom capacity chart No. 6266-A. Capacities are for freely suspended loads based on tipping, strength of structural components or other factors. Crane operator judgment must be used to allow for dynamic load effects of swinging, hoisting or lowering, travel, as well as adverse operating conditions and physical machine depreciation.

competence are denoted by shaded areas. Operating radius is the horizontal distance from the axis of rotation to the center of vertical hoist line or load block. Weight of all load blocks, hooks, weight ball, slings, hoist lines beneath boom and jib point sheaves, etc., including those on the main boom is considered part of the jib load. Boom and jib are not to be lowered beyond radii where combined weights are greater than rated capacity. Maximum capacity on 1/8 in. — 6x31 IPS, IWRC is 28,300 lbs./line.

Capacities do not exceed **75%** of a static tipping load with machine on firm level surface. Capacities based on structural

JIB POINT RADIUS: FEET	CAPACITIES IN POUNDS																	JIB POINT RADIUS: FEET	
	BOOM LENGTH — FEET																		
	110	120	130	140	150	160	170	180	190	200	210	220	230	240	250	260	270		
70 *	40,000	40,000	40,000	40,000	40,000	40,000	40,000	40,000	40,000	40,000	40,000	40,000	40,000	40,000	40,000	40,000	40,000	40,000	70 *
75	39,000	40,000	40,000	40,000	40,000	40,000	40,000	40,000	40,000	40,000	40,000	40,000	40,000	40,000	40,000	40,000	40,000	40,000	75
80	37,600	38,800	40,000	40,000	40,000	40,000	40,000	40,000	40,000	40,000	40,000	40,000	40,000	40,000	40,000	40,000	40,000	40,000	80
85	36,300	37,500	38,700	39,800	40,000	40,000	40,000	40,000	40,000	40,000	40,000	40,000	40,000	40,000	39,900	39,700	39,200	38,800	85
90	35,100	36,300	37,400	38,500	39,600	39,800	39,600	39,100	38,700	38,200	37,900	37,500	37,100	36,600	36,300	35,900	35,500	90	
95	34,000	35,200	36,300	37,400	37,400	36,900	36,700	36,200	35,800	35,300	35,000	34,500	34,100	33,600	33,400	32,900	32,500	95	
100		34,200	35,300	35,200	34,800	34,300	34,100	33,600	33,200	32,700	32,400	31,900	31,500	31,000	30,700	30,300	29,800	100	
110			31,400	30,800	30,400	29,900	29,700	29,200	28,700	28,200	27,900	27,400	27,000	26,500	26,300	25,800	25,300	110	
120					26,800	26,300	26,000	25,500	25,100	24,600	24,300	23,800	23,400	22,800	22,600	22,100	21,600	120	
130						23,200	23,000	22,500	22,100	21,500	21,200	20,700	20,300	19,800	19,500	19,000	18,600	130	
140								19,900	19,500	18,900	18,600	18,100	17,700	17,200	16,900	16,400	15,900	140	
150										16,700	16,400	15,900	15,400	14,900	14,600	14,100	13,700	150	
160											14,500	13,900	13,500	13,000	12,700	12,200	11,700	160	
170													11,800	11,300	11,000	10,500	10,000	170	
180														9,800	9,500	9,000	8,500	180	
190															7,600	7,200		190	

JIB POINT RADIUS: FEET	CAPACITIES IN POUNDS																	JIB POINT RADIUS: FEET
	BOOM LENGTH — FEET																	
	110	120	130	140	150	160	170	180	190	200	210	220	230	240	250	260		
75 *	30,000	30,000	30,000	30,000	30,000	30,000	30,000	30,000	30,000	30,000	30,000	30,000	30,000	30,000	30,000	30,000	30,000	75 *
80	29,200	30,000	30,000	30,000	30,000	30,000	30,000	30,000	30,000	30,000	30,000	30,000	30,000	30,000	30,000	30,000	30,000	80
85	28,100	29,000	29,800	30,000	30,000	30,000	30,000	30,000	30,000	30,000	30,000	30,000	30,000	30,000	30,000	30,000	30,000	85
90	27,200	28,000	28,900	29,600	30,000	30,000	30,000	30,000	30,000	30,000	30,000	30,000	30,000	30,000	30,000	30,000	30,000	90
100	26,500	26,300	27,100	27,900	28,600	29,300	30,000	30,000	30,000	30,000	30,000	30,000	30,000	30,000	30,000	30,000	30,000	100
110		24,900	25,700	26,400	27,100	27,800	28,500	29,100	29,200	28,800	28,500	28,000	27,600	27,100	26,900	26,400		110
120				25,100	25,800	26,500	26,500	26,000	25,600	25,100	24,800	24,300	23,900	23,400	23,100	22,700		120
130					24,100	23,600	23,400	22,900	22,500	22,000	21,700	21,200	20,800	20,300	20,000	19,500		130
140							20,800	20,300	19,900	19,400	19,100	18,600	18,100	17,700	17,400	16,900		140
150								18,000	17,600	17,100	16,800	16,300	15,900	15,400	15,100	14,600		150
160										15,200	14,800	14,300	13,900	13,400	13,100	12,600		160
170												12,600	12,200	11,700	11,400	10,900		170
180													10,700	10,100	9,900	9,400		180
190														8,500	8,000			190

JIB POINT RADIUS: FEET	CAPACITIES IN POUNDS																	JIB POINT RADIUS: FEET
	BOOM LENGTH — FEET																	
	110	120	130	140	150	160	170	180	190	200	210	220	230	240	250	260		
110 *	20,000	20,000	20,000	20,000	20,000	20,000	20,000	20,000	20,000	20,000	20,000	20,000	20,000	20,000	20,000	20,000	20,000	110 *
115	19,400	20,000	20,000	20,000	20,000	20,000	20,000	20,000	20,000	20,000	20,000	20,000	20,000	20,000	20,000	20,000	20,000	115
120		19,500	20,000	20,000	20,000	20,000	20,000	20,000	20,000	20,000	20,000	20,000	20,000	20,000	20,000	20,000	20,000	120
125			19,600	20,000	20,000	20,000	20,000	20,000	20,000	20,000	20,000	20,000	20,000	20,000	20,000	20,000	20,000	125
130				19,100	19,700	20,000	20,000	20,000	20,000	20,000	20,000	20,000	20,000	20,000	20,000	20,000	20,000	130
140						19,300	18,800	20,000	20,000	20,000	19,800	19,500	19,000	18,600	18,200	17,900	17,400	140
150								18,900	18,400	18,000	17,500	17,200	16,700	16,300	15,900	15,600	15,100	150
160									16,400	16,000	15,500	15,200	14,800	14,300	13,900	13,600	13,100	160
170										13,800	13,500	13,000	12,600	12,100	11,800	11,300		170
180											12,000	11,500	11,100	10,600	10,300	9,800		180
190													9,700	9,200	8,900	8,400		190
200															7,600	7,200		200

JIB POINT RADIUS: FEET	CAPACITIES IN POUNDS																	JIB POINT RADIUS: FEET
	BOOM LENGTH — FEET																	
	110	120	130	140	150	160	170	180	190	200	210	220	230	240	250			
125 *	10,000	10,000	10,000	10,000	10,000	10,000	10,000	10,000	10,000	10,000	10,000	10,000	10,000	10,000	10,000	10,000		125 *
130		10,000	10,000	10,000	10,000	10,000	10,000	10,000	10,000	10,000	10,000	10,000	10,000	10,000	10,000	10,000		130
140			10,000	10,000	10,000	10,000	10,000	10,000	10,000	10,000	10,000	10,000	10,000	10,000	10,000	10,000		140
150					10,000	10,000	10,000	10,000	10,000	10,000	10,000	10,000	10,000	10,000	10,000	10,000		150
160						10,000	10,000	10,000	10,000	10,000	10,000	10,000	10,000	10,000	10,000	10,000		160
170								10,000	10,000	10,000	10,000	10,000	10,000	10,000	10,000	10,000		170
180									10,000	10,000	10,000	10,000	10,000	10,000	10,000	10,000		180
190										10,000	10,000	10,000	10,000	10,000	10,000	10,000		190
200													9,900	9,400	9,100			200
210														8,700	8,200	7,900		210

\* These capacities apply for ALL lesser radii obtainable.



# LIFTCRANE CAPACITIES

MEETS  
ANSI B30.5  
REQUIREMENTS

# 4100W SERIES 2 CRAWLER

**BOOM NO. 22C WITH OPEN THROAT TOP**  
**146,400 LB. CRANE COUNTERWEIGHT**  
**60,000 LB. CARBODY COUNTERWEIGHT**  
**26'6" CRAWLERS EXTENDED**

**WARNING:** This chart will apply only when two 12,000 lb. side ctwts. and two 30,000 lb. carbody ctwts. bear MEC registered Serial Numbers.

**LIFTING CAPACITIES:** Capacities for various boom lengths and operating radii are for freely suspended loads and do not exceed 75% of a static tipping load. Capacities based on structural competence are shown by shaded areas.

Upper boom point capacity for liftcrane service with single part whip line or combination of two single part lines is 28,300 lbs. In all cases, upper boom point capacities cannot exceed those listed for the main boom capacity.

Capacities are shown in pounds. Weight of upper boom point, jib, (see chart A), all load blocks, hooks, weight ball, slings, hoist lines, etc. beneath boom and jib point sheaves, is considered part of the main boom load. Boom is not to be lowered beyond radii where combined weights are greater than rated capacity. Where no capacity is shown, operation is not intended or approved.

**OPERATING CONDITIONS:** Machine to operate in a level position on a firm surface with crawlers fully extended and gantry in working position and be rigged in accordance with and under conditions referred to in rigging drawing No. 190693 and load line specification chart No. 6592-A.

Crane operator judgment must be used to allow for dynamic load effects of swinging, hoisting or lowering, travel, wind conditions, as well as adverse operating conditions and physical machine depreciation.

**OPERATING RADIUS:** Operating radius is the horizontal distance from the axis of rotation to the center of vertical hoist line or load block with the load freely suspended. Add 14" to boom point radius for radius of sheave when using single part hoist line.

Boom angle is the angle between horizontal and centerline of boom butt and inserts and is an indication of operating radius. In all cases, operating radius shall govern capacity.

**BOOM POINT ELEVATION:** Boom point elevation, in feet, is the vertical distance from ground level to centerline of boom point shaft.

**MACHINE EQUIPMENT:** Machine equipped with 26'6" extendible crawlers, 48" treads, 17' retractable gantry, 12 part boom hoist reeving, four 1 3/8" boom pendants, 1st ctwt. 41,900 lbs., 2nd ctwt. 41,500 lbs., 3rd ctwt. 39,000 lbs., two 12,000 lbs. side ctwt's. and two 30,000 lbs. carbody ctwt's.

HOIST REEVEING FOR MAIN LOAD BLOCK						
No. Parts of Line	1	2	3	4	5	6
Max. Load — Lbs.	32,500	65,000	97,500	130,000	162,500	195,000
No. Parts of Line	7	8	9	10	11	12
Max. Load — Lbs.	227,500	260,000	292,500	325,000	357,500	400,000
No. Parts of Line	13	14				
Max. Load — Lbs.	430,000	460,000				

LOAD AND WHIP LINE SPECIFICATIONS	
LOAD LINE: 1-1/8" — 6x31 Warrington-Seale, Extra Improved Plow Steel, Regular Lay, IWRC. Minimum Breaking Strength 65 Ton. (Approx. Weight Per Ft. in Lbs. 2.34)	
WHIP LINE: 1-1/8" — 6x31 Warrington-Seale, Improved Plow Steel, Regular Lay, IWRC. Minimum Breaking Strength 56.5 Ton. Maximum Load — 28,300 Lbs. Per Line. (Approx. Weight Per Ft. in Lbs. 2.34)	

MAXIMUM BOOM AND JIB LENGTHS LIFTED UNASSISTED				(A) DEDUCT FROM CAPACITIES WHEN JIB IS ATTACHED	
OVER FRONT OF CRAWLERS		OVER SIDE OF EXTENDED CRAWLERS		Jib Lgth.	Jib No. 123
Boom Lgth.	Jib No. 123	Boom Lgth.	Jib No. 123		
260'	—	260'	—	30'	3,000 Lb.
250'	—	250'	—	40'	3,600 Lb.
240'	40'	240'	40'	50'	4,200 Lb.
230'	60'	230'	60'	60'	4,900 Lb.
Load block, hook and weight ball on ground at start. To comply with B30.5 requirements, upper boom point cannot be used on 260' boom.				Jib deducts include jib adaptor.	

### DEDUCT FROM CAPACITIES WHEN UPPER BOOM POINT IS ATTACHED

One Sheave Point 1,200 lbs.  
Two Sheave Point 1,500 lbs.

For jib capacities, consult jib chart.

Boom Lgth.: Feet	Oper. Rad.: Feet	Boom Ang.: Deg.	Boom Point: Elev.	Capacity: Crawlers Extended	Boom Lgth.: Feet	Oper. Rad.: Feet	Boom Ang.: Deg.	Boom Point: Elev.	Capacity: Crawlers Extended	Boom Lgth.: Feet	Oper. Rad.: Feet	Boom Ang.: Deg.	Boom Point: Elev.	Capacity: Crawlers Extended	Boom Lgth.: Feet	Oper. Rad.: Feet	Boom Ang.: Deg.	Boom Point: Elev.	Capacity: Crawlers Extended
16.5	79.7	75.9	460,000	17	80.6	85.9	392,800	18	81.1	95.9	355,400	19	81.4	95.9	346,900	19	81.4	105.9	332,900
17	79.3	75.8	400,000	18	79.9	85.8	378,900	19	80.4	95.7	346,900	20	80.8	95.7	336,900	20	80.8	105.7	327,100
18	78.5	75.6	380,100	19	79.2	85.6	361,800	20	79.8	95.6	336,900	22	79.6	95.4	316,200	22	79.6	105.4	316,200
19	77.6	75.4	363,000	20	78.5	85.4	346,100	22	78.5	95.2	317,400	24	78.5	105.0	290,800	24	78.5	105.0	290,800
20	76.8	75.1	347,300	22	77.0	84.9	318,400	24	77.2	94.7	291,700	26	77.3	104.5	263,900	26	77.3	104.5	263,900
22	75.1	74.6	319,600	24	75.5	84.5	292,500	26	75.9	94.3	264,800	28	76.1	104.1	236,200	28	76.1	104.1	236,200
24	73.4	74.1	293,400	26	74.0	83.9	265,600	28	74.5	93.7	236,600	30	74.9	103.6	212,900	30	74.9	103.6	212,900
26	71.7	73.5	266,100	28	72.5	83.3	237,000	30	73.2	93.2	213,400	32	73.7	103.0	193,700	32	73.7	103.0	193,700
28	69.9	72.8	237,500	30	71.0	82.7	213,800	32	71.9	92.5	194,200	34	72.5	102.4	177,500	34	72.5	102.4	177,500
30	68.2	72.0	214,300	32	69.5	81.9	194,600	34	70.5	91.9	178,000	36	71.3	101.7	163,700	36	71.3	101.7	163,700
32	66.4	71.2	195,100	34	68.0	81.2	178,500	36	69.2	91.1	164,200	38	70.1	101.0	151,800	38	70.1	101.0	151,800
34	64.6	70.2	178,900	36	66.4	80.3	164,700	38	67.8	90.3	152,300	40	68.9	100.3	141,400	40	68.9	100.3	141,400
36	62.8	69.3	165,200	38	64.8	79.4	152,800	40	66.4	89.5	142,000	45	65.8	98.2	120,500	45	65.8	98.2	120,500
38	60.9	68.2	153,300	40	63.3	78.4	142,400	45	62.9	87.1	121,100	50	62.6	95.8	104,700	50	62.6	95.8	104,700
40	59.1	67.0	143,000	45	59.2	75.7	121,500	50	59.3	84.4	105,200	55	59.3	93.0	92,300	55	59.3	93.0	92,300
45	54.1	63.7	122,100	50	54.9	72.5	105,700	55	55.5	81.2	92,800	60	55.9	89.8	82,300	60	55.9	89.8	82,300
50	48.9	59.8	106,300	55	50.4	68.6	93,300	60	51.5	77.5	82,900	65	52.4	86.2	74,100	65	52.4	86.2	74,100
55	43.2	54.9	93,900	60	45.6	64.1	83,400	65	47.3	73.2	74,700	70	48.7	82.1	67,200	70	48.7	82.1	67,200
60	36.9	49.0	84,000	65	40.3	58.8	75,200	70	42.8	68.2	67,800	75	44.8	77.4	61,400	75	44.8	77.4	61,400
65	29.4	41.3	75,800	70	34.4	52.2	68,300	75	37.9	62.3	62,000	80	40.5	72.0	56,400	80	40.5	72.0	56,400
70	19.5	30.3	63,900	75	27.4	43.9	62,500	80	32.4	55.2	57,000	85	35.9	65.6	52,000	85	35.9	65.6	52,000
				80	18.2	32.0	53,900	85	25.8	46.2	52,600	90	30.7	58.0	48,200	90	30.7	58.0	48,200
								90	17.1	33.5	45,900	95	24.5	48.5	44,900	95	24.5	48.5	44,900
												100	16.3	35.0	39,300	100	16.3	35.0	39,300

**WARNING! CHECK AMOUNT OF COUNTERWEIGHT ON MACHINE BEFORE USE OF THIS CHART.**

Capacities continued on reverse side.



Boom Lgth.: Feet	Oper. Rad.: Feet	Boom Ang.: Deg.	Boom Point: Elev.	Capacity: Crawlers Extended	Boom Lgth.: Feet	Oper. Rad.: Feet	Boom Ang.: Deg.	Boom Point: Elev.	Capacity: Crawlers Extended	Boom Lgth.: Feet	Oper. Rad.: Feet	Boom Ang.: Deg.	Boom Point: Elev.	Capacity: Crawlers Extended	Boom Lgth.: Feet	Oper. Rad.: Feet	Boom Ang.: Deg.	Boom Point: Elev.	Capacity: Crawlers Extended
22	80.6	115.5	291,600	105	43.8	103.9	37,200	32	81.1	184.8	180,000	2	175	31.2	110.7	13,300			
24	79.5	115.2	282,900	110	40.8	98.5	34,700	34	80.4	184.5	174,100	2	180	28.4	102.0	12,400			
26	78.5	114.8	263,200	115	37.5	92.3	32,500	36	79.8	184.1	160,300	2	185	25.2	92.1	11,700			
28	77.4	114.3	235,800	120	34.0	85.4	30,500	38	79.1	183.8	148,300	2	190	21.6	80.5	10,900			
30	76.3	113.9	212,500	125	30.2	77.4	28,700	40	78.5	183.4	137,900	2	195	17.3	66.3	8,500			
32	75.3	113.4	193,300	130	25.8	68.0	27,000	45	76.8	182.3	116,900	36	81.2	214.5	146,000				
34	74.2	112.8	177,100	135	20.7	56.4	25,500	50	75.2	181.0	101,000	38	80.7	214.2	143,900				
36	73.1	112.2	163,300	28	80.8	155.1	218,600	55	73.5	179.6	88,500	40	80.1	213.9	136,600				
38	72.0	111.6	151,400	30	80.0	154.7	210,300	60	71.9	178.1	78,500	45	78.7	213.0	115,500				
40	70.9	110.9	141,000	32	79.2	154.4	191,600	65	70.2	176.3	70,300	50	77.3	211.9	99,600				
45	68.1	109.1	120,100	34	78.5	154.0	175,400	70	68.5	174.5	63,400	55	75.9	210.7	87,100				
50	65.3	106.9	104,200	36	77.7	153.5	161,600	75	66.8	172.4	57,500	60	74.5	209.4	77,100				
55	62.4	104.5	91,800	38	76.9	153.1	149,600	80	65.0	170.2	52,500	65	73.1	207.9	68,800				
60	59.4	101.7	81,800	40	76.1	152.6	139,200	85	63.3	167.7	48,100	70	71.7	206.4	61,900				
65	56.3	98.5	73,600	45	74.1	151.3	118,200	90	61.5	165.1	44,300	75	70.2	204.6	56,100				
70	53.1	95.0	66,800	50	72.1	149.8	102,400	95	59.6	162.3	40,900	80	68.8	202.8	51,000				
75	49.8	91.0	60,900	55	70.1	148.1	89,900	100	57.8	159.3	37,900	85	67.3	200.7	46,700				
80	46.3	86.5	55,900	60	68.1	146.2	79,900	105	55.9	156.0	35,200	90	65.8	198.6	42,800				
85	42.6	81.4	51,600	65	66.0	144.0	71,700	110	53.9	152.5	32,700	95	64.3	196.3	39,400				
90	38.6	75.6	47,800	70	63.9	141.7	64,800	115	51.9	148.7	30,500	100	62.8	193.8	36,400				
95	34.2	68.8	44,400	75	61.7	139.1	59,000	120	49.9	144.6	28,500	105	61.3	191.1	33,700				
100	29.2	60.7	41,400	80	59.6	136.3	53,900	125	47.8	140.3	26,700	110	59.7	188.3	31,300				
105	23.3	50.6	38,700	85	57.3	133.2	49,600	130	45.6	135.5	25,000	115	58.1	185.3	29,100				
110	15.5	36.4	33,900	90	55.0	129.9	45,700	135	43.3	130.4	23,500	120	56.5	182.1	27,100				
22	81.4	125.6	285,000	95	52.7	126.2	42,400	140	40.9	124.9	22,000	125	54.8	178.6	25,200				
24	80.4	125.3	271,700	100	50.2	122.3	39,400	145	38.4	118.9	20,700	130	53.1	175.0	23,500				
26	79.4	125.0	259,800	105	47.7	117.9	36,700	150	35.8	112.3	19,500	135	51.4	171.1	22,000				
28	78.5	124.6	235,300	110	45.0	113.1	34,200	155	33.0	105.0	18,300	140	49.6	167.0	20,600				
30	77.5	124.1	212,100	115	42.3	107.9	32,000	160	29.9	96.8	17,200	145	47.8	162.6	19,200				
32	76.5	123.7	192,800	120	39.3	102.1	30,000	165	26.6	87.5	16,200	150	46.0	157.9	18,000				
34	75.5	123.2	176,600	125	36.2	95.7	28,200	170	22.7	76.6	15,300	155	44.0	152.9	16,800				
36	74.5	122.7	162,800	130	32.9	88.4	26,500	175	18.2	63.2	13,500	160	42.0	147.6	15,800				
38	73.5	122.1	150,900	135	29.2	80.1	25,000	32	81.5	194.9	171,000	165	39.9	141.8	14,800				
40	72.5	121.5	140,500	140	25.0	70.3	23,500	34	80.9	194.6	166,100	170	37.8	135.6	13,800				
45	70.0	119.8	119,500	145	19.9	58.2	22,200	36	80.3	194.3	159,800	175	35.5	128.9	12,900				
50	67.5	117.8	103,700	28	81.4	165.2	208,500	38	79.7	193.9	147,900	180	33.1	121.6	12,100				
55	64.8	115.6	91,300	30	80.6	164.9	203,500	40	79.1	193.6	137,400	185	30.5	113.5	11,300				
60	62.2	113.1	81,300	32	79.9	164.5	191,100	45	77.5	192.5	116,400	190	27.7	104.5	10,600				
65	59.4	110.3	73,100	34	79.2	164.2	174,900	50	76.0	191.3	100,500	195	24.6	94.3	9,900				
70	56.6	107.2	66,200	36	78.5	163.8	161,000	55	74.4	190.0	88,000	200	21.0	82.4	8,800				
75	53.7	103.7	60,400	38	77.7	163.3	149,100	60	72.9	188.6	78,000	205	16.8	67.8	6,500				
80	50.7	99.9	55,300	40	77.0	162.9	138,700	65	71.3	186.9	69,700	38	81.1	224.4	135,900				
85	47.5	95.5	51,000	45	75.2	161.7	117,700	70	69.7	185.2	62,800	40	80.6	224.0	133,400				
90	44.2	90.7	47,200	50	73.3	160.2	101,800	75	68.1	183.2	57,000	45	79.3	223.1	115,000				
95	40.7	85.2	43,800	55	71.4	158.7	89,300	80	66.4	181.1	52,000	50	77.9	222.1	99,100				
100	36.9	79.0	40,800	60	69.5	156.9	79,300	85	64.8	178.9	47,600	55	76.6	221.0	86,600				
105	32.7	71.8	38,100	65	67.6	154.9	71,100	90	63.1	176.4	43,800	60	75.3	219.8	76,600				
110	28.0	63.2	35,700	70	65.6	152.8	64,200	95	61.4	173.8	40,400	65	73.9	218.4	68,300				
115	22.3	52.6	33,500	75	63.7	150.4	58,400	100	59.7	171.0	37,400	70	72.5	216.9	61,400				
24	81.2	135.5	260,000	80	61.6	147.8	53,300	105	57.9	167.9	34,700	75	71.2	215.2	55,500				
26	80.3	135.1	248,600	85	59.6	145.0	49,000	110	56.1	164.7	32,200	80	69.8	213.5	50,500				
28	79.4	134.8	234,700	90	57.5	141.9	45,100	115	54.3	161.2	30,000	85	68.4	211.5	46,100				
30	78.5	134.4	211,800	95	55.3	138.6	41,800	120	52.4	157.5	28,000	90	67.0	209.5	42,300				
32	77.6	133.9	192,500	100	53.1	135.0	38,700	125	50.4	153.5	26,200	95	65.6	207.3	38,900				
34	76.7	133.5	176,300	105	50.9	131.1	36,000	130	48.5	149.2	24,500	100	64.1	204.9	35,800				
36	75.7	133.0	162,500	110	48.5	126.8	33,600	135	46.4	144.6	22,900	105	62.7	202.4	33,100				
38	74.8	132.5	150,600	115	46.1	122.2	31,400	140	44.3	139.7	21,500	110	61.2	199.8	30,700				
40	73.9	131.9	140,200	120	43.5	117.2	29,400	145	42.1	134.4	20,200	115	59.7	196.9	28,500				
45	71.6	130.4	119,300	125	40.9	111.7	27,600	150	39.8	128.6	18,900	120	58.2	193.9	26,500				
50	69.3	128.6	103,400	130	38.0	105.6	25,900	155	37.4	122.3	17,800	125	56.6	190.7	24,600				
55	66.9	126.6	91,000	135	35.0	98.9	24,300	160	34.8	115.5	16,700	130	55.1	187.3	23,000				
60	64.5	124.3	81,000	140	31.8	91.3	22,900	165	32.1	107.9	15,700	135	53.5	183.7	21,400				
65	62.0	121.8	72,800	145	28.2	82.6	21,600	170	29.1	99.4	14,800	140	51.8	179.9	20,000				
70	59.5	119.0	65,900	150	24.1	72.5	20,400	175	25.8	89.8	13,900	145	50.1	175.9	18,600				
75	56.9	115.9	60,000	155	19.3	59.9	19,200	180	22.1	78.6	13,100	150	48.4	171.6	17,400				
80	54.2	112.5	55,000	30	81.2	175.0	192,600	185	17.7	64.8	11,000	155	46.7	167.0	16,300				
85	51.5	108.7	50,700	32	80.5	174.7	188,400	34	81.4	204.7	157,200	160	44.8	162.1	15,200				
90	48.6	104.5	46,800	34	79.8	174.3	174,600	36	80.8	204.4	153,500	165	43.0	156.9	14,200				
95	45.6	99.8	43,500	36	79.2	174.0	160,800	38	80.2	204.1	147,400	170	41.0	151.4	13,200				
100	42.4	94.7	40,500	38	78.5	173.6	148,800	40	79.6	203.7	136,900	175	39.0	145.4	12,300				
105	39.0	88.8	37,800	40	77.8	173.1	138,400	45	78.2	202.8	115,900	180	36.9	139.0	11,500				
110	35.4	82.3	35,300	45	76.0	172.0	117,400	50	76.7	201.6	100,000	185	34.6	132.1	10,700				
115	31.4	74.7	33,100	50	74.3	170.7	101,500	55	75.2	200.4	87,500	190	32.3	124.5	10,000				
120	26.8	65.7	31,100	55	72.5	169.2	89,100	60	73.7	199.0	77,400	195	29.8	116.2	9,300				
125	21.4	54.5	29,300	60	70.8	167.5	79,000	65	72.2	197.5	69,200	200	27.0	106.9	8,600				
26	81.0	145.3	239,700	65	69.0	165.7	70,800	70	70.7	195.8	62,300	205	24.0	96.4	8,000				
28	80.1	144.9	230,800	70	67.2	163.7	63,900	75	69.2	194.0	56,400	210	20.6	84.2	6,500				
30	79.3	144.6	211,300	75	65.3	161.5	58,100	80	67.7	192.0	51,400	215	16.4	69.3	4,400				



Boom Lgth.: Feet	Oper. Rad.: Feet	Boom Angle: Deg.	Boom Point: Elev.	Capacity: Crawlers Extended
38	81.5	234.5	132,900	
40	81.0	234.2	125,200	
45	79.7	233.3	114,500	
50	78.5	232.4	98,600	
55	77.2	231.3	86,100	
60	75.9	230.1	76,100	
65	74.6	228.8	67,800	
70	73.3	227.3	60,900	
75	72.0	225.8	55,000	
80	70.7	224.1	50,000	
85	69.4	222.3	45,600	
90	68.0	220.3	41,700	
95	66.7	218.2	38,400	
100	65.3	216.0	35,300	
105	64.0	213.6	32,600	
110	62.6	211.1	30,200	
115	61.1	208.4	28,000	
120	59.7	205.6	26,000	
125	58.3	202.6	24,100	
130	56.8	199.4	22,400	
135	55.3	196.0	20,900	
140	53.8	192.5	19,400	
145	52.2	188.7	18,100	
150	50.6	184.7	16,900	
155	49.0	180.5	15,700	
160	47.3	176.0	14,700	
165	45.6	171.3	13,600	
170	43.8	166.2	12,700	
175	42.0	160.8	11,800	
180	40.1	155.1	11,000	
185	38.1	148.9	10,200	
190	36.0	142.3	9,400	
195	33.9	135.1	8,700	
200	31.6	127.3	8,100	
205	29.1	118.8	7,400	
210	26.4	109.3	6,800	
215	23.5	98.5	6,100	
220	20.1	86.0	4,400	
40	81.4	244.3	123,400	
45	80.2	243.5	112,600	
50	78.9	242.6	98,100	
55	77.7	241.5	85,600	
60	76.5	240.4	75,600	
65	75.3	239.1	67,300	
70	74.0	237.7	60,400	
75	72.8	236.3	54,500	
80	71.5	234.6	49,500	
85	70.3	232.9	45,100	
90	69.0	231.1	41,200	
95	67.7	229.1	37,800	
100	66.4	227.0	34,800	
105	65.1	224.7	32,100	
110	63.8	222.3	29,700	
115	62.5	219.8	27,400	
120	61.1	217.1	25,400	
125	59.7	214.3	23,600	
130	58.3	211.3	21,900	
135	56.9	208.1	20,300	
140	55.5	204.7	18,900	
145	54.0	201.2	17,600	
150	52.5	197.5	16,300	
155	51.0	193.5	15,200	
160	49.5	189.4	14,100	
165	47.9	185.0	13,100	
170	46.2	180.3	12,200	
175	44.6	175.4	11,300	
180	42.8	170.2	10,400	
185	41.0	164.6	9,600	
190	39.2	158.7	8,900	
195	37.3	152.3	8,200	
200	35.2	145.5	7,500	
205	33.1	138.1	6,700	
210	30.9	130.1	6,000	
215	28.5	121.4	5,300	
220	25.8	111.6	4,700	
225	23.0	100.6	4,000	

Boom Lgth.: Feet	Oper. Rad.: Feet	Boom Angle: Deg.	Boom Point: Elev.	Capacity: Crawlers Extended
45	80.6	253.6	106,600	
50	79.4	252.7	97,800	
55	78.2	251.7	85,200	
60	77.1	250.6	75,200	
65	75.9	249.4	66,900	
70	74.7	248.1	60,000	
75	73.5	246.7	54,100	
80	72.3	245.2	49,100	
85	71.1	243.5	44,700	
90	69.9	241.7	40,800	
95	68.7	239.8	37,400	
100	67.4	237.8	34,400	
105	66.2	235.7	31,700	
110	64.9	233.4	29,300	
115	63.6	231.0	27,100	
120	62.4	228.5	25,000	
125	61.1	225.8	23,200	
130	59.7	222.9	21,500	
135	58.4	219.9	20,000	
140	57.0	216.8	18,500	
145	55.7	213.4	17,200	
150	54.3	209.9	16,000	
155	52.8	206.2	14,800	
160	51.4	202.4	13,700	
165	49.9	198.3	12,700	
170	48.4	193.9	11,800	
175	46.8	189.4	10,900	
180	45.3	184.5	10,100	
185	43.6	179.4	9,300	
190	41.9	174.0	8,500	
195	40.2	168.3	7,800	
200	38.4	162.2	7,000	
205	36.5	155.7	6,200	
210	34.5	148.7	5,500	
215	32.4	141.1	4,800	
220	30.2	132.9	4,100	
45	80.9	263.7	104,800	
50	79.8	262.9	95,700	
55	78.7	261.9	84,700	
60	77.6	260.9	74,700	
65	76.4	259.7	66,400	
70	75.3	258.5	59,500	
75	74.2	257.1	53,600	
80	73.0	255.6	48,500	
85	71.8	254.1	44,100	
90	70.7	252.4	40,300	
95	69.5	250.6	36,900	
100	68.3	248.6	33,900	
105	67.1	246.6	31,100	
110	65.9	244.4	28,700	
115	64.7	242.1	26,500	
120	63.5	239.7	24,500	
125	62.3	237.1	22,600	
130	61.0	234.4	20,900	
135	59.7	231.6	19,400	
140	58.5	228.6	17,900	
145	57.2	225.4	16,600	
150	55.8	222.1	15,400	
155	54.5	218.7	14,200	
160	53.1	215.0	13,100	
165	51.7	211.2	12,100	
170	50.3	207.1	11,200	
175	48.9	202.9	10,300	
180	47.4	198.4	9,500	
185	45.9	193.7	8,700	
190	44.3	188.7	7,900	
195	42.7	183.4	7,000	
200	41.1	177.8	6,200	
205	39.4	171.9	5,400	
210	37.6	165.6	4,700	
215	35.8	158.9	4,000	

230

250

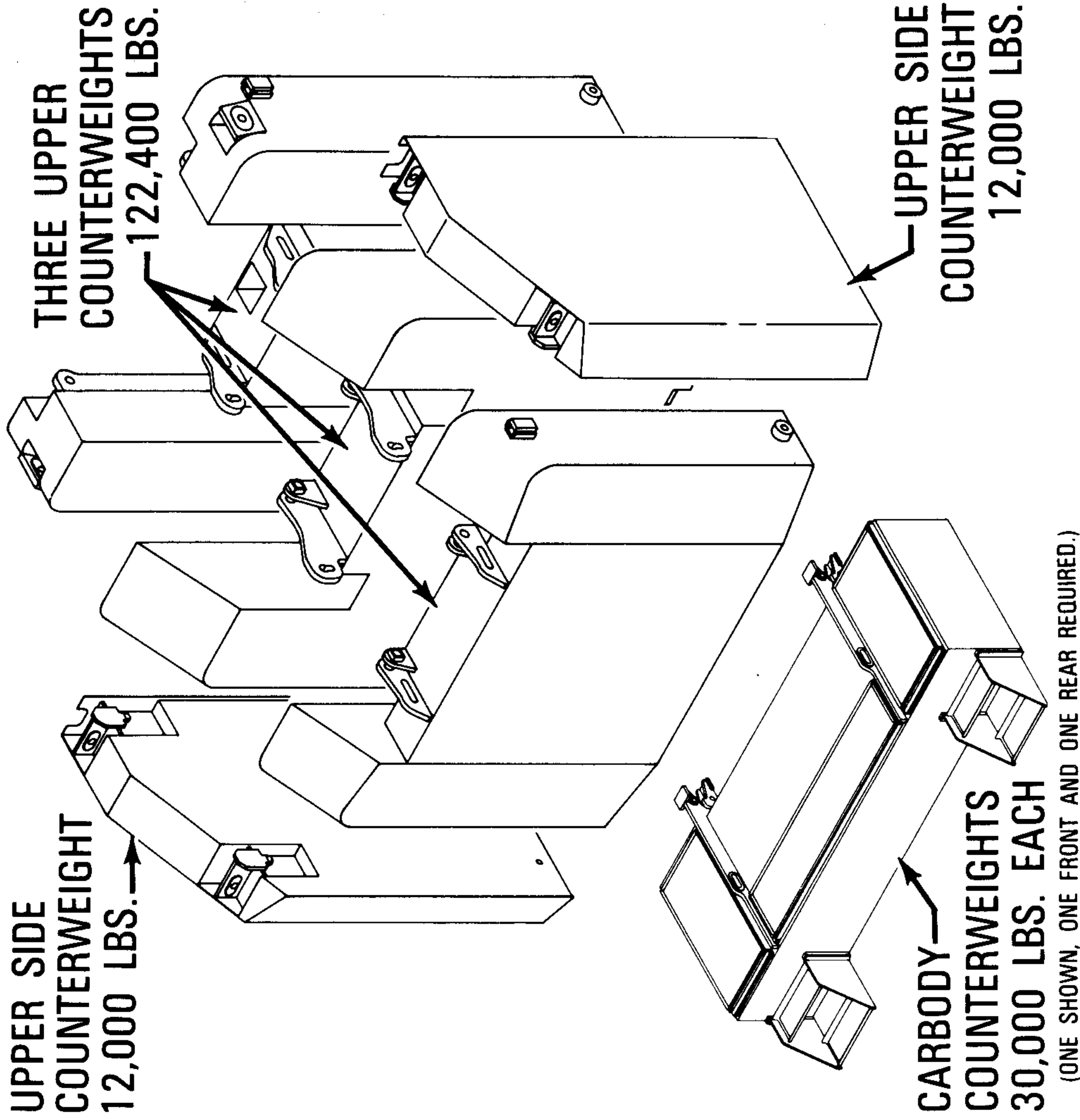
240

260

# CAUTION

BOTH CARBODY COUNTERWEIGHTS MUST ALWAYS BE ATTACHED TO CARBODY BEFORE ATTACHING THE UPPER SIDE COUNTERWEIGHTS TO THE UPPER COUNTERWEIGHTS. LIKEWISE, THE UPPER SIDE COUNTERWEIGHTS MUST BE REMOVED FROM THE UPPER COUNTERWEIGHTS BEFORE REMOVING THE CARBODY COUNTERWEIGHTS. NEVER OPERATE THE MACHINE WITH UPPER SIDE COUNTERWEIGHTS IN PLACE UNLESS BOTH CARBODY COUNTERWEIGHTS ARE ALSO IN PLACE.

## 4100W SERIES 2









Boom Lgth.: Feet	Oper. Rad.: Feet	Boom Ang.: Deg.	Boom Point: Elev.	Capacity: Crawlers Extended	Boom Lgth.: Feet	Oper. Rad.: Feet	Boom Ang.: Deg.	Boom Point: Elev.	Capacity: Crawlers Extended	Boom Lgth.: Feet	Oper. Rad.: Feet	Boom Ang.: Deg.	Boom Point: Elev.	Capacity: Crawlers Extended	Boom Lgth.: Feet	Oper. Rad.: Feet	Boom Ang.: Deg.	Boom Point: Elev.	Capacity: Crawlers Extended
22	82.3	115.7		240,500	140	105	45.3	104.2	37,200	180	32	82.1	185.0	158,700	200	175	32.3	111.1	13,300
24	81.3	115.4		232,100		110	42.2	98.8	34,700		34	81.5	184.7	154,000		180	29.4	102.4	12,400
26	80.2	115.0		224,400		115	39.0	92.7	32,500		36	80.8	184.3	149,500		185	26.2	92.5	11,700
28	79.1	114.6		217,900		120	35.5	85.7	30,500		38	80.2	184.0	145,200		190	22.6	81.0	10,900
30	78.1	114.1		210,700		125	31.7	77.8	28,700		40	79.5	183.6	137,900		195	18.4	67.0	8,500
32	77.0	113.6		193,300		130	27.4	68.5	27,000		45	77.9	182.5	116,900	36	82.1	214.7	134,200	
34	75.9	113.1		177,100		135	22.2	57.0	25,500		50	76.3	181.2	101,000	38	81.6	214.4	131,000	
36	74.8	112.5		163,300		28	82.1	155.3	185,600		55	74.6	179.8	88,500	40	81.0	214.1	127,900	
38	73.7	111.8		151,400		30	81.3	154.9	179,600		60	72.9	178.3	78,500	45	79.6	213.2	115,500	
40	72.6	111.2		141,000		32	80.5	154.6	174,000		65	71.3	176.6	70,300	50	78.3	212.1	99,600	
45	69.9	109.3		120,100	34	79.7	154.2	168,800	70	69.6	174.7	63,400	55	76.9	210.9	87,100			
50	67.0	107.2		104,200	36	79.0	153.8	161,600	75	67.8	172.6	57,500	60	75.4	209.6	77,100			
55	64.1	104.7		91,800	38	78.2	153.3	149,600	80	66.1	170.4	52,500	65	74.0	208.1	68,800			
60	61.2	101.9		81,800	40	77.4	152.8	139,200	85	64.3	168.0	48,100	70	72.6	206.6	61,900			
65	58.1	98.8		73,600	45	75.4	151.5	118,200	90	62.5	165.4	44,300	75	71.2	204.8	56,100			
70	54.9	95.3		66,800	50	73.4	150.0	102,400	95	60.7	162.5	40,900	80	69.7	203.0	51,000			
75	51.6	91.3		60,900	55	71.4	148.3	89,900	100	58.9	159.5	37,900	85	68.2	201.0	46,700			
80	48.1	86.8		55,900	60	69.4	146.4	79,900	105	57.0	156.2	35,200	90	66.7	198.8	42,800			
85	44.4	81.7		51,600	65	67.3	144.3	71,700	110	55.0	152.7	32,700	95	65.2	196.5	39,400			
90	40.4	75.9		47,800	70	65.2	141.9	64,800	115	53.0	149.0	30,500	100	63.7	194.0	36,400			
95	36.1	69.2		44,400	75	63.0	139.4	59,000	120	51.0	144.9	28,500	105	62.2	191.3	33,700			
100	31.1	61.1		41,400	80	60.9	136.6	53,900	125	48.9	140.5	26,700	110	60.6	188.5	31,300			
105	25.3	51.1		38,700	85	58.6	133.5	49,600	130	46.7	135.8	25,000	115	59.0	185.5	29,100			
110	17.6	37.2		33,900	90	56.3	130.1	45,700	135	44.4	130.7	23,500	120	57.4	182.3	27,100			
22	83.0	125.9		228,700	95	54.0	126.5	42,400	140	42.0	125.2	22,000	125	55.7	178.9	25,200			
24	82.0	125.5		220,500	100	51.5	122.5	39,400	145	39.6	119.2	20,700	130	54.1	175.2	23,500			
26	81.0	125.2		213,000	105	49.0	118.2	36,700	150	36.9	112.6	19,500	135	52.3	171.4	22,000			
28	80.0	124.8		206,100	110	46.4	113.4	34,200	155	34.1	105.3	18,300	140	50.6	167.3	20,600			
30	79.1	124.4		199,700	115	43.6	108.2	32,000	160	31.1	97.2	17,200	145	48.8	162.9	19,200			
32	78.1	123.9		192,800	120	40.7	102.4	30,000	165	27.7	87.9	16,200	150	46.9	158.2	18,000			
34	77.1	123.4		176,600	125	37.6	96.0	28,200	170	23.9	77.1	15,300	155	45.0	153.2	16,800			
36	76.1	122.9		162,800	130	34.2	88.8	26,500	175	19.4	63.8	13,500	160	43.0	147.9	15,800			
38	75.1	122.3		150,900	135	30.5	80.5	25,000	32	82.5	195.1	153,100	165	40.9	142.1	14,800			
40	74.1	121.7		140,500	140	26.4	70.8	23,500	34	81.9	194.8	148,800	170	38.7	135.9	13,800			
45	71.6	120.0		119,500	145	21.4	58.8	22,200	36	81.3	194.5	144,800	175	36.5	129.2	12,900			
50	69.1	118.1		103,700	28	82.6	165.4	179,800	38	80.7	194.1	140,800	180	34.0	121.9	12,100			
55	66.5	115.9		91,300	30	81.8	165.1	173,900	40	80.1	193.8	137,000	185	31.5	113.9	11,300			
60	63.8	113.4		81,300	32	81.1	164.7	168,400	45	78.5	192.7	116,400	190	28.7	104.9	10,600			
65	61.1	110.6		73,100	34	80.4	164.4	163,300	50	77.0	191.5	100,500	195	25.6	94.7	9,900			
70	58.3	107.5		66,200	36	79.7	164.0	158,600	55	75.4	190.2	88,000	200	22.1	82.9	8,800			
75	55.4	104.0		60,400	38	78.9	163.6	149,100	60	73.9	188.8	78,000	205	17.9	68.5	6,500			
80	52.4	100.1		55,300	40	78.2	163.1	138,700	65	72.3	187.1	69,700	38	82.0	224.6	125,700			
85	49.2	95.8		51,000	45	76.3	161.9	117,700	70	70.7	185.4	62,800	40	81.4	224.2	122,800			
90	45.9	91.0		47,200	50	74.5	160.5	101,800	75	69.1	183.4	57,000	45	80.1	223.3	115,000			
95	42.4	85.5		43,800	55	72.6	158.9	89,300	80	67.4	181.4	52,000	50	78.8	222.3	99,100			
100	38.6	79.4		40,800	60	70.7	157.1	79,300	85	65.8	179.1	47,600	55	77.5	221.2	86,600			
105	34.4	72.2		38,100	65	68.8	155.1	71,100	90	64.1	176.6	43,800	60	76.1	220.0	76,600			
110	29.7	63.7		35,700	70	66.8	153.0	64,200	95	62.4	174.0	40,400	65	74.8	218.6	68,300			
115	24.1	53.2		33,500	75	64.9	150.6	58,400	100	60.7	171.2	37,400	70	73.4	217.1	61,400			
24	82.6	135.7		212,700	80	62.9	148.0	53,300	105	58.9	168.2	34,700	75	72.0	215.4	55,500			
26	81.7	135.3		205,300	85	60.8	145.2	49,000	110	57.1	164.9	32,200	80	70.7	213.7	50,500			
28	80.8	135.0		198,600	90	58.7	142.2	45,100	115	55.3	161.4	30,000	85	69.3	211.8	46,100			
30	79.9	134.6		192,300	95	56.6	138.8	41,800	120	53.4	157.7	28,000	90	67.9	209.7	42,300			
32	79.0	134.2		186,500	100	54.4	135.2	38,700	125	51.5	153.7	26,200	95	66.4	207.5	38,900			
34	78.1	133.7		176,300	105	52.1	131.4	36,000	130	49.5	149.5	24,500	100	65.0	205.2	35,800			
36	77.2	133.2		162,500	110	49.7	127.1	33,600	135	47.5	144.9	22,900	105	63.6	202.7	33,100			
38	76.3	132.7		150,600	115	47.3	122.5	31,400	140	45.3	140.0	21,500	110	62.1	200.0	30,700			
40	75.4	132.1		140,200	120	44.8	117.5	29,400	145	43.1	134.6	20,200	115	60.6	197.2	28,500			
45	73.1	130.6		119,300	125	42.1	112.0	27,600	150	40.8	128.9	18,900	120	59.1	194.2	26,500			
50	70.8	128.8		103,400	130	39.3	105.9	25,900	155	38.4	122.6	17,800	125	57.5	191.0	24,600			
55	68.4	126.8		91,000	135	36.3	99.2	24,300	160	35.9	115.8	16,700	130	55.9	187.6	23,000			
60	66.0	124.6		81,000	140	33.1	91.7	22,900	165	33.2	108.3	15,700	135	54.3	184.0	21,400			
65	63.5	122.0		72,800	145	29.5	83.0	21,600	170	30.2	99.8	14,800	140	52.7	180.2	20,000			
70	61.0	119.2		65,900	150	25.5	72.9	20,400	175	27.0	90.3	13,900	145	51.0	176.1	18,600			
75	58.4	116.1		60,000	155	20.7	60.5	19,200	180	23.3	79.1	13,100	150	49.3	171.8	17,400			
80	55.7	112.7		55,000	30	82.3	175.2	169,000	185	18.9	65.4	11,000	155	47.6	167.3	16,300			
85	53.0	108.9		50,700	32	81.6	174.9	163,600	34	81.7	204.6	139,500	160	45.7	162.4	15,200			
90	50.1	104.8		46,800	34	81.0	174.5	158,700	36	81.2	204.3	136,000	165	43.9	157.2	14,200			
95	47.1	100.1		43,500	36	80.3	174.2	154,000	38	80.6	203.9	132,500	170	41.9	151.7	13,200			
100	43.9	95.0		40,500	38	79.6	173.8	148,800	40	80.6	203.0	115,900	175	39.9	145.7	12,300			
105	40.6	89.2		37,800	40	78.9	173.3	138,400	45	79.1	203.0	115,900	180	37.8	139.3	11,500			
110	36.9	82.6		35,300	45	77.2	172.2	117,400	50	77.7	201.8	100,000	185	35.6	132.4	10,700			
115	33.0	75.1		33,100	50	75.4	170.9	101,500	55	76.2	200.6	87,500	190	33.2	124.8	10,000			
120	28.5	66.1		31,100	55	73.7	169.4	89,100	60	74.7	199.2	77,400	195	30.7	116.6	9,300			
125	23.1	55.1		29,300	60	71.9	167.7	79,000	65	73.2	197.7	69,200	200	28.0	107.3	8,600			
26	82.3	145.5		198,400	65	70.1	165.9	70,800	70	71.7	196.0	62,300	205	25.0	96.9	8,000			



Boom Lgth.: Feet	Oper. Rad.: Feet	Boom Angle: Deg.	Boom Point: Elev.	Capacity Crawlers Extended
38	82.3	234.7	119,500	
40	81.8	234.4	117,100	
45	80.6	233.5	111,200	
50	79.3	232.6	98,600	
55	78.0	231.5	86,100	
60	76.7	230.3	76,100	
65	75.4	229.0	67,800	
70	74.2	227.5	60,900	
75	72.9	226.0	55,000	
80	71.5	224.3	50,000	
85	70.2	222.5	45,600	
90	68.9	220.5	41,700	
95	67.5	218.4	38,400	
100	66.2	216.2	35,300	
105	64.8	213.9	32,600	
110	63.4	211.3	30,200	
115	62.0	208.7	28,000	
120	60.6	205.8	26,000	
125	59.1	202.8	24,100	
130	57.6	199.6	22,400	
135	56.1	196.3	20,900	
140	54.6	192.7	19,400	
145	53.0	189.0	18,100	
150	51.5	185.0	16,900	
155	49.8	180.7	15,700	
160	48.2	176.3	14,700	
165	46.4	171.5	13,600	
170	44.7	166.5	12,700	
175	42.8	161.1	11,800	
180	40.9	155.4	11,000	
185	39.0	149.2	10,200	
190	36.9	142.6	9,400	
195	34.7	135.5	8,700	
200	32.4	127.7	8,100	
205	30.0	119.2	7,400	
210	27.3	109.7	6,800	
215	24.4	99.0	6,100	
220	21.0	86.6	4,400	

2  
3  
0

2  
4  
0

40	82.2	244.5	111,700
45	81.0	243.7	106,300
50	79.7	242.7	98,100
55	78.5	241.7	85,600
60	77.3	240.6	75,600
65	76.1	239.3	67,300
70	74.8	237.9	60,400
75	73.6	236.5	54,500
80	72.3	234.9	49,500
85	71.1	233.1	45,100
90	69.8	231.3	41,200
95	68.5	229.3	37,800
100	67.2	227.2	34,800
105	65.9	224.9	32,100
110	64.6	222.5	29,700
115	63.3	220.0	27,400
120	61.9	217.3	25,400
125	60.5	214.5	23,600
130	59.1	211.5	21,900
135	57.7	208.3	20,300
140	56.3	205.0	18,900
145	54.8	201.5	17,600
150	53.3	197.7	16,300
155	51.8	193.8	15,200
160	50.3	189.6	14,100
165	48.7	185.2	13,100
170	47.1	180.6	12,200
175	45.4	175.7	11,300
180	43.7	170.5	10,400
185	41.9	164.9	9,600
190	40.0	159.0	8,900
195	38.1	152.6	8,200
200	36.1	145.8	7,500
205	34.0	138.5	6,700
210	31.7	130.5	6,000
215	29.3	121.8	5,300
220	26.7	112.1	4,700
225	23.8	101.1	4,000

Boom Lgth.: Feet	Oper. Rad.: Feet	Boom Angle: Deg.	Boom Point: Elev.	Capacity Crawlers Extended
45	81.3	253.8	101,500	
50	80.2	252.9	96,900	
55	79.0	251.9	85,200	
60	77.8	250.8	75,200	
65	76.6	249.6	66,900	
70	75.5	248.3	60,000	
75	74.3	246.9	54,100	
80	73.1	245.4	49,100	
85	71.9	243.7	44,700	
90	70.6	241.9	40,800	
95	69.4	240.1	37,400	
100	68.2	238.0	34,400	
105	66.9	235.9	31,700	
110	65.7	233.6	29,300	
115	64.4	231.2	27,100	
120	63.1	228.7	25,000	
125	61.8	226.0	23,200	
130	60.5	223.1	21,500	
135	59.2	220.2	20,000	
140	57.8	217.0	18,500	
145	56.4	213.7	17,200	
150	55.1	210.2	16,000	
155	53.6	206.5	14,800	
160	52.2	202.6	13,700	
165	50.7	198.5	12,700	
170	49.2	194.2	11,800	
175	47.6	189.6	10,900	
180	46.0	184.8	10,100	
185	44.4	179.7	9,300	
190	42.7	174.3	8,500	
195	41.0	168.6	7,800	
200	39.2	162.5	7,000	
205	37.3	156.0	6,200	
210	35.3	149.0	5,500	
215	33.3	141.4	4,800	
220	31.1	133.3	4,100	

2  
5  
0

45	81.7	263.9	96,500
50	80.5	263.1	92,300
55	79.4	262.1	84,700
60	78.3	261.1	74,700
65	77.2	259.9	66,400
70	76.0	258.7	59,500
75	74.9	257.3	53,600
80	73.7	255.8	48,500
85	72.6	254.3	44,100
90	71.4	252.6	40,300
95	70.3	250.8	36,900
100	69.1	248.8	33,900
105	67.9	246.8	31,100
110	66.7	244.6	28,700
115	65.5	242.3	26,500
120	64.2	239.9	24,500
125	63.0	237.3	22,600
130	61.8	234.6	20,900
135	60.5	231.8	19,400
140	59.2	228.8	17,900
145	57.9	225.7	16,600
150	56.6	222.4	15,400
155	55.2	218.9	14,200
160	53.9	215.2	13,100
165	52.5	211.4	12,100
170	51.1	207.4	11,200
175	49.6	203.1	10,300
180	48.2	198.6	9,500
185	46.6	193.9	8,700
190	45.1	188.9	7,900
195	43.5	183.7	7,000
200	41.8	178.1	6,200
205	40.1	172.2	5,400
210	38.4	165.9	4,700
215	36.5	159.2	4,000

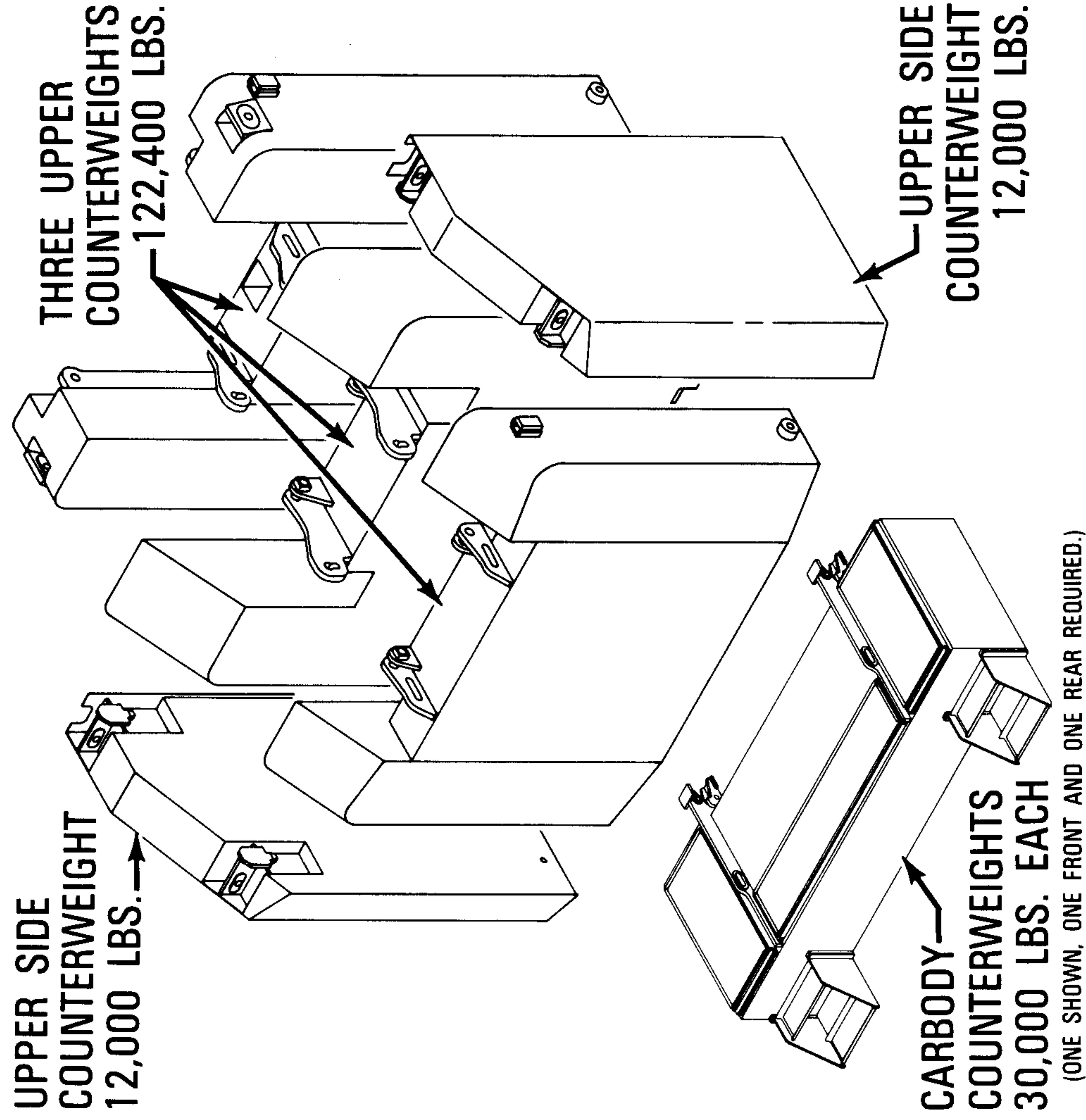
2  
6  
0



# CAUTION

BOTH CARBODY COUNTERWEIGHTS MUST ALWAYS BE ATTACHED TO CARBODY BEFORE ATTACHING THE UPPER SIDE COUNTERWEIGHTS TO THE UPPER COUNTERWEIGHTS. LIKEWISE, THE UPPER SIDE COUNTERWEIGHTS MUST BE REMOVED FROM THE UPPER COUNTERWEIGHTS BEFORE REMOVING THE CARBODY COUNTERWEIGHTS. NEVER OPERATE THE MACHINE WITH UPPER SIDE COUNTERWEIGHTS IN PLACE UNLESS BOTH CARBODY COUNTERWEIGHTS ARE ALSO IN PLACE.

## 4100W SERIES 2



# LIFT CRANE JIB CAPACITIES

MEETS  
ANSI B30.5  
REQUIREMENTS

# 4100W SERIES 2

**JIB NO. 123 WITH 12' 6" STRUT ON  
BOOM NO. 22C WITH OPEN THROAT TOP  
146,400 LB. CRANE COUNTERWEIGHT  
60,000 LB. CARBODY COUNTERWEIGHT  
26' 6" CRAWLERS EXTENDED**

CHART SUPPLEMENTS BOOM CAPACITY CHART NO. 6934-A. CAPACITIES FOR VARIOUS BOOM LENGTHS, JIB LENGTHS AND JIB OPERATING RADII ARE FOR FREELY SUSPENDED LOADS AND DO NOT EXCEED 75% OF A STATIC TIPPING LOAD. CAPACITIES BASED ON STRUCTURAL COMPETENCE ARE DENOTED BY AN ASTERISK (\*).

WEIGHT OF ALL LOAD BLOCKS, HOOKS, WEIGHT BALL, SLINGS, HOIST LINES, ETC., BENEATH BOOM AND JIB POINT SHEAVES, IS CONSIDERED PART OF THE JIB LOAD. BOOM AND JIB ARE NOT TO BE LOWERED BEYOND RADII WHERE COMBINED WEIGHTS ARE GREATER THAN RATED CAPACITY. WHERE NO CAPACITY IS SHOWN, OPERATION IS NOT INTENDED OR APPROVED.

MACHINE TO OPERATE IN A LEVEL POSITION ON A FIRM SURFACE WITH CRAWLERS FULLY EXTENDED AND GANTRY UP. REFER TO BOOM RIGGING NO. 190693, JIB ASSEMBLY NO. 43730 AND WIRE ROPE SPECIFICATION CHART NO. 6592-A. CRANE OPERATOR JUDGMENT MUST BE USED TO ALLOW FOR DYNAMIC LOAD EFFECTS OF SWINGING, HOISTING OR LOWERING, TRAVEL, WIND CONDITIONS, AS WELL AS ADVERSE OPERATING CONDITIONS AND PHYSICAL MACHINE DEPRECIATION.

OPERATING RADIUS IS THE HORIZONTAL DISTANCE FROM THE AXIS OF ROTATION TO THE CENTER OF VERTICAL HOIST LINE OR LOAD BLOCK. BOOM ANGLE IS THE ANGLE BETWEEN HORIZONTAL AND CENTERLINE OF BOOM BUTT AND INSERTS AND IS AN INDICATION OF OPERATING RADIUS. IN ALL CASES, OPERATING RADIUS SHALL GOVERN CAPACITY. JIB POINT ELEVATION IS VERTICAL DISTANCE FROM GROUND LEVEL TO CENTERLINE OF JIB POINT SHAFT.

MACHINE EQUIPPED WITH 26' 6" EXTENDIBLE CRAWLERS, 48" TREADS, 17' RETRACTABLE GANTRY, 12 PART BOOM HOIST REEVING, FOUR 1-3/8" BOOM PENDANTS, 1ST CWT. = 41,900 LBS., 2ND CWT. = 41,500 LBS., 3RD CWT. = 39,000 LBS., TWO 12,000 LB. SIDE CWTs. AND TWO 30,000 LB. CARBODY CWTs.

MAXIMUM CAPACITY ON 1-1/8" - 6 X 31 IPS, IWRC IS 28,300 LBS. PER LINE.

MAXIMUM BOOM AND JIB LENGTHS LIFTED UNASSISTED			
OVER END OF CRAWLERS		OVER SIDE OF EXTENDED CRAWLERS	
BM. LGTH.	JIB NO. 123	BM. LGTH.	JIB NO. 123
260'	---	260'	---
250'	---	250'	---
240'	40'	240'	40'
230'	60'	230'	60'

LOAD BLOCK, HOOK AND WEIGHT BALL ON GROUND AT START.

## 30 FOOT JIB

BOOM LGTH. FEET	JIB OPER. RAD. FEET	0 DEGREE OFFSET			10 DEGREE OFFSET			20 DEGREE OFFSET			JIB OPER. RAD. FEET
		BOOM ANG. DEG.	JIB POINT ELEV. FEET	CAPACITY POUNDS	BOOM ANG. DEG.	JIB POINT ELEV. FEET	CAPACITY POUNDS	BOOM ANG. DEG.	JIB POINT ELEV. FEET	CAPACITY POUNDS	
<b>110</b>	30	79.9	148.1	40,000*							30
	35	77.9	147.1	40,000*	79.9	146.6	40,000*				35
	40	75.8	145.9	40,000*	77.8	145.4	40,000*	79.8	144.1	40,000*	40
	45	73.8	144.5	40,000*	75.8	144.0	40,000*	77.7	142.7	40,000*	45
	50	71.7	142.9	40,000*	73.7	142.4	40,000*	75.6	141.1	40,000*	50
	55	69.5	141.1	40,000*	71.5	140.6	40,000*	73.4	139.3	40,000*	55
	60	67.4	139.1	40,000*	69.4	138.6	40,000*	71.2	137.3	40,000*	60
	65	65.2	136.9	40,000*	67.2	136.3	40,000*	69.0	135.0	40,000*	65
	70	63.0	134.4	40,000*	64.9	133.9	40,000*	66.8	132.5	40,000*	70
	75	60.7	131.7	40,000*	62.6	131.1	40,000*	64.5	129.7	38,800*	75
	80	58.4	128.7	40,000*	60.3	128.1	40,000*	62.1	126.7	37,400*	80
	90	53.5	121.9	40,000*	55.4	121.3	40,000*	57.2	119.7	35,000*	90
100	48.4	113.6	40,000*	50.2	113.0	38,600*				100	
110	42.7	103.7	36,300	44.6	103.0	35,900*				110	
120	36.4	91.4	32,100							120	
<b>120</b>	35	78.7	157.3	40,000*							35
	40	76.8	156.2	40,000*	78.7	155.7	40,000*				40
	45	74.8	154.9	40,000*	76.7	154.4	40,000*	78.5	153.1	40,000*	45
	50	72.9	153.4	40,000*	74.8	152.9	40,000*	76.6	151.6	40,000*	50
	55	70.9	151.8	40,000*	72.8	151.3	40,000*	74.6	149.9	40,000*	55
	60	68.9	149.9	40,000*	70.8	149.4	40,000*	72.6	148.0	40,000*	60
	65	66.9	147.8	40,000*	68.8	147.3	40,000*	70.5	146.0	40,000*	65
	70	64.9	145.6	40,000*	66.7	145.0	40,000*	68.4	143.7	40,000*	70
	75	62.8	143.1	40,000*	64.6	142.5	40,000*	66.3	141.1	40,000*	75
	80	60.7	140.3	40,000*	62.5	139.8	40,000*	64.2	138.4	38,600*	80
	90	56.3	134.1	40,000*	58.1	133.5	40,000*	59.7	132.0	36,200*	90
	100	51.6	126.8	40,000*	53.4	126.1	40,000*	55.0	124.5	34,100*	100
110	46.7	118.0	35,600	48.4	117.3	36,000				110	
120	41.2	107.5	31,400	43.0	106.8	31,700				120	
130	35.2	94.6	27,900							130	



# LIFT CRANE JIB CAPACITIES

MEETS  
ANSI B30.5  
REQUIREMENTS

# 4100W SERIES 2

JIB NO. 123 WITH 12' 6" STRUT ON  
BOOM NO. 22C WITH OPEN THROAT TOP  
146,400 LB. CRANE COUNTERWEIGHT  
60,000 LB. CARBODY COUNTERWEIGHT  
26' 6" CRAWLERS EXTENDED

## 30 FOOT JIB

BOOM LGTH. FEET	JIB OPER. RAD. FEET	0 DEGREE OFFSET			10 DEGREE OFFSET			20 DEGREE OFFSET			JIB OPER. RAD. FEET
		BOOM ANG. DEG.	JIB POINT ELEV. FEET	CAPACITY POUNDS	BOOM ANG. DEG.	JIB POINT ELEV. FEET	CAPACITY POUNDS	BOOM ANG. DEG.	JIB POINT ELEV. FEET	CAPACITY POUNDS	
130	35	79.4	167.5	40,000*							35
	40	77.6	166.5	40,000*	79.4	166.0	40,000*				40
	45	75.8	165.3	40,000*	77.6	164.8	40,000*	79.3	163.5	40,000*	45
	50	74.0	163.9	40,000*	75.7	163.4	40,000*	77.4	162.1	40,000*	50
	55	72.1	162.3	40,000*	73.9	161.8	40,000*	75.6	160.5	40,000*	55
	60	70.3	160.6	40,000*	72.0	160.1	40,000*	73.7	158.7	40,000*	60
	65	68.4	158.7	40,000*	70.1	158.1	40,000*	71.8	156.8	40,000*	65
	70	66.5	156.6	40,000*	68.2	156.0	40,000*	69.9	154.7	40,000*	70
	75	64.6	154.3	40,000*	66.3	153.7	40,000*	67.9	152.3	40,000*	75
	80	62.6	151.7	40,000*	64.3	151.2	40,000*	65.9	149.8	39,700*	80
	90	58.6	146.0	40,000*	60.3	145.5	40,000*	61.8	144.0	37,300*	90
	100	54.4	139.3	40,000*	56.0	138.7	40,000*	57.5	137.2	35,200*	100
	110	49.9	131.5	35,200	51.6	130.8	35,600	53.0	129.2	33,400*	110
	120	45.1	122.2	31,000	46.7	121.5	31,300				120
130	39.9	111.2	27,400							130	
140	34.0	97.7	24,400							140	
140	35	80.0	177.7	40,000*							35
	40	78.3	176.7	40,000*	80.0	176.2	40,000*				40
	45	76.6	175.6	40,000*	78.3	175.1	40,000*	79.9	173.7	40,000*	45
	50	74.9	174.3	40,000*	76.6	173.8	40,000*	78.2	172.4	40,000*	50
	55	73.2	172.8	40,000*	74.9	172.3	40,000*	76.4	171.0	40,000*	55
	60	71.5	171.2	40,000*	73.1	170.7	40,000*	74.7	169.3	40,000*	60
	65	69.7	169.4	40,000*	71.3	168.9	40,000*	72.9	167.5	40,000*	65
	70	67.9	167.4	40,000*	69.6	166.9	40,000*	71.1	165.5	40,000*	70
	75	66.1	165.3	40,000*	67.8	164.7	40,000*	69.3	163.3	40,000*	75
	80	64.3	163.0	40,000*	65.9	162.4	40,000*	67.4	161.0	40,000*	80
	90	60.6	157.7	40,000*	62.2	157.1	40,000*	63.7	155.6	38,300*	90
	100	56.7	151.5	39,800	58.3	150.9	40,000*	59.7	149.4	36,200*	100
	110	52.6	144.3	34,600	54.2	143.7	35,000	55.6	142.1	34,300*	110
	120	48.3	136.0	30,300	49.9	135.3	30,700				120
130	43.7	126.2	26,800	45.2	125.5	27,100				130	
140	38.7	114.7	23,800							140	
150	33.0	100.7	21,200							150	
150	35	80.6	187.8	40,000*							35
	40	79.0	186.9	40,000*	80.5	186.4	40,000*				40
	45	77.4	185.8	40,000*	78.9	185.3	40,000*	80.5	184.0	40,000*	45
	50	75.8	184.6	40,000*	77.3	184.1	40,000*	78.8	182.8	40,000*	50
	55	74.1	183.3	40,000*	75.7	182.7	40,000*	77.2	181.4	40,000*	55
	60	72.5	181.7	40,000*	74.1	181.2	40,000*	75.6	179.8	40,000*	60
	65	70.9	180.0	40,000*	72.4	179.5	40,000*	73.9	178.1	40,000*	65
	70	69.2	178.2	40,000*	70.7	177.7	40,000*	72.2	176.3	40,000*	70
	75	67.5	176.2	40,000*	69.1	175.6	40,000*	70.5	174.2	40,000*	75
	80	65.8	174.0	40,000*	67.3	173.5	40,000*	68.8	172.0	40,000*	80
	90	62.3	169.1	40,000*	63.9	168.5	40,000*	65.3	167.0	39,300*	90
	100	58.7	163.4	39,200	60.2	162.8	39,800	61.6	161.3	37,100*	100
	110	55.0	156.8	34,000	56.5	156.2	34,500	57.8	154.6	35,000	110
	120	51.1	149.2	29,800	52.5	148.5	30,200	53.8	146.8	30,600	120
130	46.9	140.4	26,200	48.4	139.7	26,600				130	
140	42.4	130.2	23,200	43.9	129.4	23,500				140	
150	37.6	118.1	20,600							150	
160	32.0	103.6	18,400							160	
160	40	79.5	197.1	40,000*							40
	45	78.0	196.1	40,000*	79.5	195.6	40,000*				45
	50	76.5	194.9	40,000*	78.0	194.4	40,000*	79.4	193.1	40,000*	50
	55	75.0	193.6	40,000*	76.5	193.1	40,000*	77.9	191.8	40,000*	55
	60	73.4	192.2	40,000*	74.9	191.7	40,000*	76.3	190.3	40,000*	60
	65	71.9	190.6	40,000*	73.4	190.1	40,000*	74.8	188.7	40,000*	65
	70	70.3	188.9	40,000*	71.8	188.3	40,000*	73.2	187.0	40,000*	70
	75	68.7	187.0	40,000*	70.2	186.4	40,000*	71.6	185.0	40,000*	75
	80	67.1	184.9	40,000*	68.6	184.4	40,000*	70.0	183.0	40,000*	80
	90	63.9	180.3	40,000*	65.3	179.8	40,000*	66.7	178.3	40,000*	90
	100	60.5	175.0	38,600	62.0	174.4	39,200	63.3	172.9	38,000*	100
	110	57.0	168.9	33,400	58.5	168.3	33,900	59.8	166.7	34,400	110
	120	53.4	161.9	29,100	54.8	161.2	29,600	56.1	159.6	30,000	120
	130	49.6	153.8	25,600	51.0	153.2	26,000				130
140	45.6	144.6	22,600	47.0	143.9	22,900				140	
150	41.3	134.0	20,000	42.6	133.2	20,300				150	
160	36.5	121.5	17,800							160	



# LIFT CRANE JIB CAPACITIES

MEETS  
ANSI B30.5  
REQUIREMENTS

# 4100W SERIES 2

JIB NO. 123 WITH 12' 6" STRUT ON  
BOOM NO. 22C WITH OPEN THROAT TOP  
146,400 LB. CRANE COUNTERWEIGHT  
60,000 LB. CARBODY COUNTERWEIGHT  
26' 6" CRAWLERS EXTENDED

## 30 FOOT JIB

BOOM LGTH. FEET	JIB OPER. RAD. FEET	0 DEGREE OFFSET			10 DEGREE OFFSET			20 DEGREE OFFSET			JIB OPER. RAD. FEET
		BOOM ANG. DEG.	JIB POINT ELEV. FEET	CAPACITY POUNDS	BOOM ANG. DEG.	JIB POINT ELEV. FEET	CAPACITY POUNDS	BOOM ANG. DEG.	JIB POINT ELEV. FEET	CAPACITY POUNDS	
170	40	80.1	207.3	40,000*							40
	45	78.6	206.3	40,000*	80.0	205.8	40,000*				45
	50	77.2	205.2	40,000*	78.6	204.7	40,000*	80.0	203.3	40,000*	50
	55	75.7	204.0	40,000*	77.2	203.5	40,000*	78.5	202.1	40,000*	55
	60	74.3	202.6	40,000*	75.7	202.1	40,000*	77.0	200.7	40,000*	60
	65	72.8	201.1	40,000*	74.2	200.6	40,000*	75.6	199.2	40,000*	65
	70	71.3	199.5	40,000*	72.7	198.9	40,000*	74.1	197.6	40,000*	70
	75	69.8	197.7	40,000*	71.2	197.1	40,000*	72.6	195.7	40,000*	75
	80	68.3	195.8	40,000*	69.7	195.2	40,000*	71.0	193.8	40,000*	80
	90	65.2	191.4	40,000*	66.6	190.9	40,000*	67.9	189.4	40,000*	90
	100	62.1	186.4	38,200	63.5	185.8	38,900	64.7	184.3	38,900*	100
	110	58.9	180.7	33,000	60.2	180.1	33,600	61.5	178.5	34,100	110
	120	55.5	174.2	28,800	56.8	173.6	29,300	58.1	172.0	29,700	120
	130	52.0	166.8	25,200	53.3	166.1	25,600	54.5	164.4	26,000	130
	140	48.3	158.4	22,200	49.6	157.7	22,600				140
	150	44.4	148.7	19,600	45.7	148.0	19,900				150
	160	40.2	137.6	17,400							160
170	35.6	124.7	15,400							170	
180	40	80.5	217.4	40,000*							40
	45	79.2	216.5	40,000*	80.5	216.0	40,000*				45
	50	77.8	215.5	40,000*	79.1	214.9	40,000*	80.5	213.6	40,000*	50
	55	76.4	214.3	40,000*	77.8	213.8	40,000*	79.1	212.4	40,000*	55
	60	75.0	213.0	40,000*	76.4	212.5	40,000*	77.7	211.1	40,000*	60
	65	73.6	211.6	40,000*	75.0	211.0	40,000*	76.3	209.7	40,000*	65
	70	72.2	210.0	40,000*	73.6	209.5	40,000*	74.8	208.1	40,000*	70
	75	70.8	208.3	40,000*	72.1	207.8	40,000*	73.4	206.4	40,000*	75
	80	69.4	206.5	40,000*	70.7	205.9	40,000*	72.0	204.5	40,000*	80
	90	66.5	202.4	40,000*	67.8	201.8	40,000*	69.0	200.4	40,000*	90
	100	63.5	197.7	37,600	64.8	197.1	38,300	66.0	195.6	39,000	100
	110	60.5	192.3	32,400	61.8	191.7	33,000	63.0	190.2	33,600	110
	120	57.3	186.2	28,200	58.6	185.6	28,700	59.8	184.0	29,200	120
	130	54.1	179.3	24,600	55.3	178.7	25,100	56.5	177.0	25,500	130
	140	50.7	171.6	21,600	51.9	170.9	22,000	53.0	169.2	22,400	140
	150	47.1	162.8	19,000	48.3	162.0	19,400				150
	160	43.3	152.7	16,800	44.5	152.0	17,100				160
170	39.2	141.2	14,800							170	
180	34.7	127.8	13,100							180	
190	45	79.7	226.7	40,000*							45
	50	78.3	225.7	40,000*	79.6	225.2	40,000*				50
	55	77.0	224.6	40,000*	78.3	224.1	40,000*	79.6	222.7	40,000*	55
	60	75.7	223.4	40,000*	77.0	222.8	40,000*	78.2	221.4	40,000*	60
	65	74.4	222.0	40,000*	75.7	221.5	40,000*	76.9	220.1	40,000*	65
	70	73.1	220.5	40,000*	74.3	220.0	40,000*	75.6	218.6	40,000*	70
	75	71.7	218.9	40,000*	73.0	218.4	40,000*	74.2	216.9	40,000*	75
	80	70.3	217.2	40,000*	71.6	216.6	40,000*	72.8	215.2	40,000*	80
	90	67.6	213.3	40,000*	68.9	212.7	40,000*	70.0	211.3	40,000*	90
	100	64.8	208.8	37,100	66.0	208.2	37,800	67.2	206.8	38,500	100
	110	61.9	203.7	31,900	63.2	203.2	32,500	64.3	201.6	33,100	110
	120	59.0	198.0	27,600	60.2	197.4	28,200	61.3	195.8	28,700	120
	130	55.9	191.6	24,100	57.1	190.9	24,600	58.2	189.3	25,000	130
	140	52.7	184.3	21,000	54.0	183.7	21,500	55.0	182.0	21,900	140
	150	49.4	176.2	18,500	50.6	175.5	18,800				150
	160	46.0	167.0	16,200	47.1	166.3	16,500				160
	170	42.3	156.6	14,200	43.4	155.8	14,500				170
180	38.3	144.7	12,500							180	
190	33.9	130.9	11,000							190	



# LIFT CRANE JIB CAPACITIES

MEETS  
ANSI B30.5  
REQUIREMENTS

# 4100W SERIES 2

JIB NO. 123 WITH 12' 6" STRUT ON  
BOOM NO. 22C WITH OPEN THROAT TOP  
146,400 LB. CRANE COUNTERWEIGHT  
60,000 LB. CARBODY COUNTERWEIGHT  
26' 6" CRAWLERS EXTENDED

## 30 FOOT JIB

BOOM LGTH. FEET	JIB OPER. RAD. FEET	0 DEGREE OFFSET			10 DEGREE OFFSET			20 DEGREE OFFSET			JIB OPER. RAD. FEET
		BOOM ANG. DEG.	JIB POINT ELEV. FEET	CAPACITY POUNDS	BOOM ANG. DEG.	JIB POINT ELEV. FEET	CAPACITY POUNDS	BOOM ANG. DEG.	JIB POINT ELEV. FEET	CAPACITY POUNDS	
<b>200</b>	45	80.1	236.9	40,000*							45
	50	78.9	235.9	40,000*	80.1	235.4	40,000*				50
	55	77.6	234.8	40,000*	78.8	234.3	40,000*	80.0	232.9	40,000*	55
	60	76.3	233.7	40,000*	77.6	233.1	40,000*	78.8	231.7	40,000*	60
	65	75.1	232.4	40,000*	76.3	231.8	40,000*	77.5	230.4	40,000*	65
	70	73.8	231.0	40,000*	75.0	230.4	40,000*	76.2	229.0	40,000*	70
	75	72.5	229.4	40,000*	73.7	228.9	40,000*	74.9	227.5	40,000*	75
	80	71.2	227.8	40,000*	72.4	227.2	40,000*	73.6	225.8	40,000*	80
	90	68.6	224.1	40,000*	69.8	223.5	40,000*	71.0	222.1	40,000*	90
	100	65.9	219.8	36,500	67.1	219.3	37,200	68.3	217.8	38,000	100
	110	63.2	215.0	31,300	64.4	214.4	32,000	65.5	212.9	32,600	110
	120	60.4	209.6	27,000	61.6	209.0	27,600	62.7	207.5	28,200	120
	130	57.6	203.6	23,500	58.7	202.9	24,000	59.8	201.3	24,500	130
	140	54.6	196.8	20,400	55.8	196.1	20,900	56.8	194.5	21,300	140
	150	51.5	189.2	17,800	52.7	188.5	18,300	53.7	186.8	18,600	150
	160	48.3	180.7	15,600	49.4	180.0	16,000				160
	170	44.9	171.2	13,600	46.0	170.4	13,900				170
	180	41.3	160.4	11,900	42.4	159.6	12,200				180
	190	37.4	148.1	10,300							190
	200	33.1	133.9	8,900							200
<b>210</b>	45	80.5	247.0	40,000*							45
	50	79.3	246.1	40,000*	80.5	245.6	40,000*				50
	55	78.1	245.1	40,000*	79.3	244.5	40,000*	80.5	243.2	40,000*	55
	60	76.9	244.0	40,000*	78.1	243.4	40,000*	79.2	242.0	40,000*	60
	65	75.7	242.7	40,000*	76.9	242.2	40,000*	78.0	240.8	40,000*	65
	70	74.5	241.4	40,000*	75.7	240.8	40,000*	76.8	239.4	40,000*	70
	75	73.3	239.9	40,000*	74.4	239.4	40,000*	75.6	237.9	40,000*	75
	80	72.0	238.3	40,000*	73.2	237.8	40,000*	74.3	236.3	40,000*	80
	90	69.5	234.8	40,000*	70.7	234.2	40,000*	71.8	232.8	40,000*	90
	100	67.0	230.8	36,100	68.1	230.2	36,900	69.2	228.7	37,600	100
	110	64.4	226.2	30,900	65.6	225.6	31,600	66.6	224.1	32,200	110
	120	61.8	221.1	26,600	62.9	220.5	27,200	63.9	218.9	27,800	120
	130	59.0	215.3	23,100	60.2	214.7	23,600	61.2	213.1	24,100	130
	140	56.3	209.0	20,000	57.4	208.3	20,500	58.4	206.7	21,000	140
	150	53.4	201.9	17,400	54.5	201.2	17,900	55.5	199.5	18,300	150
	160	50.4	193.9	15,200	51.5	193.3	15,600	52.4	191.5	15,900	160
	170	47.2	185.1	13,200	48.3	184.4	13,600				170
	180	43.9	175.2	11,500	45.0	174.5	11,800				180
	190	40.4	164.1	9,900							190
	200	36.6	151.5	8,600							200
210	32.4	136.8	7,300							210	
<b>220</b>	50	79.7	256.3	40,000*							50
	55	78.6	255.3	40,000*	79.7	254.8	40,000*				55
	60	77.4	254.2	40,000*	78.6	253.7	40,000*	79.7	252.3	40,000*	60
	65	76.3	253.0	40,000*	77.4	252.5	40,000*	78.5	251.1	40,000*	65
	70	75.1	251.7	40,000*	76.2	251.2	40,000*	77.3	249.8	40,000*	70
	75	73.9	250.3	40,000*	75.1	249.8	40,000*	76.1	248.4	40,000*	75
	80	72.8	248.8	40,000*	73.9	248.3	40,000*	75.0	246.8	40,000*	80
	90	70.4	245.4	40,000*	71.5	244.9	40,000*	72.5	243.4	40,000*	90
	100	67.9	241.6	35,500	69.1	241.0	36,300	70.1	239.6	37,100	100
	110	65.5	237.3	30,300	66.6	236.7	31,000	67.6	235.2	31,700	110
	120	63.0	232.4	26,000	64.1	231.8	26,700	65.1	230.3	27,300	120
	130	60.4	226.9	22,500	61.5	226.3	23,100	62.5	224.8	23,600	130
	140	57.8	220.9	19,400	58.8	220.3	20,000	59.8	218.7	20,400	140
	150	55.0	214.2	16,900	56.1	213.6	17,300	57.1	211.9	17,700	150
	160	52.2	206.8	14,600	53.3	206.1	15,000	54.2	204.4	15,400	160
170	49.3	198.6	12,600	50.4	197.9	13,000				170	
180	46.2	189.4	10,900	47.3	188.7	11,200				180	
190	43.0	179.2	9,300	44.0	178.4	9,600				190	
200	39.6	167.7	8,000							200	
210	35.8	154.7	6,600*							210	



# LIFT CRANE JIB CAPACITIES

MEETS  
ANSI B30.5  
REQUIREMENTS

# 4100W SERIES 2

JIB NO. 123 WITH 12' 6" STRUT ON  
BOOM NO. 22C WITH OPEN THROAT TOP  
146,400 LB. CRANE COUNTERWEIGHT  
60,000 LB. CARBODY COUNTERWEIGHT  
26' 6" CRAWLERS EXTENDED

## 30 FOOT JIB

BOOM LGTH. FEET	JIB OPER. RAD. FEET	0 DEGREE OFFSET			10 DEGREE OFFSET			20 DEGREE OFFSET			JIB OPER. RAD. FEET
		BOOM ANG. DEG.	JIB POINT ELEV. FEET	CAPACITY POUNDS	BOOM ANG. DEG.	JIB POINT ELEV. FEET	CAPACITY POUNDS	BOOM ANG. DEG.	JIB POINT ELEV. FEET	CAPACITY POUNDS	
<b>230</b>	50	80.1	266.4	40,000*							50
	55	79.0	265.5	40,000*	80.1	265.0	40,000*				55
	60	77.9	264.5	40,000*	79.0	263.9	40,000*	80.1	262.5	40,000*	60
	65	76.8	263.3	40,000*	77.9	262.8	40,000*	79.0	261.4	40,000*	65
	70	75.7	262.1	40,000*	76.8	261.5	40,000*	77.8	260.1	40,000*	70
	75	74.6	260.7	40,000*	75.6	260.2	40,000*	76.7	258.8	40,000*	75
	80	73.4	259.3	40,000*	74.5	258.7	40,000*	75.6	257.3	40,000*	80
	90	71.1	256.1	40,000*	72.2	255.5	40,000*	73.2	254.0	40,000*	90
	100	68.8	252.4	35,000	69.9	251.8	35,800	70.9	250.3	36,700	100
	110	66.5	248.2	29,800	67.5	247.6	30,500	68.5	246.1	31,300	110
	120	64.1	243.6	25,500	65.1	243.0	26,200	66.1	241.5	26,800	120
	130	61.6	238.4	21,900	62.7	237.8	22,500	63.6	236.2	23,100	130
	140	59.1	232.7	18,900	60.2	232.0	19,500	61.1	230.5	20,000	140
	150	56.5	226.3	16,300	57.6	225.7	16,800	58.5	224.1	17,200	150
	160	53.9	219.3	14,100	54.9	218.7	14,500	55.8	217.0	14,900	160
	170	51.1	211.6	12,100	52.2	210.9	12,500	53.1	209.2	12,800	170
	180	48.3	203.1	10,300	49.3	202.4	10,700				180
	190	45.3	193.6	8,800	46.3	192.9	9,100				190
	200	42.1	183.1	7,400*	43.1	182.3	7,700				200
	210	38.8	171.3	5,800*							210
	220	35.1	157.9	4,400*							220
	<b>240</b>	50	80.5	276.6	40,000*						
55		79.4	275.7	40,000*	80.5	275.1	40,000*				55
60		78.4	274.7	40,000*	79.4	274.1	40,000*	80.5	272.7	40,000*	60
65		77.3	273.6	40,000*	78.4	273.0	40,000*	79.4	271.6	40,000*	65
70		76.2	272.4	40,000*	77.3	271.8	40,000*	78.3	270.4	40,000*	70
75		75.1	271.1	40,000*	76.2	270.6	40,000*	77.2	269.1	40,000*	75
80		74.1	269.7	40,000*	75.1	269.2	40,000*	76.1	267.7	40,000*	80
90		71.9	266.6	40,000*	72.9	266.0	40,000*	73.9	264.6	40,000*	90
100		69.6	263.1	34,400	70.7	262.5	35,400	71.6	261.0	36,200	100
110		67.4	259.1	29,200	68.4	258.5	30,000	69.4	257.0	30,800	110
120		65.1	254.7	25,000	66.1	254.1	25,700	67.1	252.6	26,300	120
130		62.8	249.7	21,400	63.8	249.1	22,000	64.7	247.6	22,600	130
140		60.4	244.3	18,400	61.4	243.7	18,900	62.3	242.1	19,500	140
150		57.9	238.2	15,800	58.9	237.6	16,300	59.8	236.0	16,700	150
160		55.4	231.6	13,500	56.4	231.0	14,000	57.3	229.3	14,400	160
170	52.8	224.3	11,500	53.8	223.7	11,900	54.7	221.9	12,300	170	
180	50.1	216.3	9,800	51.1	215.6	10,200				180	
190	47.3	207.5	8,200	48.3	206.8	8,600				190	
200	44.4	197.7	6,600*	45.4	197.0	7,000*				200	
210	41.3	186.9	5,100*	42.3	186.1	5,400*				210	



# LIFT CRANE JIB CAPACITIES

MEETS  
ANSI B30.5  
REQUIREMENTS

# 4100W SERIES 2

JIB NO. 123 WITH 12'6" STRUT ON  
BOOM NO. 22C WITH OPEN THROAT TOP  
146,400 LB. CRANE COUNTERWEIGHT  
60,000 LB. CARBODY COUNTERWEIGHT  
26'6" CRAWLERS EXTENDED

## 40 FOOT JIB

BOOM LGTH. FEET	JIB OPER. RAD. FEET	0 DEGREE OFFSET			10 DEGREE OFFSET			20 DEGREE OFFSET			JIB OPER. RAD. FEET
		BOOM ANG. DEG.	JIB POINT ELEV. FEET	CAPACITY POUNDS	BOOM ANG. DEG.	JIB POINT ELEV. FEET	CAPACITY POUNDS	BOOM ANG. DEG.	JIB POINT ELEV. FEET	CAPACITY POUNDS	
<b>110</b>	35	78.9	157.3	30,000*							35
	40	77.0	156.2	30,000*	79.5	155.5	30,000*				40
	45	75.1	154.9	30,000*	77.6	154.2	30,000*	80.0	152.6	30,000*	45
	50	73.1	153.4	30,000*	75.6	152.8	30,000*	78.0	151.1	30,000*	50
	55	71.2	151.8	30,000*	73.6	151.1	30,000*	76.0	149.4	30,000*	55
	60	69.2	149.9	30,000*	71.6	149.2	30,000*	74.0	147.5	30,000*	60
	65	67.2	147.8	30,000*	69.6	147.1	30,000*	72.0	145.4	30,000*	65
	70	65.1	145.6	30,000*	67.5	144.9	30,000*	69.9	143.1	30,000*	70
	75	63.0	143.1	30,000*	65.4	142.4	30,000*	67.7	140.6	30,000*	75
	80	60.9	140.3	30,000*	63.3	139.6	30,000*	65.6	137.8	29,200*	80
	90	56.5	134.1	30,000*	58.9	133.4	30,000*	61.1	131.5	27,200*	90
	100	51.9	126.7	30,000*	54.2	125.9	30,000*	56.3	123.9	25,600*	100
	110	46.9	118.0	30,000*	49.2	117.1	28,000*				110
120	41.5	107.5	29,600*	43.7	106.5	26,200*				120	
130	35.4	94.6	27,300*							130	
<b>120</b>	35	79.6	167.5	30,000*							35
	40	77.8	166.5	30,000*	80.2	165.8	30,000*				40
	45	76.0	165.2	30,000*	78.3	164.6	30,000*				45
	50	74.2	163.9	30,000*	76.5	163.2	30,000*	78.8	161.5	30,000*	50
	55	72.4	162.3	30,000*	74.7	161.6	30,000*	76.9	160.0	30,000*	55
	60	70.5	160.6	30,000*	72.8	159.9	30,000*	75.1	158.2	30,000*	60
	65	68.6	158.7	30,000*	70.9	158.0	30,000*	73.1	156.3	30,000*	65
	70	66.7	156.6	30,000*	69.0	155.9	30,000*	71.2	154.1	30,000*	70
	75	64.8	154.2	30,000*	67.1	153.5	30,000*	69.3	151.8	30,000*	75
	80	62.8	151.7	30,000*	65.1	151.0	30,000*	67.3	149.2	30,000*	80
	90	58.8	146.0	30,000*	61.0	145.3	30,000*	63.1	143.4	28,000*	90
	100	54.6	139.3	30,000*	56.8	138.5	30,000*	58.8	136.5	26,400*	100
	110	50.1	131.4	30,000*	52.3	130.6	29,300*	54.3	128.5	24,900*	110
120	45.3	122.2	30,000*	47.5	121.3	27,400*				120	
130	40.1	111.1	28,200	42.2	110.1	25,800*				130	
140	34.2	97.7	25,200							140	
<b>130</b>	35	80.2	177.7	30,000*							35
	40	78.5	176.7	30,000*							40
	45	76.8	175.6	30,000*	79.0	174.9	30,000*				45
	50	75.1	174.3	30,000*	77.3	173.6	30,000*	79.5	171.9	30,000*	50
	55	73.4	172.8	30,000*	75.6	172.1	30,000*	77.7	170.4	30,000*	55
	60	71.7	171.2	30,000*	73.9	170.5	30,000*	76.0	168.8	30,000*	60
	65	69.9	169.4	30,000*	72.1	168.7	30,000*	74.2	167.0	30,000*	65
	70	68.1	167.4	30,000*	70.3	166.7	30,000*	72.4	165.0	30,000*	70
	75	66.3	165.3	30,000*	68.5	164.6	30,000*	70.6	162.8	30,000*	75
	80	64.5	162.9	30,000*	66.7	162.2	30,000*	68.7	160.4	30,000*	80
	90	60.8	157.7	30,000*	62.9	156.9	30,000*	64.9	155.0	28,800*	90
	100	56.9	151.5	30,000*	59.0	150.7	30,000*	61.0	148.7	27,100*	100
	110	52.8	144.3	30,000*	54.9	143.5	30,000*	56.8	141.4	25,700*	110
120	48.5	136.0	30,000*	50.6	135.1	28,600*	52.4	132.9	24,400*	120	
130	43.9	126.2	27,800	45.9	125.3	26,900*				130	
140	38.9	114.7	24,800							140	
150	33.2	100.7	22,200							150	
<b>140</b>	40	79.2	186.9	30,000*							40
	45	77.6	185.8	30,000*	79.6	185.2	30,000*				45
	50	76.0	184.6	30,000*	78.0	183.9	30,000*	80.1	182.2	30,000*	50
	55	74.3	183.2	30,000*	76.4	182.6	30,000*	78.4	180.8	30,000*	55
	60	72.7	181.7	30,000*	74.8	181.0	30,000*	76.8	179.3	30,000*	60
	65	71.1	180.0	30,000*	73.1	179.3	30,000*	75.1	177.6	30,000*	65
	70	69.4	178.2	30,000*	71.4	177.5	30,000*	73.4	175.7	30,000*	70
	75	67.7	176.2	30,000*	69.8	175.5	30,000*	71.7	173.7	30,000*	75
	80	66.0	174.0	30,000*	68.0	173.3	30,000*	70.0	171.4	30,000*	80
	90	62.5	169.1	30,000*	64.5	168.3	30,000*	66.4	166.4	29,600*	90
	100	58.9	163.4	30,000*	60.9	162.6	30,000*	62.8	160.6	27,900*	100
	110	55.2	156.8	30,000*	57.2	155.9	30,000*	59.0	153.9	26,400*	110
	120	51.3	149.1	30,000*	53.2	148.3	29,700*	55.0	146.2	25,100*	120
130	47.1	140.4	27,100	49.0	139.4	27,600				130	
140	42.6	130.1	24,100	44.5	129.2	24,500				140	
150	37.8	118.1	21,500							150	
160	32.2	103.6	19,300							160	



# LIFT CRANE JIB CAPACITIES

MEETS  
ANSI B30.5  
REQUIREMENTS

# 4100W SERIES 2

JIB NO. 123 WITH 12' 6" STRUT ON  
BOOM NO. 22C WITH OPEN THROAT TOP  
146,400 LB. CRANE COUNTERWEIGHT  
60,000 LB. CARBODY COUNTERWEIGHT  
26' 6" CRAWLERS EXTENDED

## 40 FOOT JIB

BOOM LGTH. FEET	JIB OPER. RAD. FEET	0 DEGREE OFFSET			10 DEGREE OFFSET			20 DEGREE OFFSET			JIB OPER. RAD. FEET
		BOOM ANG. DEG.	JIB POINT ELEV. FEET	CAPACITY POUNDS	BOOM ANG. DEG.	JIB POINT ELEV. FEET	CAPACITY POUNDS	BOOM ANG. DEG.	JIB POINT ELEV. FEET	CAPACITY POUNDS	
<b>150</b>	40	79.7	197.1	30,000*							40
	45	78.2	196.1	30,000*	80.2	195.4	30,000*				45
	50	76.7	194.9	30,000*	78.7	194.2	30,000*				50
	55	75.2	193.6	30,000*	77.1	192.9	30,000*	79.1	191.2	30,000*	55
	60	73.6	192.2	30,000*	75.6	191.5	30,000*	77.5	189.7	30,000*	60
	65	72.1	190.6	30,000*	74.0	189.9	30,000*	75.9	188.1	30,000*	65
	70	70.5	188.9	30,000*	72.5	188.2	30,000*	74.3	186.4	30,000*	70
	75	68.9	187.0	30,000*	70.9	186.3	30,000*	72.7	184.5	30,000*	75
	80	67.3	184.9	30,000*	69.3	184.2	30,000*	71.1	182.4	30,000*	80
	90	64.1	180.3	30,000*	66.0	179.6	30,000*	67.8	177.7	30,000*	90
	100	60.7	175.0	30,000*	62.6	174.2	30,000*	64.4	172.3	28,600*	100
	110	57.2	168.8	30,000*	59.1	168.0	30,000*	60.9	166.0	27,100*	110
	120	53.6	161.8	30,000*	55.5	161.0	30,000*	57.2	158.9	25,800*	120
	130	49.8	153.8	26,600	51.7	152.9	27,100	53.3	150.7	24,600*	130
	140	45.8	144.6	23,600	47.6	143.7	24,000				140
	150	41.5	133.9	21,000	43.2	132.9	21,300				150
160	36.7	121.4	18,700							160	
<b>160</b>	40	80.2	207.3	30,000*							40
	45	78.8	206.3	30,000*							45
	50	77.4	205.2	30,000*	79.2	204.5	30,000*				50
	55	75.9	204.0	30,000*	77.8	203.3	30,000*	79.6	201.5	30,000*	55
	60	74.5	202.6	30,000*	76.3	201.9	30,000*	78.1	200.1	30,000*	60
	65	73.0	201.1	30,000*	74.8	200.4	30,000*	76.7	198.6	30,000*	65
	70	71.5	199.5	30,000*	73.4	198.8	30,000*	75.2	197.0	30,000*	70
	75	70.0	197.7	30,000*	71.9	197.0	30,000*	73.6	195.1	30,000*	75
	80	68.5	195.7	30,000*	70.3	195.0	30,000*	72.1	193.2	30,000*	80
	90	65.4	191.4	30,000*	67.3	190.7	30,000*	69.0	188.8	30,000*	90
	100	62.3	186.4	30,000*	64.1	185.6	30,000*	65.8	183.7	29,200*	100
	110	59.0	180.7	30,000*	60.8	179.9	30,000*	62.5	177.9	27,700*	110
	120	55.7	174.2	29,500	57.5	173.3	30,000*	59.1	171.3	26,400*	120
	130	52.2	166.8	25,900	53.9	165.9	26,500	55.5	163.7	25,300*	130
	140	48.5	158.3	22,900	50.2	157.4	23,400				140
	150	44.6	148.7	20,300	46.3	147.7	20,700				150
160	40.4	137.6	18,100	42.1	136.6	18,400				160	
170	35.8	124.7	16,100							170	
<b>170</b>	45	79.3	216.5	30,000*							45
	50	78.0	215.5	30,000*	79.8	214.8	30,000*				50
	55	76.6	214.3	30,000*	78.4	213.6	30,000*	80.1	211.8	30,000*	55
	60	75.2	213.0	30,000*	77.0	212.3	30,000*	78.7	210.5	30,000*	60
	65	73.8	211.6	30,000*	75.6	210.9	30,000*	77.3	209.1	30,000*	65
	70	72.4	210.0	30,000*	74.2	209.3	30,000*	75.9	207.5	30,000*	70
	75	71.0	208.3	30,000*	72.7	207.6	30,000*	74.4	205.8	30,000*	75
	80	69.6	206.5	30,000*	71.3	205.7	30,000*	73.0	203.9	30,000*	80
	90	66.7	202.4	30,000*	68.4	201.6	30,000*	70.1	199.8	30,000*	90
	100	63.7	197.7	30,000*	65.4	196.9	30,000*	67.1	195.0	29,900*	100
	110	60.6	192.3	30,000*	62.4	191.5	30,000*	64.0	189.5	28,400*	110
	120	57.5	186.2	29,100	59.2	185.4	29,800	60.8	183.3	27,000*	120
	130	54.2	179.3	25,600	55.9	178.5	26,100	57.5	176.3	25,900*	130
	140	50.8	171.5	22,500	52.5	170.6	23,000	54.0	168.4	23,500	140
	150	47.3	162.7	20,000	48.9	161.8	20,400				150
	160	43.5	152.7	17,700	45.1	151.7	18,100				160
170	39.4	141.2	15,700							170	
180	34.9	127.8	14,000							180	



# LIFT CRANE JIB CAPACITIES

MEETS  
ANSI B30.5  
REQUIREMENTS

# 4100W SERIES 2

JIB NO. 123 WITH 12' 6" STRUT ON  
BOOM NO. 22C WITH OPEN THROAT TOP  
146,400 LB. CRANE COUNTERWEIGHT  
60,000 LB. CARBODY COUNTERWEIGHT  
26' 6" CRAWLERS EXTENDED

## 40 FOOT JIB

BOOM LGTH. FEET	JIB OPER. RAD. FEET	0 DEGREE OFFSET			10 DEGREE OFFSET			20 DEGREE OFFSET			JIB OPER. RAD. FEET
		BOOM ANG. DEG.	JIB POINT ELEV. FEET	CAPACITY POUNDS	BOOM ANG. DEG.	JIB POINT ELEV. FEET	CAPACITY POUNDS	BOOM ANG. DEG.	JIB POINT ELEV. FEET	CAPACITY POUNDS	
<b>180</b>	45	79.8	226.7	30,000*							45
	50	78.5	225.7	30,000*	80.2	225.0	30,000*				50
	55	77.2	224.6	30,000*	78.9	223.9	30,000*	80.6	222.1	30,000*	55
	60	75.9	223.3	30,000*	77.6	222.6	30,000*	79.2	220.8	30,000*	60
	65	74.6	222.0	30,000*	76.2	221.3	30,000*	77.9	219.5	30,000*	65
	70	73.2	220.5	30,000*	74.9	219.8	30,000*	76.5	218.0	30,000*	70
	75	71.9	218.9	30,000*	73.6	218.2	30,000*	75.2	216.3	30,000*	75
	80	70.5	217.1	30,000*	72.2	216.4	30,000*	73.8	214.6	30,000*	80
	90	67.8	213.3	30,000*	69.4	212.5	30,000*	71.0	210.6	30,000*	90
	100	65.0	208.8	30,000*	66.6	208.0	30,000*	68.2	206.1	30,000*	100
	110	62.1	203.7	30,000*	63.7	202.9	30,000*	65.3	201.0	28,900*	110
	120	59.1	198.0	28,500	60.8	197.2	29,200	62.3	195.2	27,600*	120
	130	56.1	191.6	25,000	57.7	190.7	25,600	59.2	188.6	26,100	130
	140	52.9	184.3	21,900	54.5	183.4	22,500	55.9	181.3	23,000	140
	150	49.6	176.2	19,300	51.2	175.3	19,800	52.6	173.0	20,200	150
	160	46.1	167.0	17,100	47.7	166.0	17,500				160
	170	42.4	156.6	15,100	44.0	155.6	15,500				170
	180	38.4	144.7	13,400							180
190	34.1	130.9	11,800							190	
<b>190</b>	45	80.3	236.8	30,000*							45
	50	79.0	235.9	30,000*	80.6	235.2	30,000*				50
	55	77.8	234.8	30,000*	79.4	234.1	30,000*				55
	60	76.5	233.7	30,000*	78.1	232.9	30,000*	79.7	231.1	30,000*	60
	65	75.2	232.4	30,000*	76.9	231.6	30,000*	78.4	229.8	30,000*	65
	70	74.0	230.9	30,000*	75.6	230.2	30,000*	77.2	228.4	30,000*	70
	75	72.7	229.4	30,000*	74.3	228.7	30,000*	75.9	226.8	30,000*	75
	80	71.4	227.8	30,000*	73.0	227.0	30,000*	74.5	225.2	30,000*	80
	90	68.8	224.1	30,000*	70.4	223.3	30,000*	71.9	221.4	30,000*	90
	100	66.1	219.8	30,000*	67.7	219.1	30,000*	69.2	217.1	30,000*	100
	110	63.4	215.0	30,000*	65.0	214.2	30,000*	66.4	212.3	29,500*	110
	120	60.6	209.6	28,000	62.2	208.8	28,700	63.6	206.8	28,200*	120
	130	57.7	203.6	24,400	59.3	202.7	25,100	60.7	200.6	25,700	130
	140	54.7	196.8	21,400	56.3	195.9	22,000	57.7	193.8	22,500	140
	150	51.7	189.2	18,800	53.2	188.3	19,300	54.6	186.0	19,800	150
	160	48.4	180.7	16,500	50.0	179.8	17,000				160
	170	45.1	171.2	14,600	46.6	170.2	15,000				170
	180	41.5	160.4	12,800	42.9	159.3	13,200				180
190	37.6	148.1	11,300							190	
200	33.3	133.9	9,900							200	
<b>200</b>	45	80.7	247.0	30,000*							45
	50	79.5	246.1	30,000*							50
	55	78.3	245.1	30,000*	79.8	244.3	30,000*				55
	60	77.1	243.9	30,000*	78.6	243.2	30,000*	80.2	241.4	30,000*	60
	65	75.9	242.7	30,000*	77.4	242.0	30,000*	78.9	240.2	30,000*	65
	70	74.6	241.4	30,000*	76.2	240.6	30,000*	77.7	238.8	30,000*	70
	75	73.4	239.9	30,000*	75.0	239.1	30,000*	76.5	237.3	30,000*	75
	80	72.2	238.3	30,000*	73.7	237.6	30,000*	75.2	235.7	30,000*	80
	90	69.7	234.8	30,000*	71.2	234.0	30,000*	72.7	232.1	30,000*	90
	100	67.1	230.7	30,000*	68.7	230.0	30,000*	70.1	228.1	30,000*	100
	110	64.6	226.2	30,000*	66.1	225.4	30,000*	67.5	223.4	30,000*	110
	120	61.9	221.1	27,400	63.4	220.3	28,100	64.8	218.2	28,700*	120
	130	59.2	215.3	23,800	60.7	214.5	24,500	62.1	212.4	25,100	130
	140	56.4	208.9	20,800	57.9	208.1	21,400	59.2	206.0	22,000	140
	150	53.5	201.8	18,200	55.0	201.0	18,700	56.3	198.7	19,200	150
	160	50.5	193.9	15,900	52.0	193.0	16,400	53.3	190.7	16,800	160
	170	47.4	185.1	13,900	48.8	184.1	14,400				170
	180	44.1	175.2	12,200	45.5	174.2	12,600				180
190	40.5	164.1	10,600							190	
200	36.7	151.4	9,300							200	
210	32.6	136.8	8,000							210	



# LIFT CRANE JIB CAPACITIES

MEETS  
ANSI B30.5  
REQUIREMENTS

# 4100W SERIES 2

JIB NO. 123 WITH 12' 6" STRUT ON  
BOOM NO. 22C WITH OPEN THROAT TOP  
146,400 LB. CRANE COUNTERWEIGHT  
60,000 LB. CARBODY COUNTERWEIGHT  
26' 6" CRAWLERS EXTENDED

## 40 FOOT JIB

BOOM LGTH. FEET	JIB OPER. RAD. FEET	0 DEGREE OFFSET			10 DEGREE OFFSET			20 DEGREE OFFSET			JIB OPER. RAD. FEET
		BOOM ANG. DEG.	JIB POINT ELEV. FEET	CAPACITY POUNDS	BOOM ANG. DEG.	JIB POINT ELEV. FEET	CAPACITY POUNDS	BOOM ANG. DEG.	JIB POINT ELEV. FEET	CAPACITY POUNDS	
<b>210</b>	50	79.9	256.3	30,000*							50
	55	78.7	255.3	30,000*	80.2	254.6	30,000*				55
	60	77.6	254.2	30,000*	79.1	253.5	30,000*	80.6	251.7	30,000*	60
	65	76.4	253.0	30,000*	77.9	252.3	30,000*	79.4	250.5	30,000*	65
	70	75.3	251.7	30,000*	76.7	251.0	30,000*	78.2	249.2	30,000*	70
	75	74.1	250.3	30,000*	75.6	249.6	30,000*	77.0	247.7	30,000*	75
	80	72.9	248.8	30,000*	74.4	248.1	30,000*	75.8	246.2	30,000*	80
	90	70.5	245.4	30,000*	72.0	244.7	30,000*	73.4	242.8	30,000*	90
	100	68.1	241.6	30,000*	69.6	240.8	30,000*	71.0	238.9	30,000*	100
	110	65.6	237.2	30,000*	67.1	236.5	30,000*	68.5	234.5	30,000*	110
	120	63.1	232.4	27,000	64.6	231.6	27,800	65.9	229.6	28,500	120
	130	60.5	226.9	23,400	62.0	226.1	24,100	63.3	224.1	24,800	130
	140	57.9	220.9	20,400	59.3	220.0	21,000	60.6	217.9	21,600	140
	150	55.2	214.2	17,800	56.6	213.3	18,300	57.9	211.1	18,900	150
	160	52.4	206.8	15,500	53.8	205.9	16,000	55.0	203.6	16,500	160
	170	49.4	198.5	13,500	50.8	197.6	14,000				170
	180	46.4	189.4	11,800	47.8	188.4	12,200				180
	190	43.1	179.2	10,200	44.5	178.1	10,600				190
	200	39.7	167.7	8,900							200
	210	36.0	154.7	7,600							210
	<b>220</b>	50	80.3	266.4	30,000*						
55		79.2	265.5	30,000*	80.6	264.8	30,000*				55
60		78.1	264.4	30,000*	79.5	263.7	30,000*				60
65		76.9	263.3	30,000*	78.4	262.6	30,000*	79.8	260.7	30,000*	65
70		75.8	262.1	30,000*	77.3	261.3	30,000*	78.7	259.5	30,000*	70
75		74.7	260.7	30,000*	76.1	260.0	30,000*	77.5	258.1	30,000*	75
80		73.6	259.3	30,000*	75.0	258.5	30,000*	76.4	256.7	30,000*	80
90		71.3	256.0	30,000*	72.7	255.3	30,000*	74.1	253.4	30,000*	90
100		69.0	252.4	30,000*	70.4	251.6	30,000*	71.7	249.7	30,000*	100
110		66.6	248.2	30,000*	68.0	247.4	30,000*	69.4	245.5	30,000*	110
120		64.2	243.6	26,400	65.6	242.8	27,200	66.9	240.8	28,000	120
130		61.8	238.4	22,800	63.2	237.6	23,600	64.4	235.5	24,300	130
140		59.3	232.7	19,800	60.6	231.8	20,500	61.9	229.7	21,100	140
150		56.7	226.3	17,200	58.1	225.5	17,800	59.3	223.3	18,400	150
160	54.0	219.3	14,900	55.4	218.4	15,500	56.6	216.2	16,000	160	
170	51.3	211.6	12,900	52.6	210.7	13,400	53.8	208.4	13,900	170	
180	48.4	203.1	11,200	49.8	202.1	11,600				180	
190	45.4	193.6	9,600	46.7	192.6	10,000				190	
200	42.3	183.1	8,300	43.6	182.0	8,600				200	
210	38.9	171.3	7,000*							210	
220	35.3	157.9	5,600*							220	
<b>230</b>	50	80.6	276.6	30,000*							50
	55	79.6	275.7	30,000*							55
	60	78.5	274.7	30,000*	79.9	273.9	30,000*				60
	65	77.4	273.6	30,000*	78.8	272.8	30,000*	80.2	271.0	30,000*	65
	70	76.4	272.4	30,000*	77.7	271.6	30,000*	79.1	269.8	30,000*	70
	75	75.3	271.1	30,000*	76.7	270.3	30,000*	78.0	268.5	30,000*	75
	80	74.2	269.7	30,000*	75.6	268.9	30,000*	76.9	267.1	30,000*	80
	90	72.0	266.6	30,000*	73.4	265.8	30,000*	74.7	263.9	30,000*	90
	100	69.8	263.1	30,000*	71.1	262.3	30,000*	72.4	260.4	30,000*	100
	110	67.5	259.1	30,000*	68.9	258.3	30,000*	70.2	256.4	30,000*	110
	120	65.2	254.6	25,800	66.6	253.8	26,700	67.8	251.9	27,600	120
	130	62.9	249.7	22,300	64.2	248.9	23,100	65.5	246.9	23,800	130
	140	60.5	244.3	19,200	61.8	243.4	20,000	63.1	241.3	20,600	140
	150	58.1	238.2	16,600	59.4	237.4	17,300	60.6	235.3	17,900	150
160	55.5	231.6	14,400	56.9	230.7	15,000	58.0	228.5	15,500	160	
170	52.9	224.3	12,400	54.3	223.4	12,900	55.4	221.1	13,400	170	
180	50.3	216.3	10,600	51.6	215.4	11,100	52.7	213.0	11,500	180	
190	47.5	207.5	9,100	48.8	206.5	9,500				190	
200	44.5	197.7	7,700	45.8	196.7	8,100				200	
210	41.4	186.9	6,200*	42.7	185.8	6,700*				210	
220	38.1	174.7	4,800*							220	



# LIFTCRANE JIB CAPACITIES

MEETS  
ANSI B30.5  
REQUIREMENTS

# 4100W SERIES 2

JIB NO. 123 WITH 12' 6" STRUT ON  
BOOM NO. 22C WITH OPEN THROAT TOP  
146,400 LB. CRANE COUNTERWEIGHT  
60,000 LB. CARBODY COUNTERWEIGHT  
26' 6" CRAWLERS EXTENDED

## 40 FOOT JIB

BOOM LGTH. FEET	JIB OPER. RAD. FEET	0 DEGREE OFFSET			10 DEGREE OFFSET			20 DEGREE OFFSET			JIB OPER. RAD. FEET
		BOOM ANG. DEG.	JIB POINT ELEV. FEET	CAPACITY POUNDS	BOOM ANG. DEG.	JIB POINT ELEV. FEET	CAPACITY POUNDS	BOOM ANG. DEG.	JIB POINT ELEV. FEET	CAPACITY POUNDS	
<b>240</b>	55	79.9	285.8	30,000*							55
	60	78.9	284.9	30,000*	80.3	284.1	30,000*				60
	65	77.9	283.8	30,000*	79.2	283.1	30,000*	80.5	281.2	30,000*	65
	70	76.8	282.7	30,000*	78.2	281.9	30,000*	79.5	280.1	30,000*	70
	75	75.8	281.4	30,000*	77.1	280.7	30,000*	78.4	278.8	30,000*	75
	80	74.8	280.1	30,000*	76.1	279.3	30,000*	77.4	277.5	30,000*	80
	90	72.6	277.1	30,000*	74.0	276.3	30,000*	75.3	274.4	30,000*	90
	100	70.5	273.7	30,000*	71.8	272.9	30,000*	73.1	271.0	30,000*	100
	110	68.4	269.9	29,600	69.7	269.1	30,000*	70.9	267.2	30,000*	110
	120	66.2	265.6	25,300	67.5	264.9	26,200	68.7	262.9	27,100	120
	130	63.9	260.9	21,700	65.2	260.1	22,600	66.4	258.1	23,300	130
	140	61.6	255.7	18,700	62.9	254.9	19,400	64.1	252.8	20,100	140
	150	59.3	250.0	16,100	60.6	249.1	16,800	61.8	247.0	17,400	150
	160	56.9	243.7	13,800	58.2	242.8	14,400	59.4	240.6	15,000	160
	170	54.5	236.8	11,800	55.7	235.9	12,400	56.9	233.6	12,900	170
	180	51.9	229.2	10,100	53.2	228.3	10,600	54.3	226.0	11,000	180
	190	49.3	220.9	8,500	50.5	219.9	9,000				190
	200	46.6	211.8	7,000*	47.8	210.8	7,600*				200
210	43.7	201.7	5,400*	44.9	200.7	5,900*				210	
220	40.7	190.6	4,000*							220	



# LIFT CRANE JIB CAPACITIES

MEETS  
ANSI B30.5  
REQUIREMENTS

# 4100W SERIES 2

JIB NO. 123 WITH 12' 6" STRUT ON  
BOOM NO. 22C WITH OPEN THROAT TOP  
146,400 LB. CRANE COUNTERWEIGHT  
60,000 LB. CARBODY COUNTERWEIGHT  
26' 6" CRAWLERS EXTENDED

## 50 FOOT JIB

BOOM LGTH. FEET	JIB OPER. RAD. FEET	0 DEGREE OFFSET			10 DEGREE OFFSET			20 DEGREE OFFSET			JIB OPER. RAD. FEET
		BOOM ANG. DEG.	JIB POINT ELEV. FEET	CAPACITY POUNDS	BOOM ANG. DEG.	JIB POINT ELEV. FEET	CAPACITY POUNDS	BOOM ANG. DEG.	JIB POINT ELEV. FEET	CAPACITY POUNDS	
<b>110</b>	35	79.9	167.7	20,000*							35
	40	78.1	166.7	20,000*							40
	45	76.3	165.5	20,000*	79.2	164.8	20,000*				45
	50	74.5	164.1	20,000*	77.4	163.4	20,000*	80.3	161.6	20,000*	50
	55	72.7	162.6	20,000*	75.6	161.9	20,000*	78.4	160.1	20,000*	55
	60	70.8	160.9	20,000*	73.7	160.2	20,000*	76.6	158.3	20,000*	60
	65	68.9	159.0	20,000*	71.8	158.3	20,000*	74.7	156.4	20,000*	65
	70	67.0	157.0	20,000*	69.9	156.2	20,000*	72.7	154.3	20,000*	70
	75	65.1	154.7	20,000*	68.0	154.0	20,000*	70.8	152.0	20,000*	75
	80	63.1	152.2	20,000*	66.0	151.5	20,000*	68.8	149.5	20,000*	80
	90	59.1	146.6	20,000*	62.0	145.8	20,000*	64.7	143.7	20,000*	90
	100	54.9	140.0	20,000*	57.7	139.2	20,000*	60.4	137.0	20,000*	100
	110	50.5	132.2	20,000*	53.3	131.4	20,000*	55.8	129.0	20,000*	110
	120	45.7	123.1	20,000*	48.5	122.2	20,000*				120
130	40.6	112.3	20,000*	43.3	111.2	20,000*				130	
140	34.8	99.1	20,000*							140	
<b>120</b>	35	80.5	177.9	20,000*							35
	40	78.8	176.9	20,000*							40
	45	77.1	175.8	20,000*	79.9	175.1	20,000*				45
	50	75.4	174.5	20,000*	78.2	173.8	20,000*	80.9	171.9	20,000*	50
	55	73.7	173.1	20,000*	76.4	172.4	20,000*	79.1	170.5	20,000*	55
	60	71.9	171.5	20,000*	74.7	170.8	20,000*	77.4	168.9	20,000*	60
	65	70.2	169.7	20,000*	72.9	169.0	20,000*	75.6	167.1	20,000*	65
	70	68.4	167.8	20,000*	71.2	167.1	20,000*	73.8	165.1	20,000*	70
	75	66.6	165.7	20,000*	69.4	164.9	20,000*	72.0	163.0	20,000*	75
	80	64.8	163.4	20,000*	67.5	162.6	20,000*	70.1	160.6	20,000*	80
	90	61.1	158.2	20,000*	63.8	157.4	20,000*	66.3	155.3	20,000*	90
	100	57.2	152.1	20,000*	59.9	151.3	20,000*	62.4	149.1	20,000*	100
	110	53.2	145.0	20,000*	55.8	144.2	20,000*	58.3	141.9	20,000*	110
	120	48.9	136.8	20,000*	51.5	135.9	20,000*	53.9	133.5	19,500*	120
130	44.3	127.2	20,000*	46.9	126.2	20,000*				130	
140	39.3	115.9	20,000*	41.9	114.7	20,000*				140	
150	33.7	102.1	20,000*							150	
<b>130</b>	40	79.4	187.1	20,000*							40
	45	77.8	186.0	20,000*	80.4	185.3	20,000*				45
	50	76.2	184.9	20,000*	78.8	184.1	20,000*				50
	55	74.6	183.5	20,000*	77.2	182.8	20,000*	79.8	180.9	20,000*	55
	60	73.0	182.0	20,000*	75.6	181.3	20,000*	78.1	179.3	20,000*	60
	65	71.3	180.4	20,000*	73.9	179.6	20,000*	76.4	177.7	20,000*	65
	70	69.7	178.6	20,000*	72.2	177.8	20,000*	74.8	175.8	20,000*	70
	75	68.0	176.6	20,000*	70.6	175.8	20,000*	73.0	173.8	20,000*	75
	80	66.3	174.4	20,000*	68.8	173.6	20,000*	71.3	171.6	20,000*	80
	90	62.8	169.6	20,000*	65.4	168.8	20,000*	67.8	166.7	20,000*	90
	100	59.2	163.9	20,000*	61.8	163.1	20,000*	64.1	160.9	20,000*	100
	110	55.5	157.4	20,000*	58.0	156.5	20,000*	60.3	154.3	20,000*	110
	120	51.6	149.9	20,000*	54.1	149.0	20,000*	56.3	146.6	20,000*	120
	130	47.5	141.2	20,000*	49.9	140.3	20,000*	52.1	137.7	19,100*	130
140	43.0	131.2	20,000*	45.4	130.1	20,000*				140	
150	38.2	119.3	20,000*							150	
160	32.7	105.1	20,000*							160	
<b>140</b>	40	80.0	197.3	20,000*							40
	45	78.5	196.3	20,000*	80.9	195.5	20,000*				45
	50	76.9	195.2	20,000*	79.4	194.4	20,000*				50
	55	75.4	193.9	20,000*	77.9	193.1	20,000*	80.3	191.2	20,000*	55
	60	73.9	192.5	20,000*	76.3	191.7	20,000*	78.8	189.8	20,000*	60
	65	72.3	190.9	20,000*	74.8	190.2	20,000*	77.2	188.2	20,000*	65
	70	70.8	189.2	20,000*	73.2	188.4	20,000*	75.6	186.4	20,000*	70
	75	69.2	187.3	20,000*	71.6	186.6	20,000*	74.0	184.5	20,000*	75
	80	67.6	185.3	20,000*	70.0	184.5	20,000*	72.4	182.5	20,000*	80
	90	64.3	180.8	20,000*	66.7	180.0	20,000*	69.1	177.9	20,000*	90
	100	61.0	175.5	20,000*	63.4	174.7	20,000*	65.7	172.5	20,000*	100
	110	57.5	169.5	20,000*	59.9	168.6	20,000*	62.1	166.3	20,000*	110
	120	53.9	162.5	20,000*	56.3	161.6	20,000*	58.5	159.3	20,000*	120
	130	50.1	154.6	20,000*	52.5	153.7	20,000*	54.6	151.2	19,700*	130
140	46.1	145.5	20,000*	48.5	144.5	20,000*				140	
150	41.8	135.0	20,000*	44.1	133.9	20,000*				150	
160	37.1	122.7	19,500							160	
170	31.8	107.9	17,600							170	



# LIFT CRANE JIB CAPACITIES

MEETS  
ANSI B30.5  
REQUIREMENTS

# 4100W SERIES 2

JIB NO. 123 WITH 12' 6" STRUT ON  
BOOM NO. 22C WITH OPEN THROAT TOP  
146,400 LB. CRANE COUNTERWEIGHT  
60,000 LB. CARBODY COUNTERWEIGHT  
26' 6" CRAWLERS EXTENDED

## 50 FOOT JIB

BOOM LGTH. FEET	JIB OPER. RAD. FEET	0 DEGREE OFFSET			10 DEGREE OFFSET			20 DEGREE OFFSET			JIB OPER. RAD. FEET
		BOOM ANG. DEG.	JIB POINT ELEV. FEET	CAPACITY POUNDS	BOOM ANG. DEG.	JIB POINT ELEV. FEET	CAPACITY POUNDS	BOOM ANG. DEG.	JIB POINT ELEV. FEET	CAPACITY POUNDS	
<b>150</b>	40	80.5	207.4	20,000*							40
	45	79.0	206.5	20,000*							45
	50	77.6	205.4	20,000*	79.9	204.7	20,000*				50
	55	76.1	204.2	20,000*	78.5	203.5	20,000*	80.8	201.5	20,000*	55
	60	74.7	202.9	20,000*	77.0	202.1	20,000*	79.3	200.1	20,000*	60
	65	73.2	201.4	20,000*	75.6	200.6	20,000*	77.9	198.6	20,000*	65
	70	71.7	199.8	20,000*	74.1	199.0	20,000*	76.4	197.0	20,000*	70
	75	70.2	198.0	20,000*	72.6	197.3	20,000*	74.8	195.2	20,000*	75
	80	68.7	196.1	20,000*	71.1	195.3	20,000*	73.3	193.3	20,000*	80
	90	65.7	191.8	20,000*	68.0	191.0	20,000*	70.2	188.9	20,000*	90
	100	62.5	186.9	20,000*	64.8	186.1	20,000*	67.0	183.9	20,000*	100
	110	59.3	181.2	20,000*	61.6	180.4	20,000*	63.7	178.1	20,000*	110
	120	56.0	174.8	20,000*	58.2	173.9	20,000*	60.3	171.6	20,000*	120
	130	52.5	167.5	20,000*	54.7	166.6	20,000*	56.7	164.1	20,000*	130
	140	48.8	159.2	20,000*	51.0	158.2	20,000*	53.0	155.6	19,300*	140
	150	44.9	149.7	20,000*	47.1	148.6	20,000*				150
	160	40.7	138.7	19,000	42.9	137.6	19,400				160
170	36.2	126.0	17,000							170	
<b>160</b>	40	80.9	217.6	20,000*							40
	45	79.6	216.7	20,000*							45
	50	78.2	215.7	20,000*	80.4	214.9	20,000*				50
	55	76.8	214.5	20,000*	79.0	213.8	20,000*				55
	60	75.4	213.3	20,000*	77.7	212.5	20,000*	79.9	210.5	20,000*	60
	65	74.0	211.9	20,000*	76.3	211.1	20,000*	78.4	209.0	20,000*	65
	70	72.6	210.3	20,000*	74.8	209.5	20,000*	77.0	207.5	20,000*	70
	75	71.2	208.6	20,000*	73.4	207.9	20,000*	75.6	205.8	20,000*	75
	80	69.8	206.8	20,000*	72.0	206.0	20,000*	74.1	204.0	20,000*	80
	90	66.9	202.8	20,000*	69.1	202.0	20,000*	71.2	199.9	20,000*	90
	100	63.9	198.1	20,000*	66.1	197.3	20,000*	68.2	195.1	20,000*	100
	110	60.9	192.8	20,000*	63.1	192.0	20,000*	65.1	189.7	20,000*	110
	120	57.8	186.8	20,000*	59.9	185.9	20,000*	61.9	183.6	20,000*	120
	130	54.5	180.0	20,000*	56.7	179.1	20,000*	58.6	176.7	20,000*	130
	140	51.1	172.3	20,000*	53.2	171.3	20,000*	55.2	168.8	19,800*	140
	150	47.6	163.6	20,000*	49.7	162.6	20,000*				150
	160	43.8	153.7	18,300	45.9	152.6	18,800				160
170	39.7	142.4	16,400	41.8	141.2	16,700				170	
180	35.3	129.1	14,600							180	
<b>170</b>	45	80.0	226.9	20,000*							45
	50	78.7	225.9	20,000*	80.9	225.1	20,000*				50
	55	77.4	224.8	20,000*	79.5	224.0	20,000*				55
	60	76.1	223.6	20,000*	78.2	222.8	20,000*	80.3	220.8	20,000*	60
	65	74.8	222.3	20,000*	76.9	221.5	20,000*	79.0	219.4	20,000*	65
	70	73.4	220.8	20,000*	75.6	220.0	20,000*	77.6	217.9	20,000*	70
	75	72.1	219.2	20,000*	74.2	218.4	20,000*	76.3	216.3	20,000*	75
	80	70.7	217.5	20,000*	72.8	216.7	20,000*	74.9	214.6	20,000*	80
	90	68.0	213.7	20,000*	70.1	212.8	20,000*	72.1	210.7	20,000*	90
	100	65.2	209.2	20,000*	67.3	208.4	20,000*	69.3	206.2	20,000*	100
	110	62.3	204.2	20,000*	64.4	203.4	20,000*	66.4	201.1	20,000*	110
	120	59.4	198.6	20,000*	61.4	197.7	20,000*	63.4	195.4	20,000*	120
	130	56.3	192.2	20,000*	58.4	191.3	20,000*	60.3	188.9	20,000*	130
	140	53.2	185.0	20,000*	55.2	184.1	20,000*	57.1	181.6	20,000*	140
	150	49.9	177.0	20,000*	51.9	176.0	20,000*	53.7	173.4	19,500*	150
	160	46.4	167.9	17,900	48.4	166.9	18,400				160
	170	42.7	157.6	16,000	44.7	156.5	16,400				170
180	38.8	145.9	14,200							180	
190	34.4	132.3	12,700							190	



# LIFT CRANE JIB CAPACITIES

MEETS  
ANSI B30.5  
REQUIREMENTS

# 4100W SERIES 2

JIB NO. 123 WITH 12' 6" STRUT ON  
BOOM NO. 22C WITH OPEN THROAT TOP  
146,400 LB. CRANE COUNTERWEIGHT  
60,000 LB. CARBODY COUNTERWEIGHT  
26' 6" CRAWLERS EXTENDED

## 50 FOOT JIB

BOOM LGTH. FEET	JIB OPER. RAD. FEET	0 DEGREE OFFSET			10 DEGREE OFFSET			20 DEGREE OFFSET			JIB OPER. RAD. FEET
		BOOM ANG. DEG.	JIB POINT ELEV. FEET	CAPACITY POUNDS	BOOM ANG. DEG.	JIB POINT ELEV. FEET	CAPACITY POUNDS	BOOM ANG. DEG.	JIB POINT ELEV. FEET	CAPACITY POUNDS	
<b>180</b>	45	80.5	237.0	20,000*							45
	50	79.2	236.1	20,000*							50
	55	78.0	235.0	20,000*	80.0	234.3	20,000*				55
	60	76.7	233.9	20,000*	78.7	233.1	20,000*	80.8	231.0	20,000*	60
	65	75.4	232.6	20,000*	77.5	231.8	20,000*	79.5	229.8	20,000*	65
	70	74.2	231.2	20,000*	76.2	230.4	20,000*	78.2	228.4	20,000*	70
	75	72.9	229.7	20,000*	74.9	228.9	20,000*	76.9	226.8	20,000*	75
	80	71.6	228.1	20,000*	73.6	227.3	20,000*	75.6	225.2	20,000*	80
	90	69.0	224.4	20,000*	71.0	223.6	20,000*	72.9	221.5	20,000*	90
	100	66.3	220.2	20,000*	68.3	219.4	20,000*	70.2	217.2	20,000*	100
	110	63.6	215.5	20,000*	65.6	214.6	20,000*	67.5	212.4	20,000*	110
	120	60.8	210.1	20,000*	62.8	209.3	20,000*	64.7	207.0	20,000*	120
	130	57.9	204.1	20,000*	59.9	203.2	20,000*	61.7	200.9	20,000*	130
	140	55.0	197.4	20,000*	57.0	196.5	20,000*	58.7	194.0	20,000*	140
	150	51.9	189.9	19,600	53.9	189.0	20,000*	55.6	186.4	19,900*	150
	160	48.7	181.5	17,300	50.6	180.5	17,900	52.3	177.8	18,300	160
	170	45.3	172.1	15,300	47.3	171.0	15,800				170
	180	41.8	161.5	13,600	43.6	160.3	14,000				180
	190	37.9	149.3	12,100							190
	200	33.7	135.3	10,700							200
<b>190</b>	45	80.9	247.2	20,000*							45
	50	79.7	246.3	20,000*							50
	55	78.5	245.3	20,000*	80.4	244.5	20,000*				55
	60	77.3	244.2	20,000*	79.2	243.4	20,000*				60
	65	76.0	243.0	20,000*	78.0	242.2	20,000*	79.9	240.1	20,000*	65
	70	74.8	241.6	20,000*	76.8	240.8	20,000*	78.7	238.7	20,000*	70
	75	73.6	240.2	20,000*	75.6	239.4	20,000*	77.5	237.3	20,000*	75
	80	72.4	238.6	20,000*	74.3	237.8	20,000*	76.2	235.7	20,000*	80
	90	69.9	235.1	20,000*	71.8	234.3	20,000*	73.7	232.1	20,000*	90
	100	67.3	231.1	20,000*	69.3	230.3	20,000*	71.1	228.1	20,000*	100
	110	64.8	226.6	20,000*	66.7	225.8	20,000*	68.5	223.5	20,000*	110
	120	62.1	221.6	20,000*	64.0	220.7	20,000*	65.8	218.4	20,000*	120
	130	59.4	215.9	20,000*	61.3	215.0	20,000*	63.1	212.6	20,000*	130
	140	56.6	209.6	20,000*	58.5	208.6	20,000*	60.2	206.2	20,000*	140
	150	53.8	202.5	19,000	55.6	201.6	19,700	57.3	199.0	20,000*	150
	160	50.8	194.7	16,800	52.6	193.7	17,300	54.3	191.1	17,900	160
	170	47.6	186.0	14,800	49.5	184.9	15,300				170
	180	44.3	176.2	13,000	46.2	175.1	13,500				180
	190	40.9	165.2	11,500	42.6	164.0	11,900				190
	200	37.1	152.7	10,100							200
210	32.9	138.2	8,900							210	
<b>200</b>	50	80.1	256.4	20,000*							50
	55	78.9	255.5	20,000*	80.8	254.7	20,000*				55
	60	77.8	254.4	20,000*	79.7	253.6	20,000*				60
	65	76.6	253.3	20,000*	78.5	252.5	20,000*	80.3	250.4	20,000*	65
	70	75.4	252.0	20,000*	77.3	251.2	20,000*	79.2	249.1	20,000*	70
	75	74.3	250.6	20,000*	76.1	249.8	20,000*	78.0	247.7	20,000*	75
	80	73.1	249.1	20,000*	75.0	248.3	20,000*	76.8	246.2	20,000*	80
	90	70.7	245.8	20,000*	72.6	244.9	20,000*	74.4	242.8	20,000*	90
	100	68.3	242.0	20,000*	70.1	241.1	20,000*	71.9	238.9	20,000*	100
	110	65.8	237.7	20,000*	67.7	236.8	20,000*	69.4	234.6	20,000*	110
	120	63.3	232.9	20,000*	65.2	232.0	20,000*	66.9	229.7	20,000*	120
	130	60.7	227.5	20,000*	62.6	226.6	20,000*	64.3	224.2	20,000*	130
	140	58.1	221.5	20,000*	59.9	220.6	20,000*	61.6	218.1	20,000*	140
	150	55.4	214.9	18,400	57.2	213.9	19,100	58.8	211.4	19,700	150
	160	52.6	207.5	16,100	54.4	206.5	16,800	56.0	203.9	17,300	160
170	49.7	199.4	14,200	51.5	198.3	14,700	53.0	195.6	15,200	170	
180	46.6	190.3	12,400	48.4	189.2	12,900				180	
190	43.4	180.2	10,900	45.2	179.1	11,300				190	
200	40.0	168.8	9,500	41.7	167.6	9,900				200	
210	36.3	156.0	8,200							210	
220	32.3	141.1	7,100							220	



# LIFT CRANE JIB CAPACITIES

MEETS  
ANSI B30.5  
REQUIREMENTS

# 4100W SERIES 2

JIB NO. 123 WITH 12' 6" STRUT ON  
BOOM NO. 22C WITH OPEN THROAT TOP  
146,400 LB. CRANE COUNTERWEIGHT  
60,000 LB. CARBODY COUNTERWEIGHT  
26' 6" CRAWLERS EXTENDED

## 50 FOOT JIB

BOOM LGTH. FEET	JIB OPER. RAD. FEET	0 DEGREE OFFSET			10 DEGREE OFFSET			20 DEGREE OFFSET			JIB OPER. RAD. FEET
		BOOM ANG. DEG.	JIB POINT ELEV. FEET	CAPACITY POUNDS	BOOM ANG. DEG.	JIB POINT ELEV. FEET	CAPACITY POUNDS	BOOM ANG. DEG.	JIB POINT ELEV. FEET	CAPACITY POUNDS	
<b>210</b>	50	80.5	266.6	20,000*							50
	55	79.3	265.7	20,000*							55
	60	78.2	264.7	20,000*	80.1	263.9	20,000*				60
	65	77.1	263.5	20,000*	78.9	262.7	20,000*	80.7	260.6	20,000*	65
	70	76.0	262.3	20,000*	77.8	261.5	20,000*	79.6	259.4	20,000*	70
	75	74.9	261.0	20,000*	76.7	260.2	20,000*	78.5	258.0	20,000*	75
	80	73.7	259.6	20,000*	75.5	258.7	20,000*	77.3	256.6	20,000*	80
	90	71.5	256.4	20,000*	73.3	255.5	20,000*	75.0	253.4	20,000*	90
	100	69.2	252.7	20,000*	70.9	251.9	20,000*	72.7	249.7	20,000*	100
	110	66.8	248.6	20,000*	68.6	247.8	20,000*	70.3	245.5	20,000*	110
	120	64.4	244.0	20,000*	66.2	243.1	20,000*	67.8	240.9	20,000*	120
	130	62.0	238.9	20,000*	63.7	238.0	20,000*	65.4	235.7	20,000*	130
	140	59.5	233.2	20,000*	61.2	232.3	20,000*	62.8	229.9	20,000*	140
	150	56.9	226.9	18,000	58.6	226.0	18,700	60.2	223.5	19,400	150
	160	54.2	220.0	15,700	56.0	219.0	16,400	57.5	216.5	17,000	160
	170	51.5	212.4	13,800	53.2	211.3	14,300	54.7	208.7	14,900	170
	180	48.7	203.9	12,000	50.4	202.8	12,500	51.8	200.1	13,000	180
	190	45.7	194.5	10,500	47.4	193.4	10,900				190
	200	42.5	184.1	9,100	44.2	182.9	9,500				200
	210	39.2	172.4	7,800							210
	220	35.6	159.2	6,700*							220
	<b>220</b>	50	80.8	276.7	20,000*						
55		79.7	275.9	20,000*							55
60		78.7	274.9	20,000*	80.4	274.1	20,000*				60
65		77.6	273.8	20,000*	79.3	273.0	20,000*				65
70		76.5	272.6	20,000*	78.3	271.8	20,000*	80.0	269.7	20,000*	70
75		75.4	271.3	20,000*	77.2	270.5	20,000*	78.9	268.4	20,000*	75
80		74.4	270.0	20,000*	76.1	269.1	20,000*	77.8	267.0	20,000*	80
90		72.2	266.9	20,000*	73.9	266.1	20,000*	75.6	263.9	20,000*	90
100		69.9	263.4	20,000*	71.7	262.6	20,000*	73.3	260.4	20,000*	100
110		67.7	259.5	20,000*	69.4	258.6	20,000*	71.1	256.4	20,000*	110
120		65.4	255.1	20,000*	67.1	254.2	20,000*	68.7	251.9	20,000*	120
130		63.1	250.2	20,000*	64.8	249.3	20,000*	66.4	247.0	20,000*	130
140		60.7	244.8	20,000*	62.4	243.9	20,000*	64.0	241.5	20,000*	140
150		58.3	238.8	17,400	59.9	237.9	18,200	61.5	235.4	18,900	150
160		55.7	232.3	15,100	57.4	231.3	15,800	58.9	228.8	16,500	160
170	53.2	225.0	13,200	54.8	224.0	13,800	56.3	221.4	14,400	170	
180	50.5	217.1	11,400	52.1	216.1	12,000	53.6	213.3	12,500	180	
190	47.7	208.3	9,900	49.3	207.3	10,400				190	
200	44.8	198.7	8,500	46.4	197.5	8,900				200	
210	41.7	187.9	7,200	43.3	186.7	7,600				210	
220	38.4	175.9	5,900*							220	
230	34.9	162.3	4,600*							230	
<b>230</b>	55	80.1	286.0	20,000*							55
	60	79.1	285.1	20,000*	80.8	284.3	20,000*				60
	65	78.0	284.0	20,000*	79.7	283.2	20,000*				65
	70	77.0	282.9	20,000*	78.7	282.1	20,000*	80.3	279.9	20,000*	70
	75	76.0	281.7	20,000*	77.6	280.9	20,000*	79.3	278.7	20,000*	75
	80	74.9	280.4	20,000*	76.6	279.5	20,000*	78.2	277.4	20,000*	80
	90	72.8	277.4	20,000*	74.5	276.6	20,000*	76.1	274.4	20,000*	90
	100	70.7	274.1	20,000*	72.3	273.2	20,000*	74.0	271.0	20,000*	100
	110	68.5	270.3	20,000*	70.2	269.4	20,000*	71.8	267.2	20,000*	110
	120	66.3	266.1	20,000*	68.0	265.2	20,000*	69.5	262.9	20,000*	120
	130	64.1	261.4	20,000*	65.7	260.5	20,000*	67.3	258.2	20,000*	130
	140	61.8	256.2	19,400	63.5	255.3	20,000*	65.0	252.9	20,000*	140
	150	59.5	250.5	16,800	61.1	249.6	17,600	62.6	247.2	18,400	150
	160	57.1	244.3	14,600	58.7	243.3	15,300	60.2	240.8	16,000	160
	170	54.7	237.5	12,600	56.3	236.5	13,300	57.7	233.9	13,900	170
180	52.1	230.0	10,900	53.7	228.9	11,500	55.2	226.3	12,000	180	
190	49.5	221.7	9,300	51.1	220.7	9,800	52.5	217.9	10,300	190	
200	46.8	212.7	7,900	48.4	211.6	8,400				200	
210	43.9	202.7	6,500*	45.5	201.6	7,100*				210	
220	40.9	191.7	5,100*	42.5	190.4	5,600*				220	



# LIFT CRANE JIB CAPACITIES

MEETS  
ANSI B30.5  
REQUIREMENTS

# 4100W SERIES 2

JIB NO. 123 WITH 12' 6" STRUT ON  
BOOM NO. 22C WITH OPEN THROAT TOP  
146,400 LB. CRANE COUNTERWEIGHT  
60,000 LB. CARBODY COUNTERWEIGHT  
26' 6" CRAWLERS EXTENDED

## 60 FOOT JIB

BOOM LGTH. FEET	JIB OPER. RAD. FEET	0 DEGREE OFFSET			10 DEGREE OFFSET			20 DEGREE OFFSET			JIB OPER. RAD. FEET
		BOOM ANG. DEG.	JIB POINT ELEV. FEET	CAPACITY POUNDS	BOOM ANG. DEG.	JIB POINT ELEV. FEET	CAPACITY POUNDS	BOOM ANG. DEG.	JIB POINT ELEV. FEET	CAPACITY POUNDS	
<b>110</b>	35	80.2	177.9	10,000*							35
	40	78.5	176.9	10,000*							40
	45	76.8	175.8	10,000*	80.2	175.2	10,000*				45
	50	75.1	174.5	10,000*	78.4	173.9	10,000*				50
	55	73.4	173.1	10,000*	76.7	172.4	10,000*	80.1	170.5	10,000*	55
	60	71.7	171.5	10,000*	75.0	170.9	10,000*	78.3	168.9	10,000*	60
	65	69.9	169.8	10,000*	73.2	169.1	10,000*	76.5	167.1	10,000*	65
	70	68.1	167.8	10,000*	71.4	167.1	10,000*	74.7	165.1	10,000*	70
	75	66.3	165.7	10,000*	69.6	165.0	10,000*	72.9	162.9	10,000*	75
	80	64.5	163.4	10,000*	67.8	162.7	10,000*	71.0	160.6	10,000*	80
	90	60.8	158.2	10,000*	64.1	157.5	10,000*	67.2	155.3	10,000*	90
	100	56.9	152.1	10,000*	60.2	151.4	10,000*	63.3	149.1	10,000*	100
	110	52.9	145.1	10,000*	56.1	144.3	10,000*	59.2	141.9	10,000*	110
	120	48.6	136.8	10,000*	51.8	136.0	10,000*	54.8	133.4	10,000*	120
130	44.0	127.2	10,000*	47.2	126.3	10,000*				130	
140	39.0	115.9	10,000*	42.2	114.9	10,000*				140	
150	33.4	102.1	10,000*							150	
<b>120</b>	35	80.7	188.0	10,000*							35
	40	79.1	187.1	10,000*							40
	45	77.5	186.1	10,000*	80.7	185.4	10,000*				45
	50	75.9	184.9	10,000*	79.1	184.2	10,000*				50
	55	74.3	183.5	10,000*	77.5	182.9	10,000*	80.6	180.8	10,000*	55
	60	72.7	182.0	10,000*	75.8	181.3	10,000*	79.0	179.3	10,000*	60
	65	71.1	180.4	10,000*	74.2	179.7	10,000*	77.3	177.6	10,000*	65
	70	69.4	178.6	10,000*	72.5	177.9	10,000*	75.6	175.8	10,000*	70
	75	67.7	176.6	10,000*	70.8	175.9	10,000*	73.9	173.8	10,000*	75
	80	66.0	174.4	10,000*	69.1	173.7	10,000*	72.2	171.6	10,000*	80
	90	62.5	169.6	10,000*	65.6	168.8	10,000*	68.6	166.6	10,000*	90
	100	59.0	163.9	10,000*	62.0	163.2	10,000*	65.0	160.9	10,000*	100
	110	55.2	157.4	10,000*	58.3	156.6	10,000*	61.2	154.2	10,000*	110
	120	51.3	149.9	10,000*	54.4	149.1	10,000*	57.2	146.6	10,000*	120
130	47.2	141.3	10,000*	50.2	140.4	10,000*	53.0	137.7	10,000*	130	
140	42.8	131.2	10,000*	45.7	130.2	10,000*				140	
150	37.9	119.3	10,000*	40.9	118.3	10,000*				150	
160	32.5	105.1	10,000*							160	
<b>130</b>	40	79.7	197.3	10,000*							40
	45	78.2	196.3	10,000*							45
	50	76.7	195.2	10,000*	79.7	194.5	10,000*				50
	55	75.2	193.9	10,000*	78.1	193.2	10,000*				55
	60	73.6	192.5	10,000*	76.6	191.8	10,000*	79.6	189.7	10,000*	60
	65	72.1	190.9	10,000*	75.0	190.2	10,000*	78.0	188.1	10,000*	65
	70	70.5	189.2	10,000*	73.5	188.5	10,000*	76.4	186.4	10,000*	70
	75	68.9	187.4	10,000*	71.9	186.6	10,000*	74.8	184.5	10,000*	75
	80	67.3	185.3	10,000*	70.3	184.6	10,000*	73.2	182.4	10,000*	80
	90	64.1	180.8	10,000*	67.0	180.0	10,000*	69.9	177.8	10,000*	90
	100	60.7	175.5	10,000*	63.6	174.8	10,000*	66.5	172.5	10,000*	100
	110	57.3	169.5	10,000*	60.2	168.7	10,000*	62.9	166.3	10,000*	110
	120	53.7	162.6	10,000*	56.5	161.7	10,000*	59.3	159.2	10,000*	120
	130	49.9	154.6	10,000*	52.7	153.8	10,000*	55.4	151.1	10,000*	130
140	45.9	145.5	10,000*	48.7	144.6	10,000*	51.3	141.8	10,000*	140	
150	41.6	135.0	10,000*	44.4	134.0	10,000*				150	
160	36.9	122.7	10,000*							160	
170	31.6	107.9	10,000*							170	



# LIFT CRANE JIB CAPACITIES

MEETS  
ANSI B30.5  
REQUIREMENTS

# 4100W SERIES 2

JIB NO. 123 WITH 12' 6" STRUT ON  
BOOM NO. 22C WITH OPEN THROAT TOP  
146,400 LB. CRANE COUNTERWEIGHT  
60,000 LB. CARBODY COUNTERWEIGHT  
26' 6" CRAWLERS EXTENDED

## 60 FOOT JIB

BOOM LGTH. FEET	JIB OPER. RAD. FEET	0 DEGREE OFFSET			10 DEGREE OFFSET			20 DEGREE OFFSET			JIB OPER. RAD. FEET
		BOOM ANG. DEG.	JIB POINT ELEV. FEET	CAPACITY POUNDS	BOOM ANG. DEG.	JIB POINT ELEV. FEET	CAPACITY POUNDS	BOOM ANG. DEG.	JIB POINT ELEV. FEET	CAPACITY POUNDS	
<b>140</b>	40	80.2	207.4	10,000*							40
	45	78.8	206.5	10,000*							45
	50	77.3	205.4	10,000*	80.2	204.7	10,000*				50
	55	75.9	204.2	10,000*	78.7	203.5	10,000*				55
	60	74.4	202.9	10,000*	77.3	202.2	10,000*	80.1	200.1	10,000*	60
	65	73.0	201.4	10,000*	75.8	200.7	10,000*	78.6	198.6	10,000*	65
	70	71.5	199.8	10,000*	74.3	199.1	10,000*	77.1	196.9	10,000*	70
	75	70.0	198.0	10,000*	72.8	197.3	10,000*	75.6	195.1	10,000*	75
	80	68.5	196.1	10,000*	71.3	195.4	10,000*	74.1	193.2	10,000*	80
	90	65.4	191.9	10,000*	68.2	191.1	10,000*	71.0	188.9	10,000*	90
	100	62.3	186.9	10,000*	65.1	186.1	10,000*	67.8	183.8	10,000*	100
	110	59.1	181.3	10,000*	61.8	180.5	10,000*	64.5	178.1	10,000*	110
	120	55.7	174.8	10,000*	58.5	174.0	10,000*	61.1	171.5	10,000*	120
	130	52.2	167.5	10,000*	55.0	166.6	10,000*	57.5	164.0	10,000*	130
	140	48.6	159.2	10,000*	51.3	158.3	10,000*	53.8	155.5	10,000*	140
	150	44.7	149.7	10,000*	47.4	148.7	10,000*				150
	160	40.5	138.8	10,000*	43.2	137.7	10,000*				160
	170	35.9	126.0	10,000*							170
180	30.8	110.7	10,000*							180	
<b>150</b>	40	80.7	217.6	10,000*							40
	45	79.3	216.7	10,000*							45
	50	78.0	215.7	10,000*	80.7	215.0	10,000*				50
	55	76.6	214.5	10,000*	79.3	213.8	10,000*				55
	60	75.2	213.3	10,000*	77.9	212.5	10,000*	80.6	210.4	10,000*	60
	65	73.8	211.9	10,000*	76.5	211.1	10,000*	79.2	209.0	10,000*	65
	70	72.4	210.3	10,000*	75.1	209.6	10,000*	77.8	207.4	10,000*	70
	75	71.0	208.7	10,000*	73.7	207.9	10,000*	76.3	205.7	10,000*	75
	80	69.6	206.9	10,000*	72.2	206.1	10,000*	74.9	203.9	10,000*	80
	90	66.7	202.8	10,000*	69.3	202.1	10,000*	71.9	199.8	10,000*	90
	100	63.7	198.2	10,000*	66.4	197.4	10,000*	68.9	195.0	10,000*	100
	110	60.7	192.8	10,000*	63.3	192.0	10,000*	65.8	189.6	10,000*	110
	120	57.5	186.8	10,000*	60.2	186.0	10,000*	62.6	183.5	10,000*	120
	130	54.3	180.0	10,000*	56.9	179.2	10,000*	59.3	176.6	10,000*	130
	140	50.9	172.3	10,000*	53.5	171.4	10,000*	55.9	168.7	10,000*	140
	150	47.3	163.6	10,000*	49.9	162.7	10,000*	52.2	159.8	10,000*	150
	160	43.6	153.7	10,000*	46.1	152.7	10,000*				160
	170	39.5	142.4	10,000*	42.0	141.3	10,000*				170
180	35.0	129.2	10,000*							180	
<b>160</b>	45	79.8	226.9	10,000*							45
	50	78.5	225.9	10,000*							50
	55	77.2	224.8	10,000*	79.8	224.1	10,000*				55
	60	75.9	223.6	10,000*	78.4	222.9	10,000*	81.0	220.7	10,000*	60
	65	74.5	222.3	10,000*	77.1	221.5	10,000*	79.7	219.3	10,000*	65
	70	73.2	220.8	10,000*	75.8	220.1	10,000*	78.3	217.9	10,000*	70
	75	71.9	219.2	10,000*	74.4	218.5	10,000*	77.0	216.2	10,000*	75
	80	70.5	217.5	10,000*	73.1	216.8	10,000*	75.6	214.5	10,000*	80
	90	67.8	213.7	10,000*	70.3	212.9	10,000*	72.8	210.6	10,000*	90
	100	65.0	209.3	10,000*	67.5	208.5	10,000*	70.0	206.1	10,000*	100
	110	62.1	204.2	10,000*	64.6	203.4	10,000*	67.1	201.0	10,000*	110
	120	59.1	198.6	10,000*	61.7	197.8	10,000*	64.1	195.3	10,000*	120
	130	56.1	192.2	10,000*	58.6	191.4	10,000*	61.0	188.8	10,000*	130
	140	52.9	185.1	10,000*	55.4	184.2	10,000*	57.7	181.5	10,000*	140
	150	49.7	177.0	10,000*	52.1	176.1	10,000*	54.4	173.3	10,000*	150
	160	46.2	167.9	10,000*	48.6	166.9	10,000*	50.8	164.0	10,000*	160
	170	42.5	157.7	10,000*	44.9	156.6	10,000*				170
	180	38.6	145.9	10,000*	41.0	144.8	10,000*				180
190	34.2	132.3	10,000*							190	



# LIFT CRANE JIB CAPACITIES

MEETS  
ANSI B30.5  
REQUIREMENTS

# 4100W SERIES 2

JIB NO. 123 WITH 12' 6" STRUT ON  
BOOM NO. 22C WITH OPEN THROAT TOP  
146,400 LB. CRANE COUNTERWEIGHT  
60,000 LB. CARBODY COUNTERWEIGHT  
26' 6" CRAWLERS EXTENDED

## 60 FOOT JIB

BOOM LGTH. FEET	JIB OPER. RAD. FEET	0 DEGREE OFFSET			10 DEGREE OFFSET			20 DEGREE OFFSET			JIB OPER. RAD. FEET
		BOOM ANG. DEG.	JIB POINT ELEV. FEET	CAPACITY POUNDS	BOOM ANG. DEG.	JIB POINT ELEV. FEET	CAPACITY POUNDS	BOOM ANG. DEG.	JIB POINT ELEV. FEET	CAPACITY POUNDS	
<b>170</b>	45	80.2	237.0	10,000*							45
	50	79.0	236.1	10,000*							50
	55	77.7	235.1	10,000*	80.2	234.3	10,000*				55
	60	76.5	233.9	10,000*	79.0	233.2	10,000*				60
	65	75.2	232.6	10,000*	77.7	231.9	10,000*	80.2	229.7	10,000*	65
	70	73.9	231.2	10,000*	76.4	230.5	10,000*	78.9	228.3	10,000*	70
	75	72.7	229.7	10,000*	75.1	229.0	10,000*	77.6	226.7	10,000*	75
	80	71.4	228.1	10,000*	73.8	227.3	10,000*	76.3	225.1	10,000*	80
	90	68.8	224.4	10,000*	71.2	223.7	10,000*	73.6	221.4	10,000*	90
	100	66.1	220.3	10,000*	68.5	219.5	10,000*	70.9	217.1	10,000*	100
	110	63.4	215.5	10,000*	65.8	214.7	10,000*	68.1	212.3	10,000*	110
	120	60.6	210.2	10,000*	63.0	209.3	10,000*	65.3	206.9	10,000*	120
	130	57.7	204.2	10,000*	60.1	203.3	10,000*	62.4	200.8	10,000*	130
	140	54.8	197.5	10,000*	57.2	196.6	10,000*	59.4	193.9	10,000*	140
	150	51.7	190.0	10,000*	54.1	189.0	10,000*	56.3	186.3	10,000*	150
	160	48.5	181.6	10,000*	50.9	180.6	10,000*	53.0	177.7	10,000*	160
	170	45.1	172.1	10,000*	47.5	171.1	10,000*				170
	180	41.6	161.5	10,000*	43.9	160.4	10,000*				180
	190	37.7	149.4	10,000*							190
	200	33.5	135.3	10,000*							200
<b>180</b>	45	80.6	247.2	10,000*							45
	50	79.5	246.3	10,000*							50
	55	78.3	245.3	10,000*	80.6	244.5	10,000*				55
	60	77.0	244.2	10,000*	79.4	243.4	10,000*				60
	65	75.8	243.0	10,000*	78.2	242.2	10,000*	80.6	240.0	10,000*	65
	70	74.6	241.6	10,000*	77.0	240.9	10,000*	79.3	238.6	10,000*	70
	75	73.4	240.2	10,000*	75.8	239.4	10,000*	78.1	237.2	10,000*	75
	80	72.2	238.6	10,000*	74.5	237.9	10,000*	76.8	235.6	10,000*	80
	90	69.7	235.1	10,000*	72.0	234.4	10,000*	74.3	232.0	10,000*	90
	100	67.1	231.2	10,000*	69.5	230.4	10,000*	71.8	228.0	10,000*	100
	110	64.6	226.7	10,000*	66.9	225.8	10,000*	69.1	223.4	10,000*	110
	120	61.9	221.6	10,000*	64.2	220.8	10,000*	66.5	218.3	10,000*	120
	130	59.2	215.9	10,000*	61.5	215.1	10,000*	63.7	212.5	10,000*	130
	140	56.4	209.6	10,000*	58.7	208.7	10,000*	60.9	206.1	10,000*	140
	150	53.6	202.6	10,000*	55.8	201.6	10,000*	57.9	198.9	10,000*	150
	160	50.6	194.7	10,000*	52.8	193.8	10,000*	54.9	190.9	10,000*	160
	170	47.4	186.0	10,000*	49.7	185.0	10,000*	51.7	182.0	10,000*	170
	180	44.1	176.2	10,000*	46.4	175.2	10,000*				180
	190	40.6	165.2	10,000*	42.9	164.1	10,000*				190
	200	36.9	152.7	10,000*							200
210	32.7	138.3	9,600							210	
<b>190</b>	45	81.0	257.3	10,000*							45
	50	79.9	256.5	10,000*							50
	55	78.7	255.5	10,000*	81.0	254.7	10,000*				55
	60	77.6	254.4	10,000*	79.8	253.7	10,000*				60
	65	76.4	253.3	10,000*	78.7	252.5	10,000*	81.0	250.2	10,000*	65
	70	75.2	252.0	10,000*	77.5	251.2	10,000*	79.8	248.9	10,000*	70
	75	74.1	250.6	10,000*	76.3	249.8	10,000*	78.6	247.5	10,000*	75
	80	72.9	249.1	10,000*	75.2	248.3	10,000*	77.4	246.0	10,000*	80
	90	70.5	245.8	10,000*	72.8	245.0	10,000*	75.0	242.7	10,000*	90
	100	68.1	242.0	10,000*	70.3	241.2	10,000*	72.5	238.8	10,000*	100
	110	65.6	237.7	10,000*	67.9	236.9	10,000*	70.0	234.4	10,000*	110
	120	63.1	232.9	10,000*	65.3	232.0	10,000*	67.5	229.6	10,000*	120
	130	60.6	227.5	10,000*	62.8	226.6	10,000*	64.9	224.1	10,000*	130
	140	57.9	221.5	10,000*	60.1	220.6	10,000*	62.2	218.0	10,000*	140
	150	55.2	214.9	10,000*	57.4	214.0	10,000*	59.4	211.3	10,000*	150
	160	52.4	207.5	10,000*	54.6	206.6	10,000*	56.6	203.8	10,000*	160
	170	49.5	199.4	10,000*	51.7	198.4	10,000*	53.6	195.5	10,000*	170
	180	46.4	190.3	10,000*	48.6	189.3	10,000*	50.5	186.2	10,000*	180
	190	43.2	180.2	10,000*	45.4	179.1	10,000*				190
	200	39.8	168.9	10,000*	41.9	167.7	10,000*				200
210	36.1	156.0	9,000							210	
220	32.1	141.2	7,900							220	



# LIFT CRANE JIB CAPACITIES

MEETS  
ANSI B30.5  
REQUIREMENTS

# 4100W SERIES 2

JIB NO. 123 WITH 12' 6" STRUT ON  
BOOM NO. 22C WITH OPEN THROAT TOP  
146,400 LB. CRANE COUNTERWEIGHT  
60,000 LB. CARBODY COUNTERWEIGHT  
26' 6" CRAWLERS EXTENDED

## 60 FOOT JIB

BOOM LGTH. FEET	JIB OPER. RAD. FEET	0 DEGREE OFFSET			10 DEGREE OFFSET			20 DEGREE OFFSET			JIB OPER. RAD. FEET
		BOOM ANG. DEG.	JIB POINT ELEV. FEET	CAPACITY POUNDS	BOOM ANG. DEG.	JIB POINT ELEV. FEET	CAPACITY POUNDS	BOOM ANG. DEG.	JIB POINT ELEV. FEET	CAPACITY POUNDS	
200	50	80.3	266.6	10,000*							50
	55	79.2	265.7	10,000*							55
	60	78.0	264.7	10,000*	80.2	263.9	10,000*				60
	65	76.9	263.6	10,000*	79.1	262.8	10,000*				65
	70	75.8	262.3	10,000*	78.0	261.6	10,000*	80.2	259.3	10,000*	70
	75	74.7	261.0	10,000*	76.9	260.2	10,000*	79.0	257.9	10,000*	75
	80	73.6	259.6	10,000*	75.7	258.8	10,000*	77.9	256.5	10,000*	80
	90	71.3	256.4	10,000*	73.4	255.6	10,000*	75.6	253.2	10,000*	90
	100	69.0	252.7	10,000*	71.1	251.9	10,000*	73.2	249.5	10,000*	100
	110	66.6	248.6	10,000*	68.8	247.8	10,000*	70.9	245.4	10,000*	110
	120	64.2	244.0	10,000*	66.4	243.2	10,000*	68.4	240.7	10,000*	120
	130	61.8	238.9	10,000*	63.9	238.1	10,000*	66.0	235.5	10,000*	130
	140	59.3	233.2	10,000*	61.4	232.4	10,000*	63.4	229.8	10,000*	140
	150	56.7	227.0	10,000*	58.8	226.1	10,000*	60.8	223.4	10,000*	150
	160	54.1	220.0	10,000*	56.2	219.1	10,000*	58.1	216.3	10,000*	160
	170	51.3	212.4	10,000*	53.4	211.4	10,000*	55.3	208.5	10,000*	170
	180	48.5	203.9	10,000*	50.6	202.9	10,000*	52.4	199.9	10,000*	180
	190	45.5	194.5	10,000*	47.6	193.5	10,000*				190
	200	42.4	184.1	9,600	44.4	183.0	10,000*				200
	210	39.0	172.4	8,400	41.0	171.2	8,800				210
	220	35.4	159.2	7,300							220
	230	31.4	144.0	6,200*							230
	210	50	80.6	276.8	10,000*						
55		79.6	275.9	10,000*							55
60		78.5	274.9	10,000*	80.6	274.1	10,000*				60
65		77.4	273.8	10,000*	79.5	273.0	10,000*				65
70		76.3	272.6	10,000*	78.4	271.9	10,000*	80.6	269.5	10,000*	70
75		75.3	271.4	10,000*	77.4	270.6	10,000*	79.5	268.2	10,000*	75
80		74.2	270.0	10,000*	76.3	269.2	10,000*	78.4	266.9	10,000*	80
90		72.0	266.9	10,000*	74.1	266.1	10,000*	76.1	263.8	10,000*	90
100		69.8	263.4	10,000*	71.9	262.6	10,000*	73.9	260.2	10,000*	100
110		67.5	259.5	10,000*	69.6	258.7	10,000*	71.6	256.2	10,000*	110
120		65.2	255.1	10,000*	67.3	254.3	10,000*	69.3	251.8	10,000*	120
130		62.9	250.2	10,000*	65.0	249.4	10,000*	66.9	246.8	10,000*	130
140		60.5	244.8	10,000*	62.6	243.9	10,000*	64.5	241.3	10,000*	140
150		58.1	238.8	10,000*	60.1	238.0	10,000*	62.0	235.3	10,000*	150
160		55.6	232.3	10,000*	57.6	231.4	10,000*	59.5	228.6	10,000*	160
170		53.0	225.1	10,000*	55.0	224.1	10,000*	56.9	221.3	10,000*	170
180		50.3	217.1	10,000*	52.3	216.1	10,000*	54.1	213.2	10,000*	180
190	47.5	208.4	10,000*	49.5	207.3	10,000*	51.3	204.2	10,000*	190	
200	44.6	198.7	9,200	46.6	197.6	9,700				200	
210	41.5	187.9	8,000	43.5	186.8	8,400				210	
220	38.3	175.9	6,800	40.2	174.7	7,300				220	
230	34.7	162.4	5,600*							230	
240	30.8	146.8	4,500*							240	
220	50	81.0	286.9	10,000*							50
	55	79.9	286.0	10,000*							55
	60	78.9	285.1	10,000*	80.9	284.3	10,000*				60
	65	77.9	284.1	10,000*	79.9	283.3	10,000*				65
	70	76.8	282.9	10,000*	78.9	282.1	10,000*	80.9	279.8	10,000*	70
	75	75.8	281.7	10,000*	77.8	280.9	10,000*	79.8	278.6	10,000*	75
	80	74.7	280.4	10,000*	76.8	279.6	10,000*	78.8	277.2	10,000*	80
	90	72.6	277.4	10,000*	74.7	276.6	10,000*	76.7	274.2	10,000*	90
	100	70.5	274.1	10,000*	72.5	273.3	10,000*	74.5	270.8	10,000*	100
	110	68.3	270.3	10,000*	70.4	269.5	10,000*	72.3	267.0	10,000*	110
	120	66.2	266.1	10,000*	68.2	265.3	10,000*	70.1	262.8	10,000*	120
	130	63.9	261.4	10,000*	65.9	260.6	10,000*	67.8	258.0	10,000*	130
	140	61.6	256.2	10,000*	63.6	255.4	10,000*	65.5	252.8	10,000*	140
	150	59.3	250.6	10,000*	61.3	249.7	10,000*	63.2	247.0	10,000*	150
	160	56.9	244.3	10,000*	58.9	243.4	10,000*	60.7	240.7	10,000*	160
	170	54.5	237.5	10,000*	56.5	236.5	10,000*	58.3	233.7	10,000*	170
	180	52.0	230.0	10,000*	53.9	229.0	10,000*	55.7	226.1	10,000*	180
190	49.3	221.7	10,000*	51.3	220.7	10,000*	53.0	217.7	10,000*	190	
200	46.6	212.7	8,600	48.5	211.6	9,200				200	
210	43.8	202.7	7,400	45.7	201.6	7,900				210	
220	40.8	191.7	6,100*	42.6	190.5	6,700*				220	
230	37.5	179.4	4,800*							230	



# LIFTCRANE JIB CAPACITIES

MEETS  
ANSI B30.5  
REQUIREMENTS

# 4100W SERIES 2

JIB NO. 123 WITH 12' 6" STRUT ON  
BOOM NO. 22C WITH OPEN THROAT TOP  
146,400 LB. CRANE COUNTERWEIGHT  
60,000 LB. CARBODY COUNTERWEIGHT  
26' 6" CRAWLERS EXTENDED

## 60 FOOT JIB

BOOM LGTH. FEET	JIB OPER. RAD. FEET	0 DEGREE OFFSET			10 DEGREE OFFSET			20 DEGREE OFFSET			JIB OPER. RAD. FEET
		BOOM ANG. DEG.	JIB POINT ELEV. FEET	CAPACITY POUNDS	BOOM ANG. DEG.	JIB POINT ELEV. FEET	CAPACITY POUNDS	BOOM ANG. DEG.	JIB POINT ELEV. FEET	CAPACITY POUNDS	
230	55	80.3	296.2	10,000*							55
	60	79.3	295.3	10,000*							60
	65	78.3	294.3	10,000*	80.3	293.5	10,000*				65
	70	77.3	293.2	10,000*	79.3	292.4	10,000*				70
	75	76.3	292.0	10,000*	78.2	291.2	10,000*	80.2	288.8	10,000*	75
	80	75.3	290.7	10,000*	77.2	289.9	10,000*	79.2	287.6	10,000*	80
	90	73.3	287.9	10,000*	75.2	287.1	10,000*	77.1	284.7	10,000*	90
	100	71.2	284.7	10,000*	73.1	283.9	10,000*	75.1	281.4	10,000*	100
	110	69.1	281.0	10,000*	71.1	280.2	10,000*	73.0	277.8	10,000*	110
	120	67.0	277.0	10,000*	69.0	276.2	10,000*	70.8	273.7	10,000*	120
	130	64.9	272.5	10,000*	66.8	271.7	10,000*	68.7	269.1	10,000*	130
	140	62.7	267.6	10,000*	64.6	266.7	10,000*	66.5	264.1	10,000*	140
	150	60.5	262.1	10,000*	62.4	261.2	10,000*	64.2	258.6	10,000*	150
	160	58.2	256.2	10,000*	60.1	255.3	10,000*	61.9	252.6	10,000*	160
	170	55.9	249.7	10,000*	57.8	248.7	10,000*	59.5	245.9	10,000*	170
	180	53.5	242.6	10,000*	55.4	241.6	10,000*	57.1	238.7	10,000*	180
	190	51.0	234.8	9,400	52.9	233.8	10,000*	54.6	230.8	10,000*	190
	200	48.4	226.3	8,000	50.3	225.2	8,700	52.0	222.2	9,200	200
	210	45.8	217.0	6,700*	47.6	215.9	7,300				210
	220	43.0	206.7	5,300*	44.8	205.6	6,000*				220
	230	40.0	195.4	4,000*	41.8	194.2	4,600*				230



# JIB LIFTING CAPACITIES

MEETS  
ANSI B30.5  
REQUIREMENTS

**4100W**  
**SERIES-2**

**JIB NO. 123 WITH 12'6" STRUT ON  
BOOM NO. 22C WITH OPEN THROAT TOP  
26'6" CRAWLERS — EXTENDED**

**0 DEGREE JIB OFFSET ANGLE**

Chart supplements boom capacity chart No. 6934-A. Capacities are for freely suspended loads based on tipping, strength of structural components or other factors. Crane operator judgment must be used to allow for dynamic load effects of swinging, hoisting or lowering, travel, as well as adverse operating conditions and physical machine depreciation.

Capacities do not exceed **75%** of a static tipping load with machine on firm level surface. Capacities based on structural competence are denoted by shaded areas. Operating radius is

the horizontal distance from the axis of rotation to the center of vertical hoist line or load block. Weight of all load blocks, hooks, weight ball, slings, hoist lines beneath boom and jib point sheaves, etc., including those on the main boom is considered part of the jib load. Boom and jib are not to be lowered beyond radii where combined weights are greater than rated capacity. Maximum capacity on 1-1/8" — 6x31 IPS, IWRC is 28,300 lbs./line. Refer to jib assembly No. 43730.

30 FOOT JIB	JIB POINT RADIUS: FEET	CAPACITIES IN POUNDS				JIB POINT RADIUS: FEET
		BOOM LENGTH — FEET				
		70	80	90	100	
60 *	40,000	40,000	40,000	40,000	60 *	
65	40,000	40,000	40,000	40,000	65	
70	40,000	40,000	40,000	40,000	70	
75	40,000	40,000	40,000	40,000	75	
80	39,900	40,000	40,000	40,000	80	
85	37,400	40,000	40,000	40,000	85	
90	35,200	38,600	40,000	40,000	90	
95		36,500	40,000	40,000	95	
100		34,600	39,300	40,000	100	
105			37,400	40,000	105	
110				38,300	110	
115				36,100	115	

40 FOOT JIB	JIB POINT RADIUS: FEET	CAPACITIES IN POUNDS				JIB POINT RADIUS: FEET
		BOOM LENGTH — FEET				
		70	80	90	100	
80 *	30,000	30,000	30,000	30,000	80 *	
85	30,000	30,000	30,000	30,000	85	
90	28,500	30,000	30,000	30,000	90	
95	26,900	29,400	30,000	30,000	95	
100	25,500	27,800	30,000	30,000	100	
105		26,400	29,700	30,000	105	
110		25,100	28,300	30,000	110	
115			27,100	29,000	115	
120				27,800	120	
125				26,700	125	

50 FOOT JIB	JIB POINT RADIUS: FEET	CAPACITIES IN POUNDS				JIB POINT RADIUS: FEET
		BOOM LENGTH — FEET				
		70	80	90	100	
100 *	20,000	20,000	20,000	20,000	100 *	
105	20,000	20,000	20,000	20,000	105	
110	19,800	20,000	20,000	20,000	110	
115		20,000	20,000	20,000	115	
120		19,500	20,000	20,000	120	
125			20,000	20,000	125	
130				20,000	130	
135				20,000	135	

60 FOOT JIB	JIB POINT RADIUS: FEET	CAPACITIES IN POUNDS				JIB POINT RADIUS: FEET
		BOOM LENGTH — FEET				
		70	80	90	100	
120 *	10,000	10,000	10,000	10,000	120 *	
125		10,000	10,000	10,000	125	
130			10,000	10,000	130	
135			10,000	10,000	135	
140				10,000	140	
145				10,000	145	

\* These capacities apply for ALL lesser radii obtainable.



# JIB LIFTING CAPACITIES

MEETS  
ANSI B30.5  
REQUIREMENTS

**4100W**  
**SERIES-2**

**JIB NO. 123 WITH 12'6" STRUT ON  
BOOM NO. 22C WITH OPEN THROAT TOP  
26'6" CRAWLERS — EXTENDED**

**10 DEGREE JIB OFFSET ANGLE**

Chart supplements boom capacity chart No. 6934-A. Capacities are for freely suspended loads based on tipping, strength of structural components or other factors. Crane operator judgment must be used to allow for dynamic load effects of swinging, hoisting or lowering, travel, as well as adverse operating conditions and physical machine depreciation.

Capacities do not exceed **75%** of a static tipping load with machine on firm level surface. Capacities based on structural competence are denoted by shaded areas. Operating radius is

the horizontal distance from the axis of rotation to the center of vertical hoist line or load block. Weight of all load blocks, hooks, weight ball, slings, hoist lines beneath boom and jib point sheaves, etc., including those on the main boom is considered part of the jib load. Boom and jib are not to be lowered beyond radii where combined weights are greater than rated capacity. Maximum capacity on 1-1/8" — 6x31 IPS, IWRC is 28,300 lbs./line. Refer to jib assembly No. 43730.

30 FOOT JIB	JIB POINT RADIUS: FEET	CAPACITIES IN POUNDS				JIB POINT RADIUS: FEET
		BOOM LENGTH — FEET				
		70	80	90	100	
	50 *	40,000	40,000	40,000	40,000	50 *
	55	40,000	40,000	40,000	40,000	55
	60	40,000	40,000	40,000	40,000	60
	65	40,000	40,000	40,000	40,000	65
	70	39,300	40,000	40,000	40,000	70
	75	37,100	40,000	40,000	40,000	75
	80	35,200	37,900	40,000	40,000	80
	85	33,500	36,100	39,800	40,000	85
	90		34,500	38,000	40,000	90
	95			36,500	38,500	95
	100			35,100	37,000	100
	105				35,700	105

40 FOOT JIB	JIB POINT RADIUS: FEET	CAPACITIES IN POUNDS				JIB POINT RADIUS: FEET
		BOOM LENGTH — FEET				
		70	80	90	100	
	70 *	30,000	30,000	30,000	30,000	70 *
	75	29,900	30,000	30,000	30,000	75
	80	28,300	30,000	30,000	30,000	80
	85	26,800	28,800	30,000	30,000	85
	90	25,800	27,400	30,000	30,000	90
	95		26,200	28,800	30,000	95
	100		25,100	27,600	29,100	100
	105			26,500	28,000	105
	110				27,000	110
	115				26,000	115

50 FOOT JIB	JIB POINT RADIUS: FEET	CAPACITIES IN POUNDS				JIB POINT RADIUS: FEET
		BOOM LENGTH — FEET				
		70	80	90	100	
	90 *	20,000	20,000	20,000	20,000	90 *
	95	20,000	20,000	20,000	20,000	95
	100	19,800	20,000	20,000	20,000	100
	105		20,000	20,000	20,000	105
	110		19,500	20,000	20,000	110
	115			20,000	20,000	115
	120				20,000	120
	125				20,000	125

60 FOOT JIB	JIB POINT RADIUS: FEET	CAPACITIES IN POUNDS				JIB POINT RADIUS: FEET
		BOOM LENGTH — FEET				
		70	80	90	100	
	110 *	10,000	10,000	10,000	10,000	110 *
	115		10,000	10,000	10,000	115
	120		10,000	10,000	10,000	120
	125			10,000	10,000	125
	130				10,000	130
	135				10,000	135

\* These capacities apply for ALL lesser radii obtainable.



# JIB LIFTING CAPACITIES

MEETS  
ANSI B30.5  
REQUIREMENTS

**4100W**  
**SERIES-2**

**JIB NO. 123 WITH 12'6" STRUT ON  
BOOM NO. 22C WITH OPEN THROAT TOP  
26'6" CRAWLERS — EXTENDED**

**20 DEGREE JIB OFFSET ANGLE**

Chart supplements boom capacity chart No. 6934-A. Capacities are for freely suspended loads based on tipping, strength of structural components or other factors. Crane operator judgment must be used to allow for dynamic load effects of swinging, hoisting or lowering, travel, as well as adverse operating conditions and physical machine depreciation.

Capacities do not exceed **75%** of a static tipping load with machine on firm level surface. Capacities based on structural competence are denoted by shaded areas. Operating radius is

the horizontal distance from the axis of rotation to the center of vertical hoist line or load block. Weight of all load blocks, hooks, weight ball, slings, hoist lines beneath boom and jib point sheaves, etc., including those on the main boom is considered part of the jib load. Boom and jib are not to be lowered beyond radii where combined weights are greater than rated capacity. Maximum capacity on 1-1/8" — 6x31 IPS, IWRC is 28,300 lbs./line. Refer to jib assembly No. 43730.

30 FOOT JIB	JIB POINT RADIUS: FEET	CAPACITIES IN POUNDS				JIB POINT RADIUS: FEET
		BOOM LENGTH — FEET				
		70	80	90	100	
	35	40,000	40,000	40,000	40,000	35
	40	40,000	40,000	40,000	40,000	40
	45	40,000	40,000	40,000	40,000	45
	50	40,000	40,000	40,000	40,000	50
	55	39,400	40,000	40,000	40,000	55
	60	37,200	39,400	40,000	40,000	60
	65	35,300	37,500	40,000	40,000	65
	70	33,600	35,700	38,300	39,800	70
	75	32,200	34,200	36,800	38,200	75
	80		32,800	35,400	36,800	80
	85			34,100	35,500	85
	90				34,300	90

40 FOOT JIB	JIB POINT RADIUS: FEET	CAPACITIES IN POUNDS				JIB POINT RADIUS: FEET
		BOOM LENGTH — FEET				
		70	80	90	100	
	55 *	30,000	30,000	30,000	30,000	55 *
	60	29,800	30,000	30,000	30,000	60
	65	28,200	29,800	30,000	30,000	65
	70	26,800	28,400	30,000	30,000	70
	75	25,600	27,100	28,800	29,800	75
	80	24,500	25,900	27,600	28,600	80
	85	23,500	24,900	26,600	27,600	85
	90		24,000	25,700	26,600	90
	95			24,800	25,800	95
	100				25,000	100

50 FOOT JIB	JIB POINT RADIUS: FEET	CAPACITIES IN POUNDS				JIB POINT RADIUS: FEET
		BOOM LENGTH — FEET				
		70	80	90	100	
	75 *	20,000	20,000	20,000	20,000	75 *
	80	20,000	20,000	20,000	20,000	80
	85	19,700	20,000	20,000	20,000	85
	90	18,900	20,000	20,000	20,000	90
	95	18,200	19,300	20,000	20,000	95
	100		18,600	20,000	20,000	100
	105			19,500	20,000	105
	110				19,600	110

60 FOOT JIB	JIB POINT RADIUS: FEET	CAPACITIES IN POUNDS				JIB POINT RADIUS: FEET
		BOOM LENGTH — FEET				
		70	80	90	100	
	95 *	10,000	10,000	10,000	10,000	95 *
	100	10,000	10,000	10,000	10,000	100
	105		10,000	10,000	10,000	105
	110		10,000	10,000	10,000	110
	115			10,000	10,000	115
	120				10,000	120

\* These capacities apply for ALL lesser radii obtainable.



# LIFT CRANE JIB CAPACITIES

MEETS  
ANSI B30.5  
REQUIREMENTS

# 4100W SERIES 2

**JIB NO. 123 WITH 12' 6" STRUT ON  
BOOM NO. 22C WITH OPEN THROAT TOP  
OFFSET 4-1/2 DEGREES - 146,400 LB. CRANE COUNTERWEIGHT  
60,000 LB. CARBODY COUNTERWEIGHT  
26' 6" CRAWLERS EXTENDED**

CHART SUPPLEMENTS BOOM CAPACITY CHART NO. 6934-B. CAPACITIES FOR VARIOUS BOOM LENGTHS, JIB LENGTHS AND JIB OPERATING RADII ARE FOR FREELY SUSPENDED LOADS AND DO NOT EXCEED 75% OF A STATIC TIPPING LOAD. CAPACITIES BASED ON STRUCTURAL COMPETENCE ARE DENOTED BY AN ASTERISK (\*).

WEIGHT OF ALL LOAD BLOCKS, HOOKS, WEIGHT BALL, SLINGS, HOIST LINES, ETC., BENEATH BOOM AND JIB POINT SHEAVES, IS CONSIDERED PART OF THE JIB LOAD. BOOM AND JIB ARE NOT TO BE LOWERED BEYOND RADII WHERE COMBINED WEIGHTS ARE GREATER THAN RATED CAPACITY. WHERE NO CAPACITY IS SHOWN, OPERATION IS NOT INTENDED OR APPROVED.

MACHINE TO OPERATE IN A LEVEL POSITION ON A FIRM SURFACE WITH CRAWLERS FULLY EXTENDED AND GANTRY UP. REFER TO BOOM RIGGING NO. 190693, JIB ASSEMBLY NO. 43730 AND WIRE ROPE SPECIFICATION CHART NO. 6592-A. CRANE OPERATOR JUDGMENT MUST BE USED TO ALLOW FOR DYNAMIC LOAD EFFECTS OF SWINGING, HOISTING OR LOWERING, TRAVEL, WIND CONDITIONS, AS WELL AS ADVERSE OPERATING CONDITIONS AND PHYSICAL MACHINE DEPRECIATION.

OPERATING RADIUS IS THE HORIZONTAL DISTANCE FROM THE AXIS OF ROTATION TO THE CENTER OF VERTICAL HOIST LINE OR LOAD BLOCK. BOOM ANGLE IS THE ANGLE BETWEEN HORIZONTAL AND CENTERLINE OF BOOM BUTT AND INSERTS AND IS AN INDICATION OF OPERATING RADIUS. IN ALL CASES, OPERATING RADIUS SHALL GOVERN CAPACITY. JIB POINT ELEVATION IS VERTICAL DISTANCE FROM GROUND LEVEL TO CENTERLINE OF JIB POINT SHAFT.

MACHINE EQUIPPED WITH 26' 6" EXTENDIBLE CRAWLERS, 48" TREADS, 17' RETRACTABLE GANTRY, 12 PART BOOM HOIST REEVING, FOUR 1-3/8" BOOM PENDANTS, 1ST CWT. = 41,900 LBS., 2ND CWT. = 41,500 LBS., 3RD CWT. = 39,000 LBS., TWO 12,000 LB. SIDE CWTs. AND TWO 30,000 LB. CARBODY CWTs.

MAXIMUM CAPACITY ON 1-1/8" - 6 X 31 IPS, IWRC IS 28,300 LBS. PER LINE.

MAXIMUM BOOM AND JIB LENGTHS LIFTED UNASSISTED			
OVER END OF CRAWLERS		OVER SIDE OF EXTENDED CRAWLERS	
BM. LGTH.	JIB NO. 123	BM. LGTH.	JIB NO. 123
260'	---	260'	---
250'	---	250'	---
240'	40'	240'	40'
230'	60'	230'	60'

LOAD BLOCK, HOOK AND WEIGHT BALL ON GROUND AT START.

## 30 FOOT JIB

BOOM LGTH. FEET	JIB OPER. RAD. FEET	0 DEGREE OFFSET			10 DEGREE OFFSET			20 DEGREE OFFSET			JIB OPER. RAD. FEET
		BOOM ANG. DEG.	JIB POINT ELEV. FEET	CAPACITY POUNDS	BOOM ANG. DEG.	JIB POINT ELEV. FEET	CAPACITY POUNDS	BOOM ANG. DEG.	JIB POINT ELEV. FEET	CAPACITY POUNDS	
<b>110</b>	35	80.2	147.3	40,000*							35
	40	78.2	146.1	40,000*	80.2	145.4	40,000*				40
	45	76.1	144.7	40,000*	78.1	144.0	40,000*	80.0	142.5	40,000*	45
	50	74.0	143.1	40,000*	76.0	142.4	40,000*	77.9	140.9	40,000*	50
	55	71.9	141.3	40,000*	73.8	140.6	40,000*	75.7	139.1	40,000*	55
	60	69.7	139.3	40,000*	71.7	138.6	40,000*	73.5	137.0	40,000*	60
	65	67.6	137.0	40,000*	69.5	136.3	40,000*	71.3	134.8	40,000*	65
	70	65.3	134.6	40,000*	67.3	133.8	40,000*	69.0	132.2	38,800*	70
	75	63.1	131.9	40,000*	65.0	131.1	40,000*	66.7	129.5	37,500*	75
	80	60.7	128.9	40,000*	62.6	128.1	40,000*	64.3	126.4	36,200*	80
	90	55.9	122.0	40,000*	57.8	121.2	40,000*	59.4	119.5	34,100*	90
	100	50.7	113.8	40,000*	52.6	113.0	37,500*				100
110	45.1	103.9	36,400	46.9	103.0	35,100*				110	
120	38.8	91.7	32,100							120	
<b>120</b>	40	79.0	156.4	40,000*							40
	45	77.0	155.1	40,000*	78.9	154.4	40,000*				45
	50	75.1	153.6	40,000*	76.9	152.9	40,000*	78.7	151.4	40,000*	50
	55	73.1	151.9	40,000*	75.0	151.2	40,000*	76.7	149.7	40,000*	55
	60	71.1	150.1	40,000*	73.0	149.3	40,000*	74.7	147.8	40,000*	60
	65	69.1	148.0	40,000*	70.9	147.3	40,000*	72.6	145.7	40,000*	65
	70	67.1	145.7	40,000*	68.9	145.0	40,000*	70.5	143.4	39,800*	70
	75	65.0	143.2	40,000*	66.8	142.5	40,000*	68.4	140.8	38,400*	75
	80	62.9	140.5	40,000*	64.6	139.7	40,000*	66.3	138.1	37,200*	80
	90	58.5	134.3	40,000*	60.2	133.5	40,000*	61.8	131.7	35,000*	90
	100	53.8	126.9	40,000*	55.6	126.1	39,000*	57.0	124.2	33,200*	100
	110	48.9	118.2	35,800	50.6	117.3	36,100				110
120	43.5	107.7	31,500							120	
130	37.4	94.9	27,900							130	



# LIFT CRANE JIB CAPACITIES

MEETS  
ANSI B30.5  
REQUIREMENTS

# 4100W SERIES 2

JIB NO. 123 WITH 12' 6" STRUT ON  
BOOM NO. 22C WITH OPEN THROAT TOP  
OFFSET 4-1/2 DEGREES - 146,400 LB. CRANE COUNTERWEIGHT  
60,000 LB. CARBODY COUNTERWEIGHT  
26' 6" CRAWLERS EXTENDED

## 30 FOOT JIB

BOOM LGTH. FEET	JIB OPER. RAD. FEET	0 DEGREE OFFSET			10 DEGREE OFFSET			20 DEGREE OFFSET			JIB OPER. RAD. FEET
		BOOM ANG. DEG.	JIB POINT ELEV. FEET	CAPACITY POUNDS	BOOM ANG. DEG.	JIB POINT ELEV. FEET	CAPACITY POUNDS	BOOM ANG. DEG.	JIB POINT ELEV. FEET	CAPACITY POUNDS	
<b>130</b>	40	79.6	166.6	40,000*							40
	45	77.8	165.4	40,000*	79.6	164.7	40,000*				45
	50	76.0	164.0	40,000*	77.8	163.3	40,000*	79.4	161.8	40,000*	50
	55	74.2	162.5	40,000*	75.9	161.7	40,000*	77.6	160.2	40,000*	55
	60	72.3	160.7	40,000*	74.1	160.0	40,000*	75.7	158.4	40,000*	60
	65	70.5	158.8	40,000*	72.2	158.1	40,000*	73.8	156.5	40,000*	65
	70	68.6	156.7	40,000*	70.3	156.0	40,000*	71.8	154.3	40,000*	70
	75	66.6	154.4	40,000*	68.3	153.6	40,000*	69.9	152.0	39,300*	75
	80	64.7	151.9	40,000*	66.4	151.1	40,000*	67.9	149.4	38,100*	80
	90	60.6	146.2	40,000*	62.3	145.4	40,000*	63.8	143.6	35,900*	90
	100	56.4	139.5	40,000*	58.1	138.6	40,000*	59.5	136.8	34,100*	100
	110	52.0	131.6	35,400	53.6	130.7	35,800				110
	120	47.2	122.4	31,100	48.8	121.4	31,400				120
130	42.0	111.4	27,500							130	
<b>140</b>	40	80.3	176.8	40,000*							40
	45	78.6	175.7	40,000*	80.2	175.0	40,000*				45
	50	76.9	174.4	40,000*	78.5	173.7	40,000*	80.1	172.1	40,000*	50
	55	75.1	173.0	40,000*	76.8	172.2	40,000*	78.3	170.6	40,000*	55
	60	73.4	171.3	40,000*	75.0	170.6	40,000*	76.6	169.0	40,000*	60
	65	71.7	169.5	40,000*	73.3	168.8	40,000*	74.8	167.2	40,000*	65
	70	69.9	167.6	40,000*	71.5	166.8	40,000*	73.0	165.2	40,000*	70
	75	68.1	165.4	40,000*	69.7	164.6	40,000*	71.2	163.0	40,000*	75
	80	66.3	163.1	40,000*	67.8	162.3	40,000*	69.3	160.6	38,900*	80
	90	62.5	157.8	40,000*	64.1	157.0	40,000*	65.5	155.3	36,800*	90
	100	58.7	151.7	39,900	60.2	150.8	40,000*	61.6	149.0	34,900*	100
	110	54.6	144.5	34,700	56.1	143.6	35,200	57.4	141.7	33,300*	110
	120	50.3	136.2	30,500	51.8	135.2	30,800				120
130	45.7	126.4	26,900	47.1	125.4	27,200				130	
140	40.7	114.9	23,900							140	
<b>150</b>	45	79.2	186.0	40,000*							45
	50	77.6	184.7	40,000*	79.1	184.0	40,000*				50
	55	76.0	183.4	40,000*	77.5	182.6	40,000*	79.0	181.0	40,000*	55
	60	74.3	181.9	40,000*	75.9	181.1	40,000*	77.3	179.5	40,000*	60
	65	72.7	180.2	40,000*	74.2	179.4	40,000*	75.7	177.8	40,000*	65
	70	71.0	178.3	40,000*	72.5	177.5	40,000*	74.0	175.9	40,000*	70
	75	69.4	176.3	40,000*	70.9	175.5	40,000*	72.3	173.9	40,000*	75
	80	67.7	174.1	40,000*	69.1	173.3	40,000*	70.5	171.7	39,700*	80
	90	64.2	169.2	40,000*	65.7	168.4	40,000*	67.0	166.7	37,600*	90
	100	60.6	163.5	39,400	62.0	162.6	40,000*	63.4	160.9	35,700*	100
	110	56.8	156.9	34,200	58.3	156.0	34,700	59.5	154.1	34,100*	110
	120	52.9	149.3	29,900	54.3	148.4	30,300				120
	130	48.8	140.5	26,400	50.2	139.5	26,700				130
140	44.3	130.3	23,300							140	
150	39.4	118.3	20,700							150	
<b>160</b>	45	79.8	196.2	40,000*							45
	50	78.2	195.1	40,000*	79.7	194.3	40,000*				50
	55	76.7	193.8	40,000*	78.2	193.0	40,000*	79.6	191.4	40,000*	55
	60	75.2	192.3	40,000*	76.6	191.5	40,000*	78.0	189.9	40,000*	60
	65	73.6	190.7	40,000*	75.1	190.0	40,000*	76.4	188.3	40,000*	65
	70	72.1	189.0	40,000*	73.5	188.2	40,000*	74.9	186.6	40,000*	70
	75	70.5	187.1	40,000*	71.9	186.3	40,000*	73.3	184.7	40,000*	75
	80	68.9	185.1	40,000*	70.3	184.2	40,000*	71.6	182.6	40,000*	80
	90	65.6	180.4	40,000*	67.0	179.6	40,000*	68.3	177.9	38,300*	90
	100	62.3	175.1	38,800	63.7	174.3	39,400	64.9	172.5	36,400*	100
	110	58.8	169.0	33,600	60.2	168.1	34,100	61.4	166.3	34,600	110
	120	55.2	162.0	29,300	56.5	161.1	29,800	57.7	159.1	30,200	120
	130	51.4	154.0	25,700	52.7	153.0	26,100				130
140	47.4	144.8	22,700	48.7	143.7	23,000				140	
150	43.0	134.1	20,100							150	
160	38.3	121.6	17,800							160	



# LIFT CRANE JIB CAPACITIES

MEETS  
ANSI B30.5  
REQUIREMENTS

# 4100W SERIES 2

JIB NO. 123 WITH 12' 6" STRUT ON  
BOOM NO. 22C WITH OPEN THROAT TOP  
OFFSET 4-1/2 DEGREES - 146,400 LB. CRANE COUNTERWEIGHT  
60,000 LB. CARBODY COUNTERWEIGHT  
26' 6" CRAWLERS EXTENDED

## 30 FOOT JIB

BOOM LGTH. FEET	JIB OPER. RAD. FEET	0 DEGREE OFFSET			10 DEGREE OFFSET			20 DEGREE OFFSET			JIB OPER. RAD. FEET
		BOOM ANG. DEG.	JIB POINT ELEV. FEET	CAPACITY POUNDS	BOOM ANG. DEG.	JIB POINT ELEV. FEET	CAPACITY POUNDS	BOOM ANG. DEG.	JIB POINT ELEV. FEET	CAPACITY POUNDS	
<b>170</b>	45	80.3	206.4	40,000*							45
	50	78.8	205.3	40,000*	80.2	204.6	40,000*				50
	55	77.4	204.1	40,000*	78.8	203.3	40,000*	80.1	201.7	40,000*	55
	60	75.9	202.7	40,000*	77.3	202.0	40,000*	78.6	200.3	40,000*	60
	65	74.5	201.2	40,000*	75.8	200.4	40,000*	77.1	198.8	40,000*	65
	70	73.0	199.6	40,000*	74.4	198.8	40,000*	75.6	197.1	40,000*	70
	75	71.5	197.8	40,000*	72.9	197.0	40,000*	74.1	195.3	40,000*	75
	80	70.0	195.9	40,000*	71.3	195.1	40,000*	72.6	193.4	40,000*	80
	90	66.9	191.5	40,000*	68.3	190.7	40,000*	69.5	189.0	39,000*	90
	100	63.8	186.5	38,500	65.1	185.7	39,100	66.3	183.9	37,100*	100
	110	60.5	180.8	33,200	61.8	179.9	33,800	63.0	178.1	34,300	110
	120	57.2	174.3	29,000	58.5	173.4	29,400	59.6	171.5	29,900	120
	130	53.7	166.9	25,400	54.9	166.0	25,800				130
	140	50.0	158.5	22,400	51.2	157.5	22,700				140
	150	46.1	148.9	19,700	47.3	147.8	20,000				150
	160	41.9	137.8	17,500							160
	170	37.3	124.9	15,500							170
<b>180</b>	50	79.4	215.6	40,000*							50
	55	78.0	214.4	40,000*	79.3	213.6	40,000*	80.6	212.0	40,000*	55
	60	76.6	213.1	40,000*	77.9	212.3	40,000*	79.2	210.7	40,000*	60
	65	75.2	211.7	40,000*	76.5	210.9	40,000*	77.8	209.2	40,000*	65
	70	73.8	210.1	40,000*	75.1	209.3	40,000*	76.4	207.7	40,000*	70
	75	72.4	208.4	40,000*	73.7	207.6	40,000*	74.9	206.0	40,000*	75
	80	71.0	206.6	40,000*	72.3	205.8	40,000*	73.5	204.1	40,000*	80
	90	68.1	202.5	40,000*	69.3	201.7	40,000*	70.5	199.9	39,700*	90
	100	65.1	197.8	37,900	66.4	196.9	38,600	67.5	195.2	37,800*	100
	110	62.1	192.4	32,700	63.3	191.5	33,200	64.4	189.7	33,800	110
	120	58.9	186.3	28,400	60.2	185.4	28,900	61.3	183.5	29,300	120
	130	55.7	179.5	24,800	56.9	178.5	25,200	57.9	176.6	25,600	130
	140	52.3	171.7	21,800	53.5	170.7	22,100				140
	150	48.7	162.9	19,100	49.9	161.8	19,500				150
160	44.9	152.9	16,900							160	
170	40.8	141.4	14,900							170	
<b>190</b>	50	79.9	225.8	40,000*							50
	55	78.5	224.7	40,000*	79.8	223.9	40,000*				55
	60	77.2	223.5	40,000*	78.5	222.7	40,000*	79.7	221.0	40,000*	60
	65	75.9	222.1	40,000*	77.2	221.3	40,000*	78.3	219.6	40,000*	65
	70	74.6	220.6	40,000*	75.8	219.8	40,000*	77.0	218.1	40,000*	70
	75	73.2	219.0	40,000*	74.5	218.2	40,000*	75.6	216.5	40,000*	75
	80	71.9	217.3	40,000*	73.1	216.4	40,000*	74.3	214.7	40,000*	80
	90	69.1	213.4	40,000*	70.3	212.5	40,000*	71.5	210.8	40,000*	90
	100	66.3	208.9	37,400	67.5	208.1	38,100	68.6	206.3	38,500*	100
	110	63.4	203.9	32,100	64.6	203.0	32,700	65.7	201.2	33,300	110
	120	60.5	198.1	27,800	61.7	197.2	28,400	62.7	195.4	28,900	120
	130	57.4	191.7	24,300	58.6	190.8	24,700	59.6	188.8	25,200	130
	140	54.3	184.5	21,200	55.4	183.5	21,600				140
	150	51.0	176.3	18,600	52.1	175.3	19,000				150
160	47.5	167.2	16,300	48.6	166.1	16,700				160	
170	43.8	156.8	14,400							170	
180	39.8	144.9	12,600							180	



# LIFT CRANE JIB CAPACITIES

MEETS  
ANSI B30.5  
REQUIREMENTS

# 4100W SERIES 2

JIB NO. 123 WITH 12' 6" STRUT ON  
BOOM NO. 22C WITH OPEN THROAT TOP  
OFFSET 4-1/2 DEGREES - 146,400 LB. CRANE COUNTERWEIGHT  
60,000 LB. CARBODY COUNTERWEIGHT  
26' 6" CRAWLERS EXTENDED

## 30 FOOT JIB

BOOM LGTH. FEET	JIB OPER. RAD. FEET	0 DEGREE OFFSET			10 DEGREE OFFSET			20 DEGREE OFFSET			JIB OPER. RAD. FEET
		BOOM ANG. DEG.	JIB POINT ELEV. FEET	CAPACITY POUNDS	BOOM ANG. DEG.	JIB POINT ELEV. FEET	CAPACITY POUNDS	BOOM ANG. DEG.	JIB POINT ELEV. FEET	CAPACITY POUNDS	
200	50	80.3	236.0	40,000*							50
	55	79.0	234.9	40,000*	80.3	234.1	40,000*				55
	60	77.8	233.8	40,000*	79.0	233.0	40,000*	80.1	231.3	40,000*	60
	65	76.5	232.5	40,000*	77.7	231.7	40,000*	78.9	230.0	40,000*	65
	70	75.2	231.1	40,000*	76.4	230.2	40,000*	77.6	228.6	40,000*	70
	75	74.0	229.5	40,000*	75.2	228.7	40,000*	76.3	227.0	40,000*	75
	80	72.7	227.9	40,000*	73.9	227.0	40,000*	75.0	225.3	40,000*	80
	90	70.0	224.2	40,000*	71.2	223.3	40,000*	72.3	221.6	40,000*	90
	100	67.4	219.9	36,800	68.6	219.1	37,500	69.6	217.3	38,200	100
	110	64.7	215.1	31,500	65.8	214.3	32,200	66.9	212.5	32,800	110
	120	61.9	209.7	27,200	63.0	208.8	27,800	64.0	207.0	28,400	120
	130	59.0	203.7	23,700	60.1	202.7	24,200	61.1	200.8	24,600	130
	140	56.0	196.9	20,600	57.2	195.9	21,100	58.1	194.0	21,500	140
	150	53.0	189.3	18,000	54.1	188.3	18,400				150
	160	49.7	180.8	15,700	50.8	179.8	16,100				160
	170	46.4	171.3	13,800	47.4	170.2	14,100				170
	180	42.8	160.6	12,000							180
	190	38.9	148.3	10,400							190
	210	55	79.5	245.2	40,000*	80.7	244.4	40,000*			
60		78.3	244.1	40,000*	79.5	243.2	40,000*	80.6	241.6	40,000*	60
65		77.1	242.8	40,000*	78.2	242.0	40,000*	79.3	240.3	40,000*	65
70		75.9	241.5	40,000*	77.0	240.6	40,000*	78.1	239.0	40,000*	70
75		74.6	240.0	40,000*	75.8	239.2	40,000*	76.9	237.5	40,000*	75
80		73.4	238.4	40,000*	74.5	237.6	40,000*	75.6	235.9	40,000*	80
90		70.9	234.9	40,000*	72.0	234.0	40,000*	73.1	232.3	40,000*	90
100		68.4	230.9	36,400	69.5	230.0	37,200	70.5	228.2	37,900	100
110		65.8	226.3	31,200	66.9	225.4	31,800	67.9	223.6	32,500	110
120		63.1	221.2	26,900	64.2	220.3	27,500	65.2	218.4	28,000	120
130		60.4	215.5	23,300	61.5	214.5	23,800	62.5	212.6	24,300	130
140		57.6	209.1	20,200	58.7	208.1	20,700	59.7	206.2	21,100	140
150		54.8	202.0	17,600	55.8	201.0	18,000				150
160	51.8	194.1	15,400	52.8	193.0	15,700				160	
170	48.6	185.2	13,400	49.7	184.2	13,700				170	
180	45.3	175.4	11,600							180	
190	41.8	164.3	10,000							190	
200	38.0	151.6	8,600							200	
220	55	79.9	255.4	40,000*							55
	60	78.8	254.3	40,000*	79.9	253.5	40,000*				60
	65	77.6	253.1	40,000*	78.7	252.3	40,000*	79.8	250.6	40,000*	65
	70	76.4	251.8	40,000*	77.5	251.0	40,000*	78.6	249.3	40,000*	70
	75	75.3	250.4	40,000*	76.4	249.6	40,000*	77.4	247.9	40,000*	75
	80	74.1	248.9	40,000*	75.2	248.1	40,000*	76.2	246.4	40,000*	80
	90	71.7	245.5	40,000*	72.8	244.7	40,000*	73.8	243.0	40,000*	90
	100	69.3	241.7	35,800	70.4	240.8	36,700	71.4	239.1	37,400	100
	110	66.8	237.4	30,600	67.9	236.5	31,300	68.9	234.7	32,000	110
	120	64.3	232.5	26,300	65.4	231.6	26,900	66.3	229.7	27,500	120
	130	61.7	227.1	22,700	62.8	226.1	23,300	63.7	224.2	23,800	130
	140	59.1	221.0	19,700	60.1	220.1	20,200	61.0	218.1	20,600	140
	150	56.4	214.3	17,000	57.4	213.3	17,500	58.3	211.3	17,900	150
160	53.6	206.9	14,800	54.6	205.9	15,200				160	
170	50.6	198.7	12,800	51.6	197.6	13,100				170	
180	47.6	189.5	11,000	48.5	188.4	11,300				180	
190	44.3	179.3	9,500							190	
200	40.9	167.9	8,000*							200	
210	37.2	154.9	6,500*							210	



# LIFT CRANE JIB CAPACITIES

MEETS  
ANSI B30.5  
REQUIREMENTS

# 4100W SERIES 2

JIB NO. 123 WITH 12' 6" STRUT ON  
BOOM NO. 22C WITH OPEN THROAT TOP  
OFFSET 4-1/2 DEGREES - 146,400 LB. CRANE COUNTERWEIGHT  
60,000 LB. CARBODY COUNTERWEIGHT  
26' 6" CRAWLERS EXTENDED

## 30 FOOT JIB

BOOM LGTH. FEET	JIB OPER. RAD. FEET	0 DEGREE OFFSET			10 DEGREE OFFSET			20 DEGREE OFFSET			JIB OPER. RAD. FEET	
		BOOM ANG. DEG.	JIB POINT ELEV. FEET	CAPACITY POUNDS	BOOM ANG. DEG.	JIB POINT ELEV. FEET	CAPACITY POUNDS	BOOM ANG. DEG.	JIB POINT ELEV. FEET	CAPACITY POUNDS		
<b>230</b>	55	80.3	265.6	40,000*							55	
	60	79.2	264.5	40,000*	80.3	263.7	40,000*				60	
	65	78.1	263.4	40,000*	79.2	262.6	40,000*	80.2	260.9	40,000*	65	
	70	77.0	262.2	40,000*	78.0	261.3	40,000*	79.0	259.6	40,000*	70	
	75	75.8	260.8	40,000*	76.9	260.0	40,000*	77.9	258.3	40,000*	75	
	80	74.7	259.4	40,000*	75.8	258.5	40,000*	76.8	256.8	40,000*	80	
	90	72.4	256.1	40,000*	73.5	255.3	40,000*	74.5	253.5	40,000*	90	
	100	70.1	252.5	35,300	71.1	251.6	36,200	72.1	249.8	37,000	100	
	110	67.8	248.3	30,100	68.8	247.4	30,800	69.7	245.6	31,500	110	
	120	65.4	243.7	25,800	66.4	242.8	26,400	67.3	240.9	27,000	120	
	130	62.9	238.5	22,200	63.9	237.6	22,800	64.8	235.7	23,300	130	
	140	60.4	232.8	19,100	61.4	231.8	19,700	62.3	229.9	20,100	140	
	150	57.8	226.4	16,500	58.8	225.5	17,000	59.7	223.5	17,400	150	
	160	55.2	219.4	14,200	56.2	218.4	14,700	57.0	216.4	15,000	160	
	170	52.4	211.7	12,200	53.4	210.7	12,600				170	
	180	49.6	203.2	10,500	50.5	202.1	10,800				180	
	190	46.6	193.7	8,900	47.5	192.6	9,200				190	
	200	43.4	183.2	7,300*							200	
	210	40.1	171.4	5,800*							210	
	<b>240</b>	55	80.7	275.8	40,000*							55
		60	79.6	274.8	40,000*	80.6	273.9	40,000*				60
65		78.5	273.7	40,000*	79.6	272.8	40,000*	80.5	271.1	40,000*	65	
70		77.5	272.5	40,000*	78.5	271.6	40,000*	79.5	269.9	40,000*	70	
75		76.4	271.2	40,000*	77.4	270.3	40,000*	78.4	268.6	40,000*	75	
80		75.3	269.8	40,000*	76.3	268.9	40,000*	77.3	267.2	40,000*	80	
90		73.1	266.7	40,000*	74.1	265.8	40,000*	75.1	264.1	40,000*	90	
100		70.9	263.2	34,800	71.9	262.3	35,700	72.8	260.5	36,500	100	
110		68.6	259.2	29,600	69.6	258.3	30,300	70.5	256.5	31,100	110	
120		66.3	254.8	25,300	67.3	253.9	25,900	68.2	252.0	26,600	120	
130		64.0	249.8	21,600	65.0	248.9	22,300	65.9	247.0	22,800	130	
140		61.6	244.4	18,600	62.6	243.4	19,200	63.4	241.5	19,600	140	
150		59.2	238.3	16,000	60.1	237.4	16,500	61.0	235.4	16,900	150	
160		56.6	231.7	13,700	57.6	230.7	14,100	58.4	228.7	14,500	160	
170		54.1	224.4	11,700	55.0	223.4	12,100				170	
180		51.4	216.4	9,900	52.3	215.4	10,300				180	
190		48.6	207.6	8,300*	49.5	206.5	8,700*				190	
200		45.6	197.8	6,600*	46.5	196.7	7,000*				200	
210		42.6	187.0	5,000*							210	



# LIFT CRANE JIB CAPACITIES

MEETS  
ANSI B30.5  
REQUIREMENTS

# 4100W SERIES 2

JIB NO. 123 WITH 12'6" STRUT ON  
BOOM NO. 22C WITH OPEN THROAT TOP  
OFFSET 4-1/2 DEGREES - 146,400 LB. CRANE COUNTERWEIGHT  
60,000 LB. CARBODY COUNTERWEIGHT  
26'6" CRAWLERS EXTENDED

## 40 FOOT JIB

BOOM LGTH. FEET	JIB OPER. RAD. FEET	0 DEGREE OFFSET			10 DEGREE OFFSET			20 DEGREE OFFSET			JIB OPER. RAD. FEET
		BOOM ANG. DEG.	JIB POINT ELEV. FEET	CAPACITY POUNDS	BOOM ANG. DEG.	JIB POINT ELEV. FEET	CAPACITY POUNDS	BOOM ANG. DEG.	JIB POINT ELEV. FEET	CAPACITY POUNDS	
<b>110</b>	40	79.5	156.3	30,000*							40
	45	77.5	155.0	30,000*	80.0	154.1	30,000*				45
	50	75.6	153.6	30,000*	78.0	152.7	30,000*	80.5	150.8	30,000*	50
	55	73.6	151.9	30,000*	76.1	151.0	30,000*	78.4	149.1	30,000*	55
	60	71.6	150.0	30,000*	74.1	149.1	30,000*	76.4	147.2	30,000*	60
	65	69.6	148.0	30,000*	72.0	147.0	30,000*	74.4	145.1	30,000*	65
	70	67.6	145.7	30,000*	70.0	144.8	30,000*	72.3	142.7	30,000*	70
	75	65.5	143.2	30,000*	67.9	142.2	30,000*	70.1	140.2	29,100*	75
	80	63.4	140.5	30,000*	65.7	139.5	30,000*	68.0	137.4	28,100*	80
	90	59.0	134.3	30,000*	61.3	133.2	30,000*	63.5	131.0	26,300*	90
	100	54.3	126.9	30,000*	56.6	125.8	29,200*	58.7	123.5	24,800*	100
	110	49.4	118.2	30,000*	51.6	117.0	27,200*				110
	120	44.0	107.7	28,800*							120
130	37.9	94.9	26,700*							130	
<b>120</b>	40	80.1	166.6	30,000*							40
	45	78.3	165.4	30,000*							45
	50	76.5	164.0	30,000*	78.8	163.1	30,000*				50
	55	74.7	162.4	30,000*	77.0	161.5	30,000*	79.2	159.5	30,000*	55
	60	72.8	160.7	30,000*	75.1	159.8	30,000*	77.3	157.8	30,000*	60
	65	70.9	158.8	30,000*	73.2	157.8	30,000*	75.4	155.8	30,000*	65
	70	69.0	156.7	30,000*	71.3	155.7	30,000*	73.5	153.7	30,000*	70
	75	67.1	154.4	30,000*	69.4	153.4	30,000*	71.5	151.3	29,800*	75
	80	65.1	151.9	30,000*	67.4	150.9	30,000*	69.5	148.8	28,800*	80
	90	61.1	146.2	30,000*	63.3	145.1	30,000*	65.4	142.9	27,000*	90
	100	56.9	139.5	30,000*	59.1	138.4	30,000*	61.0	136.0	25,500*	100
	110	52.4	131.6	30,000*	54.6	130.4	28,300*				110
	120	47.7	122.4	30,000*	49.8	121.1	26,600*				120
130	42.5	111.3	28,200*							130	
140	36.6	97.9	25,300							140	
<b>130</b>	45	79.0	175.7	30,000*							45
	50	77.3	174.4	30,000*	79.5	173.4	30,000*				50
	55	75.6	172.9	30,000*	77.8	172.0	30,000*	79.9	170.0	30,000*	55
	60	73.8	171.3	30,000*	76.0	170.3	30,000*	78.1	168.3	30,000*	60
	65	72.1	169.5	30,000*	74.2	168.5	30,000*	76.3	166.5	30,000*	65
	70	70.3	167.5	30,000*	72.5	166.6	30,000*	74.5	164.5	30,000*	70
	75	68.5	165.4	30,000*	70.6	164.4	30,000*	72.7	162.3	30,000*	75
	80	66.7	163.1	30,000*	68.8	162.0	30,000*	70.8	159.9	29,400*	80
	90	63.0	157.8	30,000*	65.1	156.7	30,000*	67.0	154.5	27,600*	90
	100	59.1	151.6	30,000*	61.2	150.5	30,000*	63.0	148.2	26,100*	100
	110	55.0	144.5	30,000*	57.1	143.3	29,300*	58.9	140.9	24,800*	110
	120	50.7	136.1	30,000*	52.7	134.9	27,600*				120
	130	46.1	126.4	27,900	48.1	125.1	26,100*				130
140	41.1	114.9	24,900							140	
<b>140</b>	45	79.6	185.9	30,000*							45
	50	78.0	184.7	30,000*	80.1	183.7	30,000*				50
	55	76.4	183.3	30,000*	78.4	182.4	30,000*	80.4	180.3	30,000*	55
	60	74.8	181.8	30,000*	76.8	180.8	30,000*	78.8	178.8	30,000*	60
	65	73.1	180.1	30,000*	75.1	179.1	30,000*	77.1	177.1	30,000*	65
	70	71.4	178.3	30,000*	73.5	177.3	30,000*	75.4	175.2	30,000*	70
	75	69.8	176.3	30,000*	71.8	175.3	30,000*	73.7	173.1	30,000*	75
	80	68.1	174.1	30,000*	70.1	173.1	30,000*	72.0	170.9	30,000*	80
	90	64.6	169.2	30,000*	66.6	168.1	30,000*	68.4	165.9	28,200*	90
	100	61.0	163.5	30,000*	62.9	162.4	30,000*	64.7	160.1	26,700*	100
	110	57.2	156.9	30,000*	59.2	155.7	30,000*	60.9	153.3	25,400*	110
	120	53.3	149.3	30,000*	55.2	148.1	28,600*	56.9	145.5	24,300*	120
	130	49.2	140.5	27,300	51.0	139.2	27,000*				130
140	44.7	130.3	24,300	46.5	128.9	24,600				140	
150	39.8	118.3	21,600							150	



# LIFT CRANE JIB CAPACITIES

MEETS  
ANSI B30.5  
REQUIREMENTS

# 4100W SERIES 2

JIB NO. 123 WITH 12' 6" STRUT ON  
BOOM NO. 22C WITH OPEN THROAT TOP  
OFFSET 4-1/2 DEGREES - 146,400 LB. CRANE COUNTERWEIGHT  
60,000 LB. CARBODY COUNTERWEIGHT  
26' 6" CRAWLERS EXTENDED

## 40 FOOT JIB

BOOM LGTH. FEET	JIB OPER. RAD. FEET	0 DEGREE OFFSET			10 DEGREE OFFSET			20 DEGREE OFFSET			JIB OPER. RAD. FEET
		BOOM ANG. DEG.	JIB POINT ELEV. FEET	CAPACITY POUNDS	BOOM ANG. DEG.	JIB POINT ELEV. FEET	CAPACITY POUNDS	BOOM ANG. DEG.	JIB POINT ELEV. FEET	CAPACITY POUNDS	
<b>150</b>	45	80.2	196.2	30,000*							45
	50	78.6	195.0	30,000*	80.6	194.0	30,000*				50
	55	77.1	193.7	30,000*	79.1	192.7	30,000*				55
	60	75.6	192.3	30,000*	77.5	191.3	30,000*	79.4	189.2	30,000*	60
	65	74.0	190.7	30,000*	76.0	189.7	30,000*	77.8	187.6	30,000*	65
	70	72.5	189.0	30,000*	74.4	187.9	30,000*	76.2	185.8	30,000*	70
	75	70.9	187.1	30,000*	72.8	186.0	30,000*	74.6	183.9	30,000*	75
	80	69.3	185.0	30,000*	71.2	184.0	30,000*	73.0	181.8	30,000*	80
	90	66.0	180.4	30,000*	67.9	179.3	30,000*	69.7	177.1	28,800*	90
	100	62.7	175.1	30,000*	64.5	174.0	30,000*	66.2	171.7	27,300*	100
	110	59.2	169.0	30,000*	61.0	167.8	30,000*	62.7	165.4	26,000*	110
	120	55.6	162.0	30,000*	57.4	160.7	29,500*	59.0	158.3	24,900*	120
	130	51.8	153.9	26,700	53.6	152.7	27,200				130
	140	47.8	144.7	23,700	49.5	143.4	24,100				140
	150	43.4	134.1	21,100							150
	160	38.7	121.6	18,800							160
<b>160</b>	50	79.2	205.3	30,000*							50
	55	77.8	204.1	30,000*	79.6	203.0	30,000*				55
	60	76.3	202.7	30,000*	78.2	201.7	30,000*	79.9	199.6	30,000*	60
	65	74.8	201.2	30,000*	76.7	200.2	30,000*	78.5	198.0	30,000*	65
	70	73.4	199.6	30,000*	75.2	198.5	30,000*	76.9	196.4	30,000*	70
	75	71.9	197.8	30,000*	73.7	196.7	30,000*	75.4	194.6	30,000*	75
	80	70.3	195.8	30,000*	72.2	194.8	30,000*	73.9	192.6	30,000*	80
	90	67.3	191.5	30,000*	69.1	190.4	30,000*	70.8	188.2	29,300*	90
	100	64.1	186.5	30,000*	65.9	185.4	30,000*	67.6	183.1	27,800*	100
	110	60.9	180.8	30,000*	62.6	179.6	30,000*	64.3	177.2	26,500*	110
	120	57.5	174.3	29,700	59.3	173.1	30,000*	60.8	170.6	25,400*	120
	130	54.0	166.9	26,100	55.7	165.6	26,700	57.2	163.0	24,400*	130
	140	50.3	158.5	23,100	52.0	157.1	23,500				140
150	46.4	148.8	20,500	48.1	147.4	20,900				150	
160	42.2	137.8	18,200							160	
170	37.6	124.8	16,200							170	
<b>170</b>	50	79.7	215.5	30,000*							50
	55	78.3	214.4	30,000*	80.1	213.3	30,000*				55
	60	77.0	213.1	30,000*	78.7	212.0	30,000*	80.4	209.9	30,000*	60
	65	75.6	211.6	30,000*	77.3	210.6	30,000*	79.0	208.5	30,000*	65
	70	74.2	210.1	30,000*	75.9	209.0	30,000*	77.6	206.9	30,000*	70
	75	72.7	208.4	30,000*	74.5	207.3	30,000*	76.2	205.2	30,000*	75
	80	71.3	206.6	30,000*	73.1	205.5	30,000*	74.7	203.3	30,000*	80
	90	68.4	202.5	30,000*	70.1	201.4	30,000*	71.8	199.1	29,800*	90
	100	65.5	197.8	30,000*	67.2	196.6	30,000*	68.7	194.3	28,400*	100
	110	62.4	192.4	30,000*	64.1	191.2	30,000*	65.6	188.9	27,100*	110
	120	59.3	186.3	29,400	60.9	185.1	30,000*	62.4	182.6	25,900*	120
	130	56.0	179.4	25,800	57.6	178.2	26,300	59.1	175.6	24,900*	130
	140	52.6	171.6	22,700	54.2	170.3	23,200				140
	150	49.0	162.8	20,100	50.6	161.5	20,500				150
	160	45.2	152.8	17,800	46.8	151.4	18,200				160
170	41.1	141.3	15,900							170	
180	36.7	127.9	14,100							180	



# LIFT CRANE JIB CAPACITIES

MEETS  
ANSI B30.5  
REQUIREMENTS

# 4100W SERIES 2

JIB NO. 123 WITH 12' 6" STRUT ON  
BOOM NO. 22C WITH OPEN THROAT TOP  
OFFSET 4-1/2 DEGREES - 146,400 LB. CRANE COUNTERWEIGHT  
60,000 LB. CARBODY COUNTERWEIGHT  
26' 6" CRAWLERS EXTENDED

## 40 FOOT JIB

BOOM LGTH. FEET	JIB OPER. RAD. FEET	0 DEGREE OFFSET			10 DEGREE OFFSET			20 DEGREE OFFSET			JIB OPER. RAD. FEET
		BOOM ANG. DEG.	JIB POINT ELEV. FEET	CAPACITY POUNDS	BOOM ANG. DEG.	JIB POINT ELEV. FEET	CAPACITY POUNDS	BOOM ANG. DEG.	JIB POINT ELEV. FEET	CAPACITY POUNDS	
<b>180</b>	50	80.2	225.8	30,000*							50
	55	78.9	224.6	30,000*	80.6	223.6	30,000*				55
	60	77.6	223.4	30,000*	79.2	222.4	30,000*				60
	65	76.2	222.1	30,000*	77.9	221.0	30,000*	79.5	218.8	30,000*	65
	70	74.9	220.6	30,000*	76.6	219.5	30,000*	78.2	217.3	30,000*	70
	75	73.6	219.0	30,000*	75.2	217.9	30,000*	76.8	215.7	30,000*	75
	80	72.2	217.2	30,000*	73.9	216.1	30,000*	75.4	213.9	30,000*	80
	90	69.4	213.3	30,000*	71.1	212.2	30,000*	72.6	210.0	30,000*	90
	100	66.6	208.9	30,000*	68.3	207.8	30,000*	69.8	205.4	28,800*	100
	110	63.8	203.8	30,000*	65.4	202.7	30,000*	66.9	200.3	27,500*	110
	120	60.8	198.1	28,800	62.4	196.9	29,500	63.9	194.5	26,400*	120
	130	57.8	191.6	25,200	59.3	190.4	25,800	60.7	187.9	25,400*	130
	140	54.6	184.4	22,100	56.1	183.1	22,700	57.5	180.5	23,100	140
	150	51.3	176.3	19,500	52.8	174.9	20,000				150
	160	47.8	167.1	17,200	49.3	165.7	17,600				160
	170	44.1	156.7	15,300							170
	180	40.1	144.8	13,500							180
	<b>190</b>	50	80.6	236.0	30,000*						
55		79.4	234.9	30,000*							55
60		78.1	233.7	30,000*	79.7	232.7	30,000*				60
65		76.8	232.4	30,000*	78.4	231.4	30,000*	80.0	229.2	30,000*	65
70		75.6	231.0	30,000*	77.2	229.9	30,000*	78.7	227.7	30,000*	70
75		74.3	229.5	30,000*	75.9	228.4	30,000*	77.4	226.2	30,000*	75
80		73.0	227.8	30,000*	74.6	226.7	30,000*	76.1	224.5	30,000*	80
90		70.4	224.1	30,000*	72.0	223.0	30,000*	73.4	220.7	30,000*	90
100		67.7	219.9	30,000*	69.3	218.8	30,000*	70.7	216.4	29,300*	100
110		65.0	215.1	30,000*	66.5	213.9	30,000*	68.0	211.6	28,000*	110
120		62.2	209.7	28,200	63.7	208.5	29,000	65.1	206.1	26,800*	120
130		59.3	203.6	24,600	60.8	202.4	25,300	62.2	199.9	25,800*	130
140		56.4	196.8	21,600	57.9	195.6	22,200	59.2	193.0	22,700	140
150		53.3	189.3	19,000	54.8	187.9	19,500				150
160		50.1	180.8	16,700	51.5	179.4	17,100				160
170		46.7	171.3	14,700	48.1	169.8	15,100				170
180		43.1	160.5	13,000							180
190		39.2	148.2	11,400							190
<b>200</b>	55	79.8	245.1	30,000*							55
	60	78.6	244.0	30,000*	80.2	242.9	30,000*				60
	65	77.4	242.8	30,000*	78.9	241.7	30,000*	80.4	239.5	30,000*	65
	70	76.2	241.4	30,000*	77.7	240.3	30,000*	79.2	238.1	30,000*	70
	75	74.9	239.9	30,000*	76.5	238.9	30,000*	78.0	236.6	30,000*	75
	80	73.7	238.4	30,000*	75.2	237.3	30,000*	76.7	235.0	30,000*	80
	90	71.2	234.8	30,000*	72.7	233.7	30,000*	74.2	231.4	30,000*	90
	100	68.7	230.8	30,000*	70.2	229.7	30,000*	71.6	227.4	29,700*	100
	110	66.1	226.2	30,000*	67.6	225.1	30,000*	69.0	222.7	28,400*	110
	120	63.5	221.1	27,700	64.9	219.9	28,400	66.3	217.5	27,300*	120
	130	60.7	215.4	24,100	62.2	214.2	24,700	63.5	211.7	25,400	130
	140	57.9	209.0	21,000	59.4	207.8	21,600	60.7	205.2	22,100	140
	150	55.1	201.9	18,400	56.5	200.6	18,900	57.7	197.9	19,400	150
	160	52.1	194.0	16,100	53.5	192.6	16,600				160
	170	48.9	185.2	14,100	50.3	183.8	14,500				170
	180	45.6	175.3	12,400	47.0	173.8	12,700				180
	190	42.1	164.2	10,800							190
	200	38.3	151.5	9,400							200



# LIFT CRANE JIB CAPACITIES

MEETS  
ANSI B30.5  
REQUIREMENTS

# 4100W SERIES 2

JIB NO. 123 WITH 12' 6" STRUT ON  
BOOM NO. 22C WITH OPEN THROAT TOP  
OFFSET 4-1/2 DEGREES - 146,400 LB. CRANE COUNTERWEIGHT  
60,000 LB. CARBODY COUNTERWEIGHT  
26' 6" CRAWLERS EXTENDED

## 40 FOOT JIB

BOOM LGTH. FEET	JIB OPER. RAD. FEET	0 DEGREE OFFSET			10 DEGREE OFFSET			20 DEGREE OFFSET			JIB OPER. RAD. FEET	
		BOOM ANG. DEG.	JIB POINT ELEV. FEET	CAPACITY POUNDS	BOOM ANG. DEG.	JIB POINT ELEV. FEET	CAPACITY POUNDS	BOOM ANG. DEG.	JIB POINT ELEV. FEET	CAPACITY POUNDS		
<b>210</b>	55	80.2	255.3	30,000*							55	
	60	79.1	254.3	30,000*	80.6	253.2	30,000*				60	
	65	77.9	253.1	30,000*	79.4	252.0	30,000*				65	
	70	76.7	251.8	30,000*	78.2	250.7	30,000*	79.6	248.5	30,000*	70	
	75	75.6	250.4	30,000*	77.0	249.3	30,000*	78.5	247.0	30,000*	75	
	80	74.4	248.9	30,000*	75.8	247.8	30,000*	77.3	245.5	30,000*	80	
	90	72.0	245.5	30,000*	73.5	244.4	30,000*	74.8	242.1	30,000*	90	
	100	69.6	241.6	30,000*	71.0	240.5	30,000*	72.4	238.2	30,000*	100	
	110	67.1	237.3	30,000*	68.5	236.1	30,000*	69.9	233.8	28,900*	110	
	120	64.6	232.4	27,300	66.0	231.2	28,100	67.3	228.8	27,700*	120	
	130	62.0	227.0	23,700	63.4	225.8	24,400	64.7	223.3	25,000	130	
	140	59.4	221.0	20,600	60.8	219.7	21,200	62.0	217.2	21,800	140	
	150	56.7	214.3	18,000	58.0	213.0	18,600	59.3	210.3	19,100	150	
	160	53.8	206.8	15,700	55.2	205.5	16,200				160	
	170	50.9	198.6	13,700	52.3	197.2	14,200				170	
	180	47.9	189.5	12,000	49.2	188.0	12,300				180	
	190	44.6	179.3	10,400							190	
	200	41.2	167.8	9,000							200	
	210	37.5	154.8	7,700*							210	
	<b>220</b>	55	80.6	265.5	30,000*							55
		60	79.5	264.5	30,000*							60
65		78.4	263.4	30,000*	79.8	262.3	30,000*				65	
70		77.3	262.1	30,000*	78.7	261.0	30,000*	80.1	258.8	30,000*	70	
75		76.1	260.8	30,000*	77.5	259.7	30,000*	78.9	257.4	30,000*	75	
80		75.0	259.3	30,000*	76.4	258.2	30,000*	77.8	255.9	30,000*	80	
90		72.7	256.1	30,000*	74.1	255.0	30,000*	75.4	252.7	30,000*	90	
100		70.4	252.4	30,000*	71.8	251.3	30,000*	73.1	248.9	30,000*	100	
110		68.0	248.3	30,000*	69.4	247.1	30,000*	70.7	244.7	29,300*	110	
120		65.6	243.6	26,700	67.0	242.4	27,500	68.3	240.0	28,100*	120	
130		63.2	238.4	23,100	64.5	237.2	23,800	65.8	234.8	24,500	130	
140		60.7	232.7	20,000	62.0	231.5	20,700	63.2	228.9	21,300	140	
150		58.1	226.4	17,400	59.4	225.1	18,000	60.6	222.5	18,500	150	
160		55.5	219.4	15,100	56.8	218.1	15,700	57.9	215.4	16,100	160	
170	52.7	211.7	13,100	54.0	210.3	13,600				170		
180	49.9	203.1	11,400	51.1	201.7	11,800				180		
190	46.9	193.7	9,800	48.1	192.2	10,200				190		
200	43.7	183.1	8,400							200		
210	40.3	171.3	6,900*							210		
220	36.7	157.9	5,500*							220		
<b>230</b>	60	79.9	274.7	30,000*							60	
	65	78.8	273.6	30,000*	80.2	272.5	30,000*				65	
	70	77.7	272.4	30,000*	79.1	271.3	30,000*	80.4	269.1	30,000*	70	
	75	76.6	271.1	30,000*	78.0	270.0	30,000*	79.3	267.8	30,000*	75	
	80	75.6	269.7	30,000*	76.9	268.6	30,000*	78.2	266.3	30,000*	80	
	90	73.4	266.6	30,000*	74.7	265.5	30,000*	76.0	263.2	30,000*	90	
	100	71.1	263.1	30,000*	72.5	262.0	30,000*	73.8	259.6	30,000*	100	
	110	68.9	259.1	30,000*	70.2	258.0	30,000*	71.5	255.6	29,700*	110	
	120	66.6	254.7	26,200	67.9	253.5	27,100	69.1	251.1	27,900	120	
	130	64.3	249.8	22,600	65.6	248.5	23,400	66.8	246.1	24,100	130	
	140	61.9	244.3	19,500	63.2	243.1	20,200	64.4	240.5	20,900	140	
	150	59.4	238.3	16,900	60.7	237.0	17,500	61.9	234.4	18,100	150	
	160	56.9	231.7	14,600	58.2	230.3	15,200	59.3	227.7	15,700	160	
	170	54.3	224.4	12,600	55.6	223.0	13,100				170	
180	51.6	216.4	10,800	52.9	214.9	11,300				180		
190	48.8	207.5	9,300	50.1	206.1	9,700				190		
200	45.9	197.8	7,800*	47.1	196.2	8,200				200		
210	42.8	186.9	6,200*							210		
220	39.5	174.8	4,800*							220		



# LIFTCRANE JIB CAPACITIES

MEETS  
ANSI B30.5  
REQUIREMENTS

# 4100W SERIES 2

JIB NO. 123 WITH 12' 6" STRUT ON  
BOOM NO. 22C WITH OPEN THROAT TOP  
OFFSET 4-1/2 DEGREES - 146,400 LB. CRANE COUNTERWEIGHT  
60,000 LB. CARBODY COUNTERWEIGHT  
26' 6" CRAWLERS EXTENDED

## 40 FOOT JIB

BOOM LGTH. FEET	JIB OPER. RAD. FEET	0 DEGREE OFFSET			10 DEGREE OFFSET			20 DEGREE OFFSET			JIB OPER. RAD. FEET
		BOOM ANG. DEG.	JIB POINT ELEV. FEET	CAPACITY POUNDS	BOOM ANG. DEG.	JIB POINT ELEV. FEET	CAPACITY POUNDS	BOOM ANG. DEG.	JIB POINT ELEV. FEET	CAPACITY POUNDS	
240	60	80.2	284.9	30,000*							60
	65	79.2	283.9	30,000*	80.5	282.8	30,000*				65
	70	78.2	282.7	30,000*	79.5	281.6	30,000*				70
	75	77.1	281.5	30,000*	78.5	280.3	30,000*	79.7	278.1	30,000*	75
	80	76.1	280.1	30,000*	77.4	279.0	30,000*	78.7	276.7	30,000*	80
	90	74.0	277.2	30,000*	75.3	276.0	30,000*	76.5	273.7	30,000*	90
	100	71.8	273.8	30,000*	73.1	272.6	30,000*	74.4	270.3	30,000*	100
	110	69.7	269.9	30,000*	71.0	268.8	30,000*	72.2	266.4	30,000*	110
	120	67.5	265.7	25,700	68.8	264.5	26,600	70.0	262.1	27,400	120
	130	65.2	261.0	22,100	66.5	259.8	22,900	67.7	257.3	23,600	130
	140	63.0	255.8	19,000	64.2	254.5	19,700	65.4	252.0	20,400	140
	150	60.6	250.0	16,400	61.9	248.8	17,000	63.0	246.2	17,600	150
	160	58.2	243.7	14,100	59.5	242.4	14,700	60.6	239.8	15,200	160
	170	55.8	236.8	12,100	57.0	235.5	12,600	58.1	232.8	13,100	170
	180	53.3	229.3	10,300	54.5	227.9	10,800				180
190	50.6	221.0	8,700	51.8	219.5	9,200				190	
200	47.9	211.8	7,100*	49.1	210.3	7,600*				200	
210	45.0	201.8	5,500*							210	
220	42.0	190.6	4,100*							220	



# LIFT CRANE JIB CAPACITIES

MEETS  
ANSI B30.5  
REQUIREMENTS

# 4100W SERIES 2

JIB NO. 123 WITH 12' 6" STRUT ON  
BOOM NO. 22C WITH OPEN THROAT TOP  
OFFSET 4-1/2 DEGREES - 146,400 LB. CRANE COUNTERWEIGHT  
60,000 LB. CARBODY COUNTERWEIGHT  
26' 6" CRAWLERS EXTENDED

## 50 FOOT JIB

BOOM LGTH. FEET	JIB OPER. RAD. FEET	0 DEGREE OFFSET			10 DEGREE OFFSET			20 DEGREE OFFSET			JIB OPER. RAD. FEET
		BOOM ANG. DEG.	JIB POINT ELEV. FEET	CAPACITY POUNDS	BOOM ANG. DEG.	JIB POINT ELEV. FEET	CAPACITY POUNDS	BOOM ANG. DEG.	JIB POINT ELEV. FEET	CAPACITY POUNDS	
<b>110</b>	40	80.7	166.8	20,000*							40
	45	78.9	165.6	20,000*							45
	50	77.1	164.3	20,000*	80.0	163.3	20,000*				50
	55	75.2	162.8	20,000*	78.1	161.8	20,000*				55
	60	73.4	161.1	20,000*	76.3	160.1	20,000*	79.1	157.9	20,000*	60
	65	71.5	159.2	20,000*	74.4	158.2	20,000*	77.2	155.9	20,000*	65
	70	69.6	157.1	20,000*	72.5	156.1	20,000*	75.2	153.8	20,000*	70
	75	67.7	154.8	20,000*	70.5	153.8	20,000*	73.3	151.5	20,000*	75
	80	65.8	152.4	20,000*	68.6	151.3	20,000*	71.3	149.0	20,000*	80
	90	61.7	146.8	20,000*	64.5	145.7	20,000*	67.2	143.2	20,000*	90
	100	57.5	140.2	20,000*	60.3	139.0	20,000*	62.8	136.4	20,000*	100
	110	53.1	132.4	20,000*	55.8	131.2	20,000*	58.3	128.5	19,300*	110
	120	48.4	123.3	20,000*	51.0	122.0	20,000*				120
	130	43.2	112.5	20,000*							130
140	37.4	99.3	20,000*							140	
<b>120</b>	45	79.5	175.9	20,000*							45
	50	77.8	174.6	20,000*	80.6	173.6	20,000*				50
	55	76.1	173.2	20,000*	78.8	172.2	20,000*				55
	60	74.4	171.6	20,000*	77.1	170.6	20,000*	79.8	168.3	20,000*	60
	65	72.6	169.9	20,000*	75.3	168.8	20,000*	78.0	166.6	20,000*	65
	70	70.9	167.9	20,000*	73.6	166.9	20,000*	76.2	164.6	20,000*	70
	75	69.1	165.8	20,000*	71.8	164.8	20,000*	74.3	162.4	20,000*	75
	80	67.3	163.5	20,000*	69.9	162.4	20,000*	72.5	160.1	20,000*	80
	90	63.5	158.3	20,000*	66.2	157.2	20,000*	68.7	154.7	20,000*	90
	100	59.7	152.2	20,000*	62.3	151.1	20,000*	64.7	148.5	20,000*	100
	110	55.6	145.2	20,000*	58.2	144.0	20,000*	60.6	141.3	19,900*	110
	120	51.4	137.0	20,000*	53.9	135.7	20,000*				120
	130	46.8	127.4	20,000*	49.3	126.0	20,000*				130
	140	41.8	116.0	20,000*							140
150	36.2	102.3	20,000*							150	
<b>130</b>	45	80.1	186.2	20,000*							45
	50	78.5	185.0	20,000*							50
	55	76.9	183.6	20,000*	79.5	182.6	20,000*				55
	60	75.3	182.1	20,000*	77.8	181.1	20,000*	80.4	178.8	20,000*	60
	65	73.6	180.5	20,000*	76.2	179.4	20,000*	78.7	177.1	20,000*	65
	70	72.0	178.7	20,000*	74.5	177.6	20,000*	77.0	175.2	20,000*	70
	75	70.3	176.7	20,000*	72.8	175.6	20,000*	75.3	173.2	20,000*	75
	80	68.6	174.5	20,000*	71.1	173.4	20,000*	73.5	171.0	20,000*	80
	90	65.1	169.7	20,000*	67.6	168.5	20,000*	70.0	166.1	20,000*	90
	100	61.5	164.0	20,000*	64.0	162.9	20,000*	66.3	160.3	20,000*	100
	110	57.8	157.5	20,000*	60.3	156.3	20,000*	62.5	153.6	20,000*	110
	120	53.9	150.0	20,000*	56.3	148.7	20,000*	58.5	145.9	19,400*	120
	130	49.8	141.4	20,000*	52.1	140.0	20,000*				130
	140	45.4	131.3	20,000*	47.7	129.8	20,000*				140
150	40.5	119.5	20,000*							150	
<b>140</b>	45	80.6	196.4	20,000*							45
	50	79.1	195.3	20,000*							50
	55	77.6	194.0	20,000*	80.0	192.9	20,000*				55
	60	76.1	192.6	20,000*	78.5	191.5	20,000*	80.9	189.1	20,000*	60
	65	74.5	191.0	20,000*	76.9	189.9	20,000*	79.3	187.6	20,000*	65
	70	73.0	189.3	20,000*	75.4	188.2	20,000*	77.7	185.8	20,000*	70
	75	71.4	187.4	20,000*	73.8	186.3	20,000*	76.1	183.9	20,000*	75
	80	69.8	185.4	20,000*	72.2	184.3	20,000*	74.5	181.8	20,000*	80
	90	66.5	180.9	20,000*	68.9	179.7	20,000*	71.2	177.2	20,000*	90
	100	63.2	175.6	20,000*	65.5	174.4	20,000*	67.7	171.8	20,000*	100
	110	59.7	169.6	20,000*	62.0	168.3	20,000*	64.2	165.6	20,000*	110
	120	56.1	162.7	20,000*	58.4	161.4	20,000*	60.5	158.5	19,900*	120
	130	52.3	154.7	20,000*	54.6	153.4	20,000*	56.6	150.4	19,000*	130
	140	48.3	145.7	20,000*	50.6	144.2	20,000*				140
150	44.1	135.2	20,000*	46.2	133.6	20,000*				150	
160	39.4	122.9	19,700							160	



# LIFT CRANE JIB CAPACITIES

MEETS  
ANSI B30.5  
REQUIREMENTS

# 4100W SERIES 2

JIB NO. 123 WITH 12' 6" STRUT ON  
BOOM NO. 22C WITH OPEN THROAT TOP  
OFFSET 4-1/2 DEGREES - 146,400 LB. CRANE COUNTERWEIGHT  
60,000 LB. CARBODY COUNTERWEIGHT  
26' 6" CRAWLERS EXTENDED

## 50 FOOT JIB

BOOM LGTH. FEET	JIB OPER. RAD. FEET	0 DEGREE OFFSET			10 DEGREE OFFSET			20 DEGREE OFFSET			JIB OPER. RAD. FEET
		BOOM ANG. DEG.	JIB POINT ELEV. FEET	CAPACITY POUNDS	BOOM ANG. DEG.	JIB POINT ELEV. FEET	CAPACITY POUNDS	BOOM ANG. DEG.	JIB POINT ELEV. FEET	CAPACITY POUNDS	
<b>150</b>	50	79.7	205.5	20,000*							50
	55	78.2	204.3	20,000*	80.5	203.2	20,000*				55
	60	76.8	203.0	20,000*	79.1	201.9	20,000*				60
	65	75.3	201.5	20,000*	77.6	200.4	20,000*	79.9	198.0	20,000*	65
	70	73.8	199.9	20,000*	76.1	198.8	20,000*	78.4	196.3	20,000*	70
	75	72.3	198.1	20,000*	74.6	197.0	20,000*	76.8	194.5	20,000*	75
	80	70.8	196.2	20,000*	73.1	195.1	20,000*	75.3	192.6	20,000*	80
	90	67.8	191.9	20,000*	70.0	190.8	20,000*	72.2	188.2	20,000*	90
	100	64.6	187.0	20,000*	66.9	185.8	20,000*	69.0	183.2	20,000*	100
	110	61.4	181.4	20,000*	63.6	180.1	20,000*	65.7	177.4	20,000*	110
	120	58.0	174.9	20,000*	60.2	173.6	20,000*	62.2	170.8	20,000*	120
	130	54.6	167.6	20,000*	56.7	166.2	20,000*	58.7	163.3	19,400*	130
	140	50.9	159.3	20,000*	53.0	157.9	20,000*				140
	150	47.0	149.8	20,000*	49.1	148.3	20,000*				150
	160	42.8	138.9	19,100							160
	170	38.3	126.1	17,100							170
	<b>160</b>	50	80.2	215.7	20,000*						
55		78.8	214.6	20,000*							55
60		77.4	213.3	20,000*	79.6	212.2	20,000*				60
65		76.0	211.9	20,000*	78.2	210.8	20,000*	80.4	208.3	20,000*	65
70		74.6	210.4	20,000*	76.8	209.2	20,000*	78.9	206.8	20,000*	70
75		73.2	208.7	20,000*	75.4	207.6	20,000*	77.5	205.1	20,000*	75
80		71.8	206.9	20,000*	73.9	205.8	20,000*	76.0	203.2	20,000*	80
90		68.9	202.9	20,000*	71.0	201.7	20,000*	73.1	199.1	20,000*	90
100		65.9	198.2	20,000*	68.0	197.0	20,000*	70.1	194.4	20,000*	100
110		62.9	192.9	20,000*	65.0	191.7	20,000*	67.0	189.0	20,000*	110
120		59.7	186.9	20,000*	61.8	185.6	20,000*	63.8	182.8	20,000*	120
130		56.5	180.1	20,000*	58.6	178.7	20,000*	60.4	175.8	19,900*	130
140		53.1	172.4	20,000*	55.2	171.0	20,000*	57.0	167.9	19,100*	140
150	49.6	163.7	20,000*	51.6	162.2	20,000*				150	
160	45.8	153.8	18,500	47.8	152.2	18,900				160	
170	41.7	142.5	16,500							170	
180	37.3	129.3	14,700							180	
<b>170</b>	50	80.6	226.0	20,000*							50
	55	79.3	224.9	20,000*							55
	60	78.0	223.7	20,000*	80.1	222.5	20,000*				60
	65	76.7	222.3	20,000*	78.8	221.2	20,000*	80.8	218.7	20,000*	65
	70	75.3	220.9	20,000*	77.4	219.7	20,000*	79.5	217.2	20,000*	70
	75	74.0	219.3	20,000*	76.1	218.1	20,000*	78.1	215.6	20,000*	75
	80	72.6	217.6	20,000*	74.7	216.4	20,000*	76.7	213.8	20,000*	80
	90	69.9	213.7	20,000*	71.9	212.5	20,000*	73.9	209.9	20,000*	90
	100	67.1	209.3	20,000*	69.1	208.1	20,000*	71.1	205.4	20,000*	100
	110	64.2	204.3	20,000*	66.2	203.0	20,000*	68.1	200.3	20,000*	110
	120	61.3	198.7	20,000*	63.3	197.3	20,000*	65.1	194.6	20,000*	120
	130	58.2	192.3	20,000*	60.2	190.9	20,000*	62.0	188.0	20,000*	130
	140	55.1	185.1	20,000*	57.0	183.7	20,000*	58.8	180.7	19,500*	140
	150	51.8	177.1	20,000*	53.7	175.6	20,000*				150
	160	48.3	168.0	18,100	50.2	166.5	18,600				160
170	44.6	157.7	16,100	46.5	156.1	16,500				170	
180	40.7	146.0	14,400							180	
190	36.4	132.4	12,800							190	



# LIFT CRANE JIB CAPACITIES

MEETS  
ANSI B30.5  
REQUIREMENTS

# 4100W SERIES 2

JIB NO. 123 WITH 12' 6" STRUT ON  
BOOM NO. 22C WITH OPEN THROAT TOP  
OFFSET 4-1/2 DEGREES - 146,400 LB. CRANE COUNTERWEIGHT  
60,000 LB. CARBODY COUNTERWEIGHT  
26' 6" CRAWLERS EXTENDED

## 50 FOOT JIB

BOOM LGTH. FEET	JIB OPER. RAD. FEET	0 DEGREE OFFSET			10 DEGREE OFFSET			20 DEGREE OFFSET			JIB OPER. RAD. FEET	
		BOOM ANG. DEG.	JIB POINT ELEV. FEET	CAPACITY POUNDS	BOOM ANG. DEG.	JIB POINT ELEV. FEET	CAPACITY POUNDS	BOOM ANG. DEG.	JIB POINT ELEV. FEET	CAPACITY POUNDS		
180	55	79.8	235.1	20,000*							55	
	60	78.5	234.0	20,000*	80.5	232.8	20,000*				60	
	65	77.2	232.7	20,000*	79.3	231.5	20,000*				65	
	70	76.0	231.3	20,000*	78.0	230.1	20,000*	79.9	227.6	20,000*	70	
	75	74.7	229.8	20,000*	76.7	228.6	20,000*	78.6	226.0	20,000*	75	
	80	73.4	228.1	20,000*	75.4	226.9	20,000*	77.3	224.4	20,000*	80	
	90	70.8	224.5	20,000*	72.8	223.3	20,000*	74.7	220.7	20,000*	90	
	100	68.1	220.3	20,000*	70.1	219.1	20,000*	72.0	216.4	20,000*	100	
	110	65.4	215.6	20,000*	67.4	214.3	20,000*	69.2	211.6	20,000*	110	
	120	62.6	210.2	20,000*	64.6	208.9	20,000*	66.4	206.1	20,000*	120	
	130	59.8	204.2	20,000*	61.7	202.9	20,000*	63.4	200.0	20,000*	130	
	140	56.8	197.5	20,000*	58.7	196.1	20,000*	60.4	193.1	19,800*	140	
	150	53.7	190.0	19,800	55.6	188.6	20,000*	57.3	185.5	19,100*	150	
	160	50.5	181.6	17,500	52.4	180.1	18,000				160	
	170	47.2	172.2	15,500	49.0	170.6	16,000				170	
	180	43.6	161.6	13,800							180	
	190	39.7	149.4	12,200							190	
	190	55	80.2	245.3	20,000*							55
		60	79.0	244.2	20,000*	80.9	243.0	20,000*				60
65		77.8	243.0	20,000*	79.7	241.8	20,000*				65	
70		76.6	241.7	20,000*	78.5	240.5	20,000*	80.4	237.9	20,000*	70	
75		75.3	240.2	20,000*	77.3	239.0	20,000*	79.1	236.5	20,000*	75	
80		74.1	238.7	20,000*	76.0	237.5	20,000*	77.9	234.9	20,000*	80	
90		71.6	235.2	20,000*	73.5	234.0	20,000*	75.3	231.3	20,000*	90	
100		69.1	231.2	20,000*	71.0	229.9	20,000*	72.8	227.3	20,000*	100	
110		66.5	226.7	20,000*	68.4	225.4	20,000*	70.1	222.7	20,000*	110	
120		63.9	221.6	20,000*	65.7	220.3	20,000*	67.4	217.5	20,000*	120	
130		61.2	216.0	20,000*	63.0	214.6	20,000*	64.7	211.7	20,000*	130	
140		58.4	209.6	20,000*	60.2	208.2	20,000*	61.8	205.3	20,000*	140	
150		55.5	202.6	19,200	57.3	201.2	19,900	58.9	198.1	19,500*	150	
160		52.5	194.8	17,000	54.3	193.3	17,500				160	
170		49.4	186.0	15,000	51.1	184.5	15,500				170	
180		46.1	176.3	13,200	47.8	174.6	13,600				180	
190		42.6	165.3	11,600							190	
200		38.8	152.8	10,200							200	
200		55	80.6	255.5	20,000*							55
	60	79.4	254.5	20,000*							60	
	65	78.3	253.3	20,000*	80.1	252.1	20,000*				65	
	70	77.1	252.0	20,000*	79.0	250.8	20,000*	80.8	248.2	20,000*	70	
	75	75.9	250.7	20,000*	77.8	249.4	20,000*	79.6	246.8	20,000*	75	
	80	74.8	249.2	20,000*	76.6	247.9	20,000*	78.4	245.3	20,000*	80	
	90	72.4	245.8	20,000*	74.2	244.6	20,000*	76.0	241.9	20,000*	90	
	100	70.0	242.0	20,000*	71.8	240.8	20,000*	73.5	238.1	20,000*	100	
	110	67.5	237.7	20,000*	69.3	236.4	20,000*	71.0	233.7	20,000*	110	
	120	65.0	232.9	20,000*	66.8	231.6	20,000*	68.4	228.8	20,000*	120	
	130	62.4	227.5	20,000*	64.2	226.2	20,000*	65.8	223.3	20,000*	130	
	140	59.8	221.5	20,000*	61.5	220.2	20,000*	63.1	217.2	20,000*	140	
	150	57.1	214.9	18,700	58.8	213.5	19,300	60.4	210.4	19,800*	150	
	160	54.3	207.6	16,400	56.0	206.1	17,000	57.5	202.9	17,500	160	
	170	51.4	199.4	14,400	53.0	197.9	14,900				170	
	180	48.3	190.4	12,600	50.0	188.7	13,100				180	
	190	45.1	180.3	11,000	46.7	178.5	11,500				190	
	200	41.7	168.9	9,600							200	
	210	38.0	156.1	8,400							210	



# LIFT CRANE JIB CAPACITIES

MEETS  
ANSI B30.5  
REQUIREMENTS

# 4100W SERIES 2

JIB NO. 123 WITH 12' 6" STRUT ON  
BOOM NO. 22C WITH OPEN THROAT TOP  
OFFSET 4-1/2 DEGREES - 146,400 LB. CRANE COUNTERWEIGHT  
60,000 LB. CARBODY COUNTERWEIGHT  
26' 6" CRAWLERS EXTENDED

## 50 FOOT JIB

BOOM LGTH. FEET	JIB OPER. RAD. FEET	0 DEGREE OFFSET			10 DEGREE OFFSET			20 DEGREE OFFSET			JIB OPER. RAD. FEET	
		BOOM ANG. DEG.	JIB POINT ELEV. FEET	CAPACITY POUNDS	BOOM ANG. DEG.	JIB POINT ELEV. FEET	CAPACITY POUNDS	BOOM ANG. DEG.	JIB POINT ELEV. FEET	CAPACITY POUNDS		
<b>210</b>	55	81.0	265.7	20,000*							55	
	60	79.8	264.7	20,000*							60	
	65	78.7	263.6	20,000*	80.5	262.4	20,000*				65	
	70	77.6	262.4	20,000*	79.4	261.1	20,000*				70	
	75	76.5	261.0	20,000*	78.3	259.8	20,000*	80.0	257.2	20,000*	75	
	80	75.4	259.6	20,000*	77.1	258.4	20,000*	78.8	255.7	20,000*	80	
	90	73.1	256.4	20,000*	74.8	255.1	20,000*	76.5	252.5	20,000*	90	
	100	70.8	252.8	20,000*	72.5	251.5	20,000*	74.2	248.8	20,000*	100	
	110	68.4	248.7	20,000*	70.1	247.4	20,000*	71.8	244.6	20,000*	110	
	120	66.0	244.1	20,000*	67.7	242.7	20,000*	69.4	239.9	20,000*	120	
	130	63.6	238.9	20,000*	65.3	237.6	20,000*	66.9	234.7	20,000*	130	
	140	61.1	233.3	20,000*	62.8	231.9	20,000*	64.3	228.9	20,000*	140	
	150	58.5	227.0	18,300	60.2	225.6	19,000	61.7	222.5	19,600	150	
	160	55.9	220.1	16,000	57.5	218.6	16,600	59.0	215.5	17,200	160	
	170	53.1	212.4	14,000	54.8	210.9	14,500				170	
	180	50.3	204.0	12,200	51.9	202.4	12,700				180	
	190	47.3	194.6	10,600	48.9	192.9	11,100				190	
	200	44.2	184.2	9,200							200	
	210	40.8	172.5	8,000*							210	
	220	37.2	159.3	6,600*							220	
	<b>220</b>	60	80.2	274.9	20,000*							60
		65	79.1	273.8	20,000*	80.9	272.6	20,000*				65
70		78.1	272.7	20,000*	79.8	271.4	20,000*				70	
75		77.0	271.4	20,000*	78.7	270.1	20,000*	80.4	267.5	20,000*	75	
80		75.9	270.0	20,000*	77.6	268.8	20,000*	79.3	266.1	20,000*	80	
90		73.7	267.0	20,000*	75.4	265.7	20,000*	77.0	263.0	20,000*	90	
100		71.5	263.5	20,000*	73.2	262.2	20,000*	74.8	259.5	20,000*	100	
110		69.2	259.5	20,000*	70.9	258.2	20,000*	72.5	255.5	20,000*	110	
120		67.0	255.1	20,000*	68.6	253.8	20,000*	70.2	251.0	20,000*	120	
130		64.6	250.2	20,000*	66.3	248.9	20,000*	67.8	246.0	20,000*	130	
140		62.2	244.8	20,000*	63.9	243.4	20,000*	65.4	240.5	20,000*	140	
150		59.8	238.9	17,700	61.4	237.4	18,400	62.9	234.4	19,100	150	
160		57.3	232.3	15,400	58.9	230.8	16,100	60.3	227.7	16,700	160	
170		54.7	225.1	13,400	56.3	223.6	14,000	57.7	220.4	14,500	170	
180		52.0	217.1	11,600	53.6	215.6	12,200				180	
190	49.3	208.4	10,100	50.8	206.7	10,500				190		
200	46.3	198.7	8,600	47.9	197.0	9,100				200		
210	43.3	188.0	7,300*							210		
220	40.0	176.0	5,800*							220		
230	36.5	162.4	4,600*							230		
<b>230</b>	60	80.6	285.1	20,000*							60	
	65	79.5	284.1	20,000*							65	
	70	78.5	282.9	20,000*	80.2	281.7	20,000*				70	
	75	77.5	281.7	20,000*	79.1	280.5	20,000*	80.7	277.8	20,000*	75	
	80	76.4	280.4	20,000*	78.1	279.1	20,000*	79.7	276.5	20,000*	80	
	90	74.3	277.4	20,000*	75.9	276.2	20,000*	77.5	273.5	20,000*	90	
	100	72.2	274.1	20,000*	73.8	272.8	20,000*	75.4	270.1	20,000*	100	
	110	70.0	270.3	20,000*	71.6	269.0	20,000*	73.2	266.2	20,000*	110	
	120	67.8	266.1	20,000*	69.4	264.8	20,000*	70.9	262.0	20,000*	120	
	130	65.6	261.4	20,000*	67.2	260.1	20,000*	68.7	257.2	20,000*	130	
	140	63.3	256.3	19,800	64.9	254.9	20,000*	66.4	252.0	20,000*	140	
	150	61.0	250.6	17,100	62.6	249.2	17,900	64.0	246.2	18,700	150	
	160	58.6	244.3	14,900	60.2	242.9	15,600	61.6	239.8	16,200	160	
	170	56.2	237.5	12,900	57.7	236.0	13,500	59.1	232.8	14,100	170	
	180	53.6	230.0	11,100	55.2	228.4	11,700	56.5	225.2	12,200	180	
190	51.0	221.8	9,500	52.5	220.2	10,000				190		
200	48.3	212.7	8,100*	49.8	211.0	8,600				200		
210	45.4	202.8	6,600*	46.9	201.0	7,100*				210		
220	42.4	191.7	5,100*							220		



# LIFT CRANE JIB CAPACITIES

MEETS  
ANSI B30.5  
REQUIREMENTS

# 4100W SERIES 2

JIB NO. 123 WITH 12' 6" STRUT ON  
BOOM NO. 22C WITH OPEN THROAT TOP  
OFFSET 4-1/2 DEGREES - 146,400 LB. CRANE COUNTERWEIGHT  
60,000 LB. CARBODY COUNTERWEIGHT  
26' 6" CRAWLERS EXTENDED

## 60 FOOT JIB

BOOM LGTH. FEET	JIB OPER. RAD. FEET	0 DEGREE OFFSET			10 DEGREE OFFSET			20 DEGREE OFFSET			JIB OPER. RAD. FEET
		BOOM ANG. DEG.	JIB POINT ELEV. FEET	CAPACITY POUNDS	BOOM ANG. DEG.	JIB POINT ELEV. FEET	CAPACITY POUNDS	BOOM ANG. DEG.	JIB POINT ELEV. FEET	CAPACITY POUNDS	
<b>110</b>	45	79.5	176.0	10,000*							45
	50	77.8	174.7	10,000*							50
	55	76.1	173.3	10,000*	79.4	172.3	10,000*				55
	60	74.4	171.7	10,000*	77.6	170.7	10,000*	80.9	168.4	10,000*	60
	65	72.6	169.9	10,000*	75.9	168.9	10,000*	79.1	166.6	10,000*	65
	70	70.8	168.0	10,000*	74.1	167.0	10,000*	77.3	164.6	10,000*	70
	75	69.1	165.9	10,000*	72.3	164.9	10,000*	75.5	162.4	10,000*	75
	80	67.2	163.6	10,000*	70.5	162.5	10,000*	73.6	160.1	10,000*	80
	90	63.5	158.4	10,000*	66.7	157.3	10,000*	69.8	154.8	10,000*	90
	100	59.7	152.3	10,000*	62.8	151.2	10,000*	65.9	148.5	10,000*	100
	110	55.6	145.2	10,000*	58.8	144.1	10,000*	61.7	141.3	10,000*	110
	120	51.4	137.0	10,000*	54.5	135.8	10,000*	57.3	132.8	10,000*	120
	130	46.8	127.5	10,000*	49.8	126.1	10,000*				130
	140	41.8	116.1	10,000*	44.8	114.6	10,000*				140
	150	36.2	102.4	10,000*							150
<b>120</b>	45	80.1	186.2	10,000*							45
	50	78.5	185.0	10,000*							50
	55	76.9	183.7	10,000*	80.0	182.7	10,000*				55
	60	75.2	182.2	10,000*	78.3	181.2	10,000*				60
	65	73.6	180.5	10,000*	76.7	179.5	10,000*	79.8	177.1	10,000*	65
	70	71.9	178.7	10,000*	75.0	177.7	10,000*	78.1	175.2	10,000*	70
	75	70.3	176.7	10,000*	73.3	175.7	10,000*	76.4	173.2	10,000*	75
	80	68.6	174.6	10,000*	71.6	173.5	10,000*	74.6	171.0	10,000*	80
	90	65.1	169.7	10,000*	68.1	168.6	10,000*	71.1	166.0	10,000*	90
	100	61.5	164.1	10,000*	64.5	163.0	10,000*	67.4	160.3	10,000*	100
	110	57.8	157.6	10,000*	60.8	156.4	10,000*	63.6	153.6	10,000*	110
	120	53.9	150.1	10,000*	56.8	148.8	10,000*	59.6	145.9	10,000*	120
	130	49.8	141.5	10,000*	52.7	140.1	10,000*	55.3	137.0	10,000*	130
	140	45.3	131.4	10,000*	48.2	130.0	10,000*				140
	150	40.5	119.6	10,000*							150
160	35.1	105.3	10,000*							160	
<b>130</b>	45	80.6	196.4	10,000*							45
	50	79.1	195.3	10,000*							50
	55	77.6	194.0	10,000*	80.5	193.0	10,000*				55
	60	76.0	192.6	10,000*	79.0	191.6	10,000*				60
	65	74.5	191.1	10,000*	77.4	190.0	10,000*	80.3	187.5	10,000*	65
	70	72.9	189.4	10,000*	75.8	188.3	10,000*	78.7	185.8	10,000*	70
	75	71.3	187.5	10,000*	74.3	186.4	10,000*	77.1	183.9	10,000*	75
	80	69.7	185.5	10,000*	72.6	184.4	10,000*	75.5	181.8	10,000*	80
	90	66.5	180.9	10,000*	69.4	179.8	10,000*	72.2	177.2	10,000*	90
	100	63.2	175.7	10,000*	66.0	174.5	10,000*	68.8	171.8	10,000*	100
	110	59.7	169.6	10,000*	62.5	168.4	10,000*	65.2	165.6	10,000*	110
	120	56.1	162.7	10,000*	58.9	161.5	10,000*	61.5	158.5	10,000*	120
	130	52.3	154.8	10,000*	55.1	153.5	10,000*	57.6	150.4	10,000*	130
	140	48.3	145.7	10,000*	51.1	144.3	10,000*				140
	150	44.0	135.2	10,000*	46.7	133.7	10,000*				150
160	39.3	122.9	10,000*							160	
<b>140</b>	50	79.6	205.6	10,000*							50
	55	78.2	204.4	10,000*	81.0	203.3	10,000*				55
	60	76.7	203.0	10,000*	79.5	201.9	10,000*				60
	65	75.3	201.6	10,000*	78.1	200.5	10,000*	80.8	197.9	10,000*	65
	70	73.8	199.9	10,000*	76.6	198.8	10,000*	79.3	196.3	10,000*	70
	75	72.3	198.2	10,000*	75.1	197.1	10,000*	77.8	194.5	10,000*	75
	80	70.8	196.3	10,000*	73.6	195.1	10,000*	76.3	192.5	10,000*	80
	90	67.7	192.0	10,000*	70.5	190.8	10,000*	73.1	188.2	10,000*	90
	100	64.6	187.1	10,000*	67.3	185.9	10,000*	69.9	183.1	10,000*	100
	110	61.4	181.4	10,000*	64.1	180.2	10,000*	66.6	177.3	10,000*	110
	120	58.0	175.0	10,000*	60.7	173.7	10,000*	63.2	170.7	10,000*	120
	130	54.5	167.7	10,000*	57.2	166.3	10,000*	59.6	163.2	10,000*	130
	140	50.9	159.4	10,000*	53.5	157.9	10,000*	55.9	154.7	10,000*	140
	150	47.0	149.9	10,000*	49.6	148.4	10,000*				150
	160	42.8	138.9	10,000*	45.4	137.3	10,000*				160
170	38.3	126.2	10,000*							170	



# LIFT CRANE JIB CAPACITIES

MEETS  
ANSI B30.5  
REQUIREMENTS

# 4100W SERIES 2

JIB NO. 123 WITH 12' 6" STRUT ON  
BOOM NO. 22C WITH OPEN THROAT TOP  
OFFSET 4-1/2 DEGREES - 146,400 LB. CRANE COUNTERWEIGHT  
60,000 LB. CARBODY COUNTERWEIGHT  
26' 6" CRAWLERS EXTENDED

## 60 FOOT JIB

BOOM LGTH. FEET	JIB OPER. RAD. FEET	0 DEGREE OFFSET			10 DEGREE OFFSET			20 DEGREE OFFSET			JIB OPER. RAD. FEET
		BOOM ANG. DEG.	JIB POINT ELEV. FEET	CAPACITY POUNDS	BOOM ANG. DEG.	JIB POINT ELEV. FEET	CAPACITY POUNDS	BOOM ANG. DEG.	JIB POINT ELEV. FEET	CAPACITY POUNDS	
<b>150</b>	50	80.1	215.8	10,000*							50
	55	78.8	214.7	10,000*							55
	60	77.4	213.4	10,000*	80.0	212.3	10,000*				60
	65	76.0	212.0	10,000*	78.6	210.9	10,000*				65
	70	74.6	210.5	10,000*	77.2	209.3	10,000*	79.9	206.7	10,000*	70
	75	73.2	208.8	10,000*	75.8	207.6	10,000*	78.4	205.0	10,000*	75
	80	71.7	207.0	10,000*	74.4	205.8	10,000*	77.0	203.2	10,000*	80
	90	68.9	202.9	10,000*	71.5	201.8	10,000*	74.0	199.0	10,000*	90
	100	65.9	198.3	10,000*	68.5	197.1	10,000*	71.0	194.3	10,000*	100
	110	62.9	193.0	10,000*	65.4	191.7	10,000*	67.9	188.9	10,000*	110
	120	59.7	187.0	10,000*	62.3	185.7	10,000*	64.7	182.7	10,000*	120
	130	56.5	180.2	10,000*	59.0	178.8	10,000*	61.4	175.7	10,000*	130
	140	53.1	172.5	10,000*	55.6	171.1	10,000*	57.9	167.8	10,000*	140
	150	49.5	163.8	10,000*	52.0	162.3	10,000*				150
	160	45.8	153.9	10,000*	48.2	152.3	10,000*				160
	170	41.7	142.6	10,000*							170
	180	37.3	129.4	10,000*							180
	<b>160</b>	50	80.6	226.0	10,000*						
55		79.3	224.9	10,000*							55
60		78.0	223.7	10,000*	80.5	222.6	10,000*				60
65		76.6	222.4	10,000*	79.2	221.2	10,000*				65
70		75.3	220.9	10,000*	77.8	219.8	10,000*	80.3	217.1	10,000*	70
75		74.0	219.3	10,000*	76.5	218.2	10,000*	79.0	215.5	10,000*	75
80		72.6	217.6	10,000*	75.1	216.4	10,000*	77.6	213.7	10,000*	80
90		69.9	213.8	10,000*	72.4	212.6	10,000*	74.8	209.8	10,000*	90
100		67.1	209.4	10,000*	69.5	208.1	10,000*	71.9	205.3	10,000*	100
110		64.2	204.4	10,000*	66.7	203.1	10,000*	69.0	200.2	10,000*	110
120		61.2	198.7	10,000*	63.7	197.4	10,000*	66.0	194.4	10,000*	120
130		58.2	192.3	10,000*	60.6	191.0	10,000*	62.9	187.9	10,000*	130
140		55.1	185.2	10,000*	57.5	183.8	10,000*	59.7	180.6	10,000*	140
150		51.8	177.1	10,000*	54.1	175.7	10,000*	56.3	172.3	10,000*	150
160		48.3	168.1	10,000*	50.6	166.5	10,000*				160
170		44.6	157.8	10,000*	46.9	156.2	10,000*				170
180		40.7	146.1	10,000*							180
190		36.4	132.5	10,000*							190
<b>170</b>	50	81.0	236.2	10,000*							50
	55	79.7	235.2	10,000*							55
	60	78.5	234.0	10,000*	80.9	232.8	10,000*				60
	65	77.2	232.7	10,000*	79.7	231.6	10,000*				65
	70	75.9	231.3	10,000*	78.4	230.2	10,000*	80.8	227.5	10,000*	70
	75	74.7	229.8	10,000*	77.1	228.6	10,000*	79.5	225.9	10,000*	75
	80	73.4	228.2	10,000*	75.8	227.0	10,000*	78.2	224.3	10,000*	80
	90	70.8	224.5	10,000*	73.2	223.3	10,000*	75.5	220.5	10,000*	90
	100	68.1	220.4	10,000*	70.5	219.1	10,000*	72.8	216.3	10,000*	100
	110	65.4	215.6	10,000*	67.8	214.3	10,000*	70.0	211.4	10,000*	110
	120	62.6	210.3	10,000*	65.0	209.0	10,000*	67.2	206.0	10,000*	120
	130	59.7	204.3	10,000*	62.1	202.9	10,000*	64.3	199.9	10,000*	130
	140	56.8	197.6	10,000*	59.1	196.2	10,000*	61.2	193.0	10,000*	140
	150	53.7	190.1	10,000*	56.0	188.6	10,000*	58.1	185.3	10,000*	150
	160	50.5	181.7	10,000*	52.8	180.2	10,000*				160
	170	47.2	172.3	10,000*	49.4	170.7	10,000*				170
	180	43.6	161.6	10,000*	45.8	159.9	10,000*				180
	190	39.7	149.5	10,000*							190
200	35.5	135.5	10,000*							200	



# LIFT CRANE JIB CAPACITIES

MEETS  
ANSI B30.5  
REQUIREMENTS

# 4100W SERIES 2

JIB NO. 123 WITH 12' 6" STRUT ON  
BOOM NO. 22C WITH OPEN THROAT TOP  
OFFSET 4-1/2 DEGREES - 146,400 LB. CRANE COUNTERWEIGHT  
60,000 LB. CARBODY COUNTERWEIGHT  
26' 6" CRAWLERS EXTENDED

## 60 FOOT JIB

BOOM LGTH. FEET	JIB OPER. RAD. FEET	0 DEGREE OFFSET			10 DEGREE OFFSET			20 DEGREE OFFSET			JIB OPER. RAD. FEET	
		BOOM ANG. DEG.	JIB POINT ELEV. FEET	CAPACITY POUNDS	BOOM ANG. DEG.	JIB POINT ELEV. FEET	CAPACITY POUNDS	BOOM ANG. DEG.	JIB POINT ELEV. FEET	CAPACITY POUNDS		
<b>180</b>	55	80.2	245.4	10,000*							55	
	60	79.0	244.3	10,000*							60	
	65	77.8	243.1	10,000*	80.1	241.9	10,000*				65	
	70	76.5	241.7	10,000*	78.9	240.5	10,000*				70	
	75	75.3	240.3	10,000*	77.6	239.1	10,000*	79.9	236.3	10,000*	75	
	80	74.1	238.7	10,000*	76.4	237.5	10,000*	78.7	234.7	10,000*	80	
	90	71.6	235.2	10,000*	73.9	234.0	10,000*	76.1	231.2	10,000*	90	
	100	69.1	231.3	10,000*	71.3	230.0	10,000*	73.6	227.1	10,000*	100	
	110	66.5	226.8	10,000*	68.8	225.5	10,000*	70.9	222.5	10,000*	110	
	120	63.8	221.7	10,000*	66.1	220.4	10,000*	68.2	217.4	10,000*	120	
	130	61.1	216.0	10,000*	63.4	214.7	10,000*	65.5	211.6	10,000*	130	
	140	58.4	209.7	10,000*	60.6	208.3	10,000*	62.6	205.1	10,000*	140	
	150	55.5	202.7	10,000*	57.7	201.2	10,000*	59.7	197.9	10,000*	150	
	160	52.5	194.8	10,000*	54.7	193.3	10,000*	56.6	189.9	10,000*	160	
	170	49.4	186.1	10,000*	51.5	184.5	10,000*				170	
	180	46.1	176.4	10,000*	48.2	174.7	10,000*				180	
	190	42.6	165.4	10,000*	44.7	163.6	10,000*				190	
	200	38.8	152.9	10,000*							200	
	<b>190</b>	55	80.6	255.6	10,000*							55
		60	79.4	254.5	10,000*							60
65		78.3	253.4	10,000*	80.5	252.1	10,000*				65	
70		77.1	252.1	10,000*	79.3	250.9	10,000*				70	
75		75.9	250.7	10,000*	78.1	249.5	10,000*	80.3	246.7	10,000*	75	
80		74.7	249.2	10,000*	77.0	248.0	10,000*	79.1	245.2	10,000*	80	
90		72.4	245.9	10,000*	74.6	244.6	10,000*	76.7	241.8	10,000*	90	
100		69.9	242.1	10,000*	72.1	240.8	10,000*	74.3	237.9	10,000*	100	
110		67.5	237.8	10,000*	69.7	236.5	10,000*	71.8	233.5	10,000*	110	
120		65.0	233.0	10,000*	67.1	231.6	10,000*	69.2	228.6	10,000*	120	
130		62.4	227.6	10,000*	64.6	226.2	10,000*	66.6	223.1	10,000*	130	
140		59.8	221.6	10,000*	61.9	220.2	10,000*	63.9	217.0	10,000*	140	
150		57.1	215.0	10,000*	59.2	213.5	10,000*	61.1	210.3	10,000*	150	
160		54.3	207.6	10,000*	56.4	206.1	10,000*	58.3	202.7	10,000*	160	
170	51.3	199.5	10,000*	53.4	197.9	10,000*	55.3	194.4	10,000*	170		
180	48.3	190.4	10,000*	50.3	188.8	10,000*				180		
190	45.1	180.3	10,000*	47.1	178.6	10,000*				190		
200	41.7	169.0	10,000*							200		
210	38.0	156.1	9,200							210		
<b>200</b>	55	80.9	265.8	10,000*							55	
	60	79.8	264.8	10,000*							60	
	65	78.7	263.6	10,000*	80.9	262.4	10,000*				65	
	70	77.6	262.4	10,000*	79.7	261.2	10,000*				70	
	75	76.5	261.1	10,000*	78.6	259.8	10,000*	80.7	257.0	10,000*	75	
	80	75.3	259.7	10,000*	77.5	258.4	10,000*	79.6	255.6	10,000*	80	
	90	73.1	256.5	10,000*	75.2	255.2	10,000*	77.3	252.3	10,000*	90	
	100	70.7	252.8	10,000*	72.9	251.5	10,000*	74.9	248.6	10,000*	100	
	110	68.4	248.7	10,000*	70.5	247.4	10,000*	72.5	244.4	10,000*	110	
	120	66.0	244.1	10,000*	68.1	242.8	10,000*	70.1	239.8	10,000*	120	
	130	63.6	239.0	10,000*	65.6	237.6	10,000*	67.6	234.5	10,000*	130	
	140	61.1	233.3	10,000*	63.1	231.9	10,000*	65.0	228.8	10,000*	140	
	150	58.5	227.1	10,000*	60.5	225.6	10,000*	62.4	222.3	10,000*	150	
	160	55.8	220.1	10,000*	57.9	218.6	10,000*	59.7	215.3	10,000*	160	
170	53.1	212.5	10,000*	55.1	210.9	10,000*	56.9	207.4	10,000*	170		
180	50.3	204.0	10,000*	52.2	202.4	10,000*				180		
190	47.3	194.7	10,000*	49.2	193.0	10,000*				190		
200	44.1	184.2	9,800	46.1	182.4	10,000*				200		
210	40.8	172.6	8,600							210		
220	37.2	159.4	7,400*							220		



# LIFT CRANE JIB CAPACITIES

MEETS  
ANSI B30.5  
REQUIREMENTS

# 4100W SERIES 2

JIB NO. 123 WITH 12' 6" STRUT ON  
BOOM NO. 22C WITH OPEN THROAT TOP  
OFFSET 4-1/2 DEGREES - 146,400 LB. CRANE COUNTERWEIGHT  
60,000 LB. CARBODY COUNTERWEIGHT  
26' 6" CRAWLERS EXTENDED

## 60 FOOT JIB

BOOM LGTH. FEET	JIB OPER. RAD. FEET	0 DEGREE OFFSET			10 DEGREE OFFSET			20 DEGREE OFFSET			JIB OPER. RAD. FEET
		BOOM ANG. DEG.	JIB POINT ELEV. FEET	CAPACITY POUNDS	BOOM ANG. DEG.	JIB POINT ELEV. FEET	CAPACITY POUNDS	BOOM ANG. DEG.	JIB POINT ELEV. FEET	CAPACITY POUNDS	
<b>210</b>	60	80.2	275.0	10,000*							60
	65	79.1	273.9	10,000*							65
	70	78.1	272.7	10,000*	80.1	271.5	10,000*				70
	75	77.0	271.4	10,000*	79.0	270.2	10,000*				75
	80	75.9	270.1	10,000*	77.9	268.8	10,000*	80.0	265.9	10,000*	80
	90	73.7	267.0	10,000*	75.7	265.7	10,000*	77.8	262.8	10,000*	90
	100	71.5	263.5	10,000*	73.5	262.2	10,000*	75.5	259.3	10,000*	100
	110	69.2	259.6	10,000*	71.3	258.3	10,000*	73.2	255.3	10,000*	110
	120	66.9	255.2	10,000*	69.0	253.8	10,000*	70.9	250.8	10,000*	120
	130	64.6	250.3	10,000*	66.6	248.9	10,000*	68.5	245.8	10,000*	130
	140	62.2	244.9	10,000*	64.2	243.5	10,000*	66.1	240.3	10,000*	140
	150	59.8	238.9	10,000*	61.8	237.5	10,000*	63.6	234.2	10,000*	150
	160	57.3	232.4	10,000*	59.2	230.9	10,000*	61.0	227.5	10,000*	160
	170	54.7	225.2	10,000*	56.6	223.6	10,000*	58.4	220.1	10,000*	170
	180	52.0	217.2	10,000*	53.9	215.6	10,000*	55.7	212.0	10,000*	180
	190	49.2	208.5	10,000*	51.1	206.8	10,000*				190
	200	46.3	198.8	9,400	48.2	197.0	9,900				200
	210	43.3	188.1	8,100	45.1	186.2	8,600				210
	220	40.0	176.1	6,900*							220
	230	36.5	162.5	5,600*							230
<b>220</b>	60	80.5	285.2	10,000*							60
	65	79.5	284.1	10,000*							65
	70	78.5	283.0	10,000*	80.5	281.7	10,000*				70
	75	77.4	281.8	10,000*	79.4	280.5	10,000*				75
	80	76.4	280.4	10,000*	78.4	279.2	10,000*	80.4	276.3	10,000*	80
	90	74.3	277.5	10,000*	76.3	276.2	10,000*	78.2	273.3	10,000*	90
	100	72.2	274.2	10,000*	74.1	272.8	10,000*	76.0	269.9	10,000*	100
	110	70.0	270.4	10,000*	72.0	269.0	10,000*	73.9	266.0	10,000*	110
	120	67.8	266.2	10,000*	69.8	264.8	10,000*	71.6	261.8	10,000*	120
	130	65.6	261.5	10,000*	67.5	260.1	10,000*	69.4	257.0	10,000*	130
	140	63.3	256.3	10,000*	65.2	254.9	10,000*	67.0	251.7	10,000*	140
	150	61.0	250.6	10,000*	62.9	249.2	10,000*	64.7	245.9	10,000*	150
	160	58.6	244.4	10,000*	60.5	242.9	10,000*	62.2	239.6	10,000*	160
	170	56.1	237.6	10,000*	58.0	236.0	10,000*	59.7	232.6	10,000*	170
	180	53.6	230.1	10,000*	55.5	228.5	10,000*	57.2	224.9	10,000*	180
	190	51.0	221.8	10,000*	52.8	220.2	10,000*				190
	200	48.3	212.8	8,800	50.1	211.1	9,400				200
	210	45.4	202.8	7,500*	47.2	201.0	8,000				210
	220	42.4	191.8	6,100*							220
	230	39.2	179.5	4,800*							230
<b>230</b>	60	80.9	295.3	10,000*							60
	65	79.9	294.3	10,000*							65
	70	78.9	293.3	10,000*	80.8	292.0	10,000*				70
	75	77.9	292.1	10,000*	79.8	290.8	10,000*				75
	80	76.9	290.8	10,000*	78.8	289.5	10,000*	80.7	286.6	10,000*	80
	90	74.8	288.0	10,000*	76.8	286.6	10,000*	78.6	283.7	10,000*	90
	100	72.8	284.7	10,000*	74.7	283.4	10,000*	76.6	280.4	10,000*	100
	110	70.7	281.1	10,000*	72.6	279.8	10,000*	74.4	276.7	10,000*	110
	120	68.6	277.1	10,000*	70.5	275.7	10,000*	72.3	272.6	10,000*	120
	130	66.5	272.6	10,000*	68.3	271.2	10,000*	70.1	268.1	10,000*	130
	140	64.3	267.6	10,000*	66.2	266.2	10,000*	67.9	263.0	10,000*	140
	150	62.1	262.2	10,000*	63.9	260.8	10,000*	65.7	257.5	10,000*	150
	160	59.8	256.3	10,000*	61.6	254.8	10,000*	63.3	251.4	10,000*	160
	170	57.5	249.7	10,000*	59.3	248.2	10,000*	61.0	244.8	10,000*	170
	180	55.1	242.6	10,000*	56.9	241.1	10,000*	58.5	237.5	10,000*	180
	190	52.6	234.9	9,700	54.4	233.2	10,000*	56.0	229.6	10,000*	190
	200	50.0	226.4	8,300	51.8	224.7	8,900				200
	210	47.4	217.0	6,800*	49.1	215.3	7,500*				210
	220	44.6	206.8	5,400*	46.3	204.9	6,000*				220
	230	41.6	195.5	4,100*							230



# JIB LIFTING CAPACITIES

MEETS  
ANSI B30.5  
REQUIREMENTS

**4100W**  
**SERIES-2**

**JIB NO. 123 WITH 12'6" STRUT ON**  
**BOOM NO. 22C WITH OPEN THROAT TOP OFFSET 4½ DEGREES**  
**26'6" CRAWLERS-EXTENDED**

**0 DEGREE JIB OFFSET ANGLE**

Chart supplements boom capacity chart No. 6934-B. Capacities are for freely suspended loads based on tipping, strength of structural components or other factors. Crane operator judgment must be used to allow for dynamic load effects of swinging, hoisting or lowering, travel, as well as adverse operating conditions and physical machine depreciation.

the horizontal distance from the axis of rotation to the center of vertical hoist line or load block. Weight of all load blocks, hooks, weight ball, slings, hoist lines beneath boom and jib point sheaves, etc., including those on the main boom is considered part of the jib load. Boom and jib are not to be lowered beyond radii where combined weights are greater than rated capacity. Maximum capacity on 1½" — 6 x 31 IPS, IWRC is 28,300 lbs./line. Refer to jib assembly No. 43730.

Capacities do not exceed **75%** of a static tipping load with machine on firm level surface. Capacities based on structural competence are denoted by shaded areas. Operating radius is

30 FOOT JIB	JIB POINT RADIUS: FEET	CAPACITIES IN POUNDS				JIB POINT RADIUS: FEET
		BOOM LENGTH — FEET				
		70	80	90	100	
	60 *	40,000	40,000	40,000	40,000	60 *
	65	40,000	40,000	40,000	40,000	65
	70	40,000	40,000	40,000	40,000	70
	75	40,000	40,000	40,000	40,000	75
	80	39,100	40,000	40,000	40,000	80
	85	38,800	40,000	40,000	40,000	85
	90	34,700	37,800	40,000	40,000	90
	95		35,800	40,000	40,000	95
	100		34,000	38,300	40,000	100
	105			36,600	39,100	105
	110				37,500	110
	115				36,000	115

40 FOOT JIB	JIB POINT RADIUS: FEET	CAPACITIES IN POUNDS				JIB POINT RADIUS: FEET
		BOOM LENGTH — FEET				
		70	80	90	100	
	75 *	30,000	30,000	30,000	30,000	75 *
	80	30,000	30,000	30,000	30,000	80
	85	29,800	30,000	30,000	30,000	85
	90	28,100	30,000	30,000	30,000	90
	95	26,500	28,700	30,000	30,000	95
	100	25,200	27,300	30,000	30,000	100
	105		25,900	29,000	30,000	105
	110			27,700	29,500	110
	115			26,600	28,300	115
	120				27,200	120

50 FOOT JIB	JIB POINT RADIUS: FEET	CAPACITIES IN POUNDS				JIB POINT RADIUS: FEET
		BOOM LENGTH — FEET				
		70	80	90	100	
	95 *	20,000	20,000	20,000	20,000	95 *
	100	20,000	20,000	20,000	20,000	100
	105	20,000	20,000	20,000	20,000	105
	110	19,600	20,000	20,000	20,000	110
	115		20,000	20,000	20,000	115
	120			20,000	20,000	120
	125			20,000	20,000	125
	130				20,000	130

60 FOOT JIB	JIB POINT RADIUS: FEET	CAPACITIES IN POUNDS				JIB POINT RADIUS: FEET
		BOOM LENGTH — FEET				
		70	80	90	100	
	115 *	10,000	10,000	10,000	10,000	115 *
	120		10,000	10,000	10,000	120
	125		10,000	10,000	10,000	125
	130			10,000	10,000	130
	135			10,000	10,000	135
	140				10,000	140

\* These capacities apply for ALL lesser radii obtainable.



# JIB LIFTING CAPACITIES

MEETS  
ANSI B30.5  
REQUIREMENTS

**4100W**  
**SERIES-2**

JIB NO. 123 WITH 12'6" STRUT ON  
BOOM NO. 22C WITH OPEN THROAT TOP OFFSET 4½ DEGREES  
26'6" CRAWLERS-EXTENDED

**10 DEGREE JIB OFFSET ANGLE**

Chart supplements boom capacity chart No. 6934-B. Capacities are for freely suspended loads based on tipping, strength of structural components or other factors. Crane operator judgment must be used to allow for dynamic load effects of swinging, hoisting or lowering, travel, as well as adverse operating conditions and physical machine depreciation.

Capacities do not exceed **75%** of a static tipping load with machine on firm level surface. Capacities based on structural competence are denoted by shaded areas. Operating radius is

the horizontal distance from the axis of rotation to the center of vertical hoist line or load block. Weight of all load blocks, hooks, weight ball, slings, hoist lines beneath boom and jib point sheaves, etc., including those on the main boom is considered part of the jib load. Boom and jib are not to be lowered beyond radii where combined weights are greater than rated capacity. Maximum capacity on 1½" — 6 x 31 IPS, IWRC is 28,300 lbs./line. Refer to jib assembly No. 43730.

30 FOOT JIB	JIB POINT RADIUS: FEET	CAPACITIES IN POUNDS				JIB POINT RADIUS: FEET
		BOOM LENGTH — FEET				
		70	80	90	100	
	45 *	40,000	40,000	40,000	40,000	45 *
	50	40,000	40,000	40,000	40,000	50
	55	40,000	40,000	40,000	40,000	55
	60	40,000	40,000	40,000	40,000	60
	65	40,000	40,000	40,000	40,000	65
	70	38,500	40,000	40,000	40,000	70
	75	36,500	39,000	40,000	40,000	75
	80	34,700	37,100	40,000	40,000	80
	85		35,400	38,800	40,000	85
	90		33,900	37,200	39,000	90
	95			35,700	37,500	95
	100				36,200	100

40 FOOT JIB	JIB POINT RADIUS: FEET	CAPACITIES IN POUNDS				JIB POINT RADIUS: FEET
		BOOM LENGTH — FEET				
		70	80	90	100	
	65 *	30,000	30,000	30,000	30,000	65 *
	70	30,000	30,000	30,000	30,000	70
	75	29,200	30,000	30,000	30,000	75
	80	27,700	29,500	30,000	30,000	80
	85	26,400	28,100	30,000	30,000	85
	90	25,200	26,900	29,300	30,000	90
	95		25,700	28,100	29,500	95
	100		24,700	27,100	28,400	100
	105			26,100	27,300	105
	110				26,400	110

50 FOOT JIB	JIB POINT RADIUS: FEET	CAPACITIES IN POUNDS				JIB POINT RADIUS: FEET
		BOOM LENGTH — FEET				
		70	80	90	100	
	85 *	20,000	20,000	20,000	20,000	85 *
	90	20,000	20,000	20,000	20,000	90
	95	20,000	20,000	20,000	20,000	95
	100	19,600	20,000	20,000	20,000	100
	105		20,000	20,000	20,000	105
	110		19,200	20,000	20,000	110
	115			20,000	20,000	115
	120				20,000	120

60 FOOT JIB	JIB POINT RADIUS: FEET	CAPACITIES IN POUNDS				JIB POINT RADIUS: FEET
		BOOM LENGTH — FEET				
		70	80	90	100	
	105 *	10,000	10,000	10,000	10,000	105 *
	110	10,000	10,000	10,000	10,000	110
	115		10,000	10,000	10,000	115
	120			10,000	10,000	120
	125			10,000	10,000	125
	130				10,000	130

\* These capacities apply for ALL lesser radii obtainable.



# JIB LIFTING CAPACITIES

MEETS  
ANSI B30.5  
REQUIREMENTS

**4100W**  
**SERIES-2**

**JIB NO. 123 WITH 12'6" STRUT ON  
BOOM NO. 22C WITH OPEN THROAT TOP OFFSET 4½ DEGREES  
26'6" CRAWLERS-EXTENDED**

**20 DEGREE JIB OFFSET ANGLE**

Chart supplements boom capacity chart No. 6934-B. Capacities are for freely suspended loads based on tipping, strength of structural components or other factors. Crane operator judgment must be used to allow for dynamic load effects of swinging, hoisting or lowering, travel, as well as adverse operating conditions and physical machine depreciation.

Capacities do not exceed **75%** of a static tipping load with machine on firm level surface. Capacities based on structural competence are denoted by shaded areas. Operating radius is

the horizontal distance from the axis of rotation to the center of vertical hoist line or load block. Weight of all load blocks, hooks, weight ball, slings, hoist lines beneath boom and jib point sheaves, etc., including those on the main boom is considered part of the jib load. Boom and jib are not to be lowered beyond radii where combined weights are greater than rated capacity. Maximum capacity on 1½" — 6 x 31 IPS, IWRC is 28,300 lbs./line. Refer to jib assembly No. 43730.

30 FOOT JIB	JIB POINT RADIUS: FEET	CAPACITIES IN POUNDS				JIB POINT RADIUS: FEET
		BOOM LENGTH — FEET				
		70	80	90	100	
	40	40,000	40,000	40,000		40
	45	40,000	40,000	40,000	40,000	45
	50	40,000	40,000	40,000	40,000	50
	55	38,800	40,000	40,000	40,000	55
	60	36,500	36,400	40,000	40,000	60
	65	34,800	36,600	38,900	40,000	65
	70	33,200	36,000	37,300	38,500	70
	75	31,800	33,600	35,800	37,000	75
	80		32,300	34,500	35,700	80
	85			33,400	34,600	85
	90				33,500	90

40 FOOT JIB	JIB POINT RADIUS: FEET	CAPACITIES IN POUNDS				JIB POINT RADIUS: FEET
		BOOM LENGTH — FEET				
		70	80	90	100	
	55 *	30,000	30,000	30,000	30,000	55 *
	60	29,200	30,000	30,000	30,000	60
	65	27,700	29,000	30,000	30,000	65
	70	26,900	27,600	29,300	30,000	70
	75	25,200	26,400	28,100	29,000	75
	80	24,100	25,400	27,000	27,900	80
	85		24,400	26,100	26,900	85
	90			25,200	26,000	90
	95				25,200	95
	100				24,500	100

50 FOOT JIB	JIB POINT RADIUS: FEET	CAPACITIES IN POUNDS				JIB POINT RADIUS: FEET
		BOOM LENGTH — FEET				
		70	80	90	100	
	70 *	20,000	20,000	20,000	20,000	70 *
	75	20,000	20,000	20,000	20,000	75
	80	20,000	20,000	20,000	20,000	80
	85	19,500	20,000	20,000	20,000	85
	90	18,800	19,700	20,000	20,000	90
	95		19,000	20,000	20,000	95
	100			19,600	20,000	100
	105				19,700	105

60 FOOT JIB	JIB POINT RADIUS: FEET	CAPACITIES IN POUNDS				JIB POINT RADIUS: FEET
		BOOM LENGTH — FEET				
		70	80	90	100	
	90 *	10,000	10,000	10,000	10,000	90 *
	95	10,000	10,000	10,000	10,000	95
	100	10,000	10,000	10,000	10,000	100
	105		10,000	10,000	10,000	105
	110			10,000	10,000	110
	115				10,000	115

\* These capacities apply for ALL lesser radii obtainable.



# LIFTCRANE CAPACITIES

MEETS  
ANSI B30.5  
REQUIREMENTS

# 4100W SERIES 2 CRAWLER

**BOOM NO. 22A WITH HAMMERHEAD TOP**  
**146,400 LB. CRANE COUNTERWEIGHT**  
**60,000 LB. CARBODY COUNTERWEIGHT**  
**26'6" CRAWLERS EXTENDED**

**WARNING:** This chart will apply only when two 12,000 lb. side ctwts. and two 30,000 lb. carbody ctwts. bear MEC registered Serial Numbers.

**LIFTING CAPACITIES:** Capacities for various boom lengths and operating radii are for freely suspended loads and do not exceed **75%** of a static tipping load. Capacities based on structural competence are shown by shaded areas.

Upper boom point capacity for liftcrane service with single part whip line is 28,300 lbs. In all cases, upper boom point capacities cannot exceed those listed for the main boom capacity.

Capacities are shown in pounds. Weight of jib, (see chart A), all load blocks, hooks, weight ball, slings, hoist lines, etc., beneath boom and jib point sheaves, is to be considered part of the main boom load. Boom is not to be lowered beyond radii where combined weights are greater than rated capacity. Where no capacity is shown, operation is not intended or approved.

**OPERATING CONDITIONS:** Machine to operate in a level position on a firm surface with crawlers fully extended and gantry up. Refer to rigging No. 190993 and load line specification chart No. 6605-A.

Crane operator judgment must be used to allow for dynamic load effects of swinging, hoisting or lowering, travel, wind conditions, as well as adverse operating conditions and physical machine depreciation.

**OPERATING RADIUS:** Operating radius is the horizontal distance from the axis of rotation to the center of vertical hoist line or load block with the load freely suspended. Add 14" to boom point radius for radius of sheave when using single part hoist line.

Boom angle is the angle between horizontal and centerline of boom butt and inserts and is an indication of operating radius. In all cases, operating radius shall govern capacity.

**BOOM POINT ELEVATION:** Boom point elevation, in feet, is the vertical distance from ground level to centerline of boom point shaft.

**MACHINE EQUIPMENT:** Machine equipped with 26'6" extendible crawlers, 48" treads, 17' retractable gantry, 12 part boom hoist reeving, four 1-3/8" boom pendants, 1st ctwt. 41,900 lbs., 2nd ctwt. 41,500 lbs., 3rd ctwt. 39,000 lbs., two 12,000 lbs. side ctwt's. and two 30,000 lbs. carbody ctwt's.

HOIST REEVING FOR MAIN LOAD BLOCK						
No. Parts of Line	1	2	3	4	5	6
Max. Load — Lbs.	32,500	65,000	97,500	130,000	162,500	195,000
No. Parts of Line	7	8	9	10	11	12
Max. Load — Lbs.	227,500	260,000	292,500	325,000	357,500	400,000
No. Parts of Line	13	14				
Max. Load — Lbs.	430,000	460,000				

LOAD AND WHIP LINE SPECIFICATIONS	
<b>LOAD LINE:</b> 1-1/8" — 6x31 Warrington-Seale, Extra Improved Plow Steel, Regular Lay, IWRC. Minimum Breaking Strength 65 Ton. (Approx. Weight Per Ft. in Lbs. 2.34)	
<b>WHIP LINE:</b> 1-1/8" — 6x31 Warrington-Seale, Improved Plow Steel, Regular Lay, IWRC. Minimum Breaking Strength 56.5 Ton. Maximum Load — 28,300 Lbs. Per Line. (Approx. Weight Per Ft. in Lbs. 2.34)	

MAXIMUM BOOM AND JIB LENGTHS LIFTED UNASSISTED				(A) DEDUCT FROM CAPACITIES WHEN JIB IS ATTACHED	
OVER FRONT OF BLOCKED CRAWLERS		OVER SIDE OF EXTENDED CRAWLERS			
Boom Lgth.	Jib No. 123	Boom Lgth.	Jib No. 123	Jib Lgth.	Jib No. 123
260'	—	260'	—	30'	2,800 Lb.
250'	—	250'	—	40'	3,600 Lb.
240'	40'	240'	40'	50'	4,400 Lb.
230'	60'	230'	60'	60'	5,200 Lb.

Load block, hook and weight ball on ground at start. To comply with B30.5 requirements, upper boom point cannot be used on 260' boom.

For jib capacities, consult jib chart.

Boom Lgth.: Feet	Oper. Rad.: Feet	Boom Ang.: Deg.	Boom Point: Elev.	Capacity: Crawlers Extended	Boom Lgth.: Feet	Oper. Rad.: Feet	Boom Ang.: Deg.	Boom Point: Elev.	Capacity: Crawlers Extended	Boom Lgth.: Feet	Oper. Rad.: Feet	Boom Ang.: Deg.	Boom Point: Elev.	Capacity: Crawlers Extended	
16.5	82.4	76.0	460,000	17	83.0	86.0	379,400	18	83.1	96.0	344,200	19	83.2	105.9	332,800
17	81.9	75.9	398,900	18	82.2	85.8	376,200	19	82.5	95.8	341,100	20	82.6	105.8	323,900
18	81.1	75.7	380,100	19	81.5	85.6	361,800	20	81.8	95.6	333,900	22	81.5	105.4	307,600
19	80.3	75.5	362,900	20	80.8	85.5	346,000	22	80.5	95.2	317,300	24	80.3	105.0	285,800
20	79.4	75.2	347,100	22	79.3	85.0	318,200	24	79.2	94.8	292,200	26	79.1	104.6	261,200
22	77.8	74.7	319,300	24	77.8	84.5	292,800	26	77.9	94.3	265,100	28	78.0	104.1	236,900
24	76.1	74.2	293,500	26	76.4	84.0	265,700	28	76.6	93.8	237,200	30	76.8	103.6	213,400
26	74.3	73.5	266,400	28	74.9	83.4	237,400	30	75.3	93.2	213,800	32	75.6	103.1	194,000
28	72.6	72.8	237,700	30	73.4	82.7	214,000	32	73.9	92.6	194,400	34	74.4	102.4	177,700
30	70.9	72.1	214,400	32	71.8	82.0	194,700	34	72.6	91.9	178,100	36	73.2	101.8	163,800
32	69.1	71.2	195,000	34	70.3	81.2	178,400	36	71.2	91.2	164,200	38	72.0	101.1	151,800
34	67.3	70.3	178,800	36	68.8	80.4	164,500	38	69.9	90.4	152,200	40	70.8	100.4	141,300
36	65.5	69.3	164,900	38	67.2	79.5	152,500	40	68.5	89.5	141,800	45	67.7	98.3	120,200
38	63.6	68.3	152,900	40	65.6	78.5	142,100	45	65.0	87.2	120,700	50	64.5	95.9	104,200
40	61.7	67.1	142,500	45	61.5	75.8	121,000	50	61.3	84.4	104,700	55	61.2	93.1	91,700
45	56.8	63.8	121,500	50	57.2	72.5	105,100	55	57.6	81.2	92,200	60	57.8	89.9	81,600
50	51.6	59.9	105,500	55	52.7	68.7	92,600	60	53.6	77.5	82,100	65	54.3	86.3	73,400
55	45.9	55.1	93,100	60	47.9	64.2	82,500	65	49.4	73.3	73,900	70	50.6	82.2	66,400
60	39.6	49.1	83,000	65	42.7	58.9	74,300	70	44.9	68.3	66,900	75	46.6	77.5	60,500
65	32.1	41.5	74,700	70	36.8	52.3	67,300	75	40.0	62.4	61,000	80	42.4	72.1	55,500
70	22.3	30.5	67,800	75	29.8	44.0	61,400	80	34.5	55.3	56,000	85	37.8	65.7	51,100
				80	20.6	32.2	56,300	85	28.0	46.4	51,600	90	32.6	58.1	47,200
												95	26.4	48.6	43,800

**CAUTION! CHECK AMOUNT OF COUNTERWEIGHT ON MACHINE BEFORE USE OF THIS CHART.**

Capacities continued on reverse side.



Boom Lgth.: Feet	Oper. Rad.: Feet	Boom Ang.: Deg.	Boom Point: Elev.	Capacity: Crawlers Extended	Boom Lgth.: Feet	Oper. Rad.: Feet	Boom Ang.: Deg.	Boom Point: Elev.	Capacity: Crawlers Extended	Boom Lgth.: Feet	Oper. Rad.: Feet	Boom Ang.: Deg.	Boom Point: Elev.	Capacity: Crawlers Extended	Boom Lgth.: Feet	Oper. Rad.: Feet	Boom Ang.: Deg.	Boom Point: Elev.	Capacity: Crawlers Extended
22	82.3	115.6	287,800	26	82.8	155.4	218,500	30	82.7	185.1	178,500	34	82.7	214.9	143,000				
24	81.2	115.2	280,500	28	82.0	155.1	212,200	32	82.1	184.8	174,000	36	82.1	214.6	139,800				
26	80.1	114.8	258,100	30	81.3	154.8	204,200	34	81.4	184.5	169,500	38	81.6	214.3	136,400				
28	79.1	114.4	236,600	32	80.5	154.4	189,800	36	80.8	184.2	158,700	40	81.0	213.9	133,100				
30	78.0	113.9	213,200	34	79.7	154.0	176,200	38	80.1	183.8	149,100	45	79.6	213.0	116,200				
32	76.9	113.4	193,700	36	78.9	153.6	162,200	40	79.5	183.4	138,600	50	78.2	211.9	100,100				
34	75.9	112.9	177,400	38	78.1	153.1	150,200	45	77.9	182.3	117,300	55	76.8	210.7	87,500				
36	74.8	112.3	163,500	40	77.3	152.7	139,600	50	76.2	181.1	101,300	60	75.4	209.4	77,300				
38	73.7	111.7	151,500	45	75.4	151.3	118,500	55	74.6	179.7	88,600	65	74.0	208.0	68,900				
40	72.6	111.0	141,000	50	73.4	149.8	102,400	60	72.9	178.1	78,500	70	72.6	206.4	61,900				
45	69.8	109.1	119,900	55	71.4	148.1	89,800	65	71.2	176.4	70,200	75	71.1	204.7	56,000				
50	67.0	107.0	103,900	60	69.3	146.2	79,700	70	69.5	174.5	63,200	80	69.7	202.8	50,900				
55	64.1	104.5	91,400	65	67.2	144.1	71,400	75	67.8	172.4	57,300	85	68.2	200.8	46,500				
60	61.1	101.7	81,300	70	65.1	141.7	64,400	80	66.1	170.2	52,200	90	66.7	198.6	42,600				
65	58.0	98.6	73,000	75	63.0	139.2	58,500	85	64.3	167.8	47,800	95	65.2	196.3	39,200				
70	54.8	95.1	66,000	80	60.8	136.4	53,500	90	62.5	165.2	43,900	100	63.7	193.8	36,100				
75	51.5	91.1	60,100	85	58.6	133.3	49,000	95	60.7	162.3	40,500	105	62.1	191.1	33,400				
80	48.0	86.6	55,100	90	56.3	129.9	45,200	100	58.8	159.3	37,400	110	60.6	188.3	30,900				
85	44.3	81.5	50,700	95	53.9	126.3	41,800	105	56.9	156.0	34,700	115	59.0	185.3	28,600				
90	40.3	75.7	46,800	100	51.5	122.3	38,700	110	55.0	152.5	32,200	120	57.4	182.1	26,600				
95	35.9	68.9	43,400	105	48.9	117.9	36,000	115	53.0	148.7	30,000	125	55.7	178.7	24,700				
100	30.9	60.8	40,300	100	46.3	113.2	33,500	120	50.9	144.7	27,900	130	54.0	175.0	23,000				
105	25.1	50.7	37,600	115	43.5	107.9	31,300	125	48.8	140.3	26,100	135	52.3	171.2	21,500				
22	82.9	125.7	280,700	120	40.6	102.2	29,200	130	46.6	135.6	24,400	140	50.5	167.0	20,000				
24	82.0	125.4	272,100	125	37.5	95.7	27,400	135	44.3	130.5	22,800	145	48.7	162.7	18,700				
26	81.0	125.0	252,300	130	34.1	88.5	25,700	140	42.0	125.0	21,300	150	46.8	158.0	17,400				
28	80.0	124.6	232,000	135	30.4	80.1	24,100	145	39.5	118.9	20,000	155	44.9	153.0	16,200				
30	79.0	124.2	212,800	140	26.2	70.4	22,600	150	36.8	112.3	18,700	160	42.9	147.6	15,100				
32	78.1	123.7	193,400	145	21.2	58.3	21,300	155	34.0	105.0	17,600	165	40.8	141.9	14,100				
34	77.1	123.2	177,000	28	82.5	165.2	203,400	160	31.0	96.9	16,500	170	38.7	135.7	13,200				
36	76.1	122.7	163,100	30	81.8	164.9	197,500	165	27.6	87.6	15,400	175	36.4	128.9	12,300				
38	75.1	122.1	151,000	32	81.1	164.6	186,400	170	23.8	76.7	14,500	180	34.0	121.6	11,400				
40	74.1	121.5	140,500	34	80.4	164.2	174,100	32	82.5	195.0	164,100	185	31.4	113.5	10,600				
45	71.6	119.8	119,400	36	79.6	163.8	161,800	34	81.3	194.6	160,300	190	28.6	104.5	9,800				
50	69.0	117.9	103,400	38	78.9	163.4	149,700	36	80.7	194.0	156,300	195	25.5	94.3	9,100				
55	66.4	115.7	90,800	40	78.2	162.9	139,200	40	80.1	193.6	138,200	200	21.9	82.5	8,300				
60	63.7	113.2	80,700	45	76.3	161.7	118,000	45	78.5	192.6	116,900	34	83.0	225.0	135,300				
65	61.0	110.4	72,400	50	74.5	160.3	101,900	50	77.0	191.4	100,800	36	82.5	224.7	132,200				
70	58.2	107.3	65,500	55	72.6	158.7	89,300	55	75.4	190.1	88,200	38	82.0	224.4	129,200				
75	55.3	103.8	59,600	60	70.7	156.9	79,200	60	73.8	188.6	78,100	40	81.4	224.1	126,000				
80	52.3	99.9	54,500	65	68.7	155.0	70,900	65	72.2	187.0	69,700	45	80.1	223.2	115,800				
85	49.1	95.6	50,100	70	66.8	152.8	63,900	70	70.7	185.2	62,700	50	78.8	222.2	99,600				
90	45.8	90.8	46,300	75	64.8	150.4	58,000	75	69.0	183.3	56,800	55	77.4	221.0	87,000				
95	42.2	85.3	42,800	80	62.8	147.8	52,900	80	67.4	181.2	51,700	60	76.1	219.8	76,800				
100	38.4	79.1	39,800	85	60.7	145.0	48,500	85	65.7	178.9	47,300	65	74.7	218.4	68,400				
105	34.3	71.9	37,100	90	58.6	142.0	44,600	90	64.1	176.5	43,400	70	73.4	216.9	61,400				
110	29.5	63.3	34,600	95	56.5	138.6	41,200	95	62.4	173.8	40,000	75	72.0	215.3	55,500				
115	23.9	52.7	32,400	100	54.3	135.0	38,100	100	60.6	171.0	36,900	80	70.6	213.5	50,400				
24	82.6	135.5	253,600	105	52.0	131.1	35,400	105	58.9	168.0	34,200	85	69.2	211.6	45,900				
26	81.7	135.2	245,200	110	49.7	126.9	32,900	110	57.1	164.7	31,700	90	67.8	209.5	42,100				
28	80.8	134.8	228,400	115	47.2	122.3	30,700	115	55.2	161.2	29,500	95	66.4	207.3	38,600				
30	79.9	134.4	211,400	120	44.7	117.2	28,700	120	53.4	157.5	27,400	100	65.0	205.0	35,600				
32	79.0	134.0	193,300	125	42.0	111.7	26,800	125	51.4	153.5	25,600	105	63.5	202.5	32,800				
34	78.1	133.5	176,900	130	39.2	105.7	25,100	130	49.4	149.2	23,900	110	62.0	199.8	30,300				
36	77.2	133.0	163,000	135	36.2	98.9	23,500	135	47.4	144.7	22,300	115	60.5	197.0	28,100				
38	76.3	132.5	150,900	140	33.0	91.3	22,100	140	45.3	139.7	20,800	120	59.0	194.0	26,100				
40	75.4	132.0	140,500	145	29.4	82.7	20,700	145	43.1	134.4	19,500	125	57.5	190.8	24,200				
45	73.0	130.4	119,300	150	25.3	72.5	19,500	150	40.8	128.6	18,200	130	55.9	187.4	22,500				
50	70.7	128.6	103,300	155	20.5	60.0	18,300	155	38.4	122.4	17,100	135	54.3	183.8	20,900				
55	68.3	126.6	90,700	30	82.3	175.0	187,300	160	35.8	115.5	16,000	140	52.7	180.0	19,400				
60	65.9	124.4	80,600	32	81.6	174.7	182,600	165	33.1	107.9	15,000	145	51.0	175.9	18,100				
65	63.4	121.8	72,300	34	80.9	174.4	172,300	170	30.1	99.5	14,000	150	49.3	171.6	16,800				
70	60.9	119.0	65,400	36	80.2	174.0	161,500	175	26.8	89.9	13,100	155	47.5	167.0	15,700				
75	58.3	115.9	59,500	38	79.6	173.6	149,500	180	23.1	78.7	12,200	160	45.7	162.2	14,600				
80	55.7	112.5	54,400	40	78.9	173.2	139,000	32	82.9	205.1	154,200	165	43.8	157.0	13,600				
85	52.9	108.7	50,000	45	77.1	172.0	117,800	34	82.3	204.8	150,700	170	41.9	151.4	12,600				
90	50.0	104.5	46,200	50	75.4	170.7	101,700	36	81.7	204.4	147,100	175	39.8	145.5	11,700				
95	47.0	99.9	42,800	55	73.6	169.2	89,100	38	81.1	204.1	143,500	180	37.7	139.0	10,800				
100	43.8	94.7	39,700	60	71.9	167.5	79,000	40	80.6	203.8	136,900	185	35.5	132.1	10,000				
105	40.5	88.9	37,000	65	70.1	165.7	70,700	45	79.1	202.8	116,500	190	33.1	124.5	9,300				
110	36.8	82.3	34,500	70	68.2	163.7	63,700	50	77.6	201.7	100,400	195	30.6	116.2	8,600				
115	32.8	74.7	32,300	75	66.4	161.5	57,800	55	76.2	200.4	87,700	200	27.9	107.0	7,900				
120	28.3	65.8	30,200	80	64.5	159.1	52,700	60	74.7	199.0	77,600	205	24.8	96.5	7,200				
125	22.9	54.6	28,400	85	62.6	156.5	48,300	65	73.2	197.5	69,200	210	21.4	84.3	6,000				
26	82.3	145.3	236,400	90	60.7	153.7	44,400	70	71.7	195.8	62,200	70	71.7	195.8	62,200				
28	81.5	145.0	224,000	95	58.7	150.6	41,000	75	70.1	194.0	56,300	75	70.1	194.0	56,300				
30	80.6	144.6	207,200	100	56.7	147.3	37,900	80	68.6	192.0	51,200	80	68.6	192.0	51,200				
32	79.8	144.2	192,800	105	54.6	143.8	35,200	85	67.0	189.9	46,700	85	67.0	189.9	46,700				
34	79.0	143.																	



**LIFTCRANE CAPACITIES — 4100W SERIES 2  
BOOM NO. 22A WITH HAMMERHEAD TOP, CONT'D**

**SEE CONDITIONS**

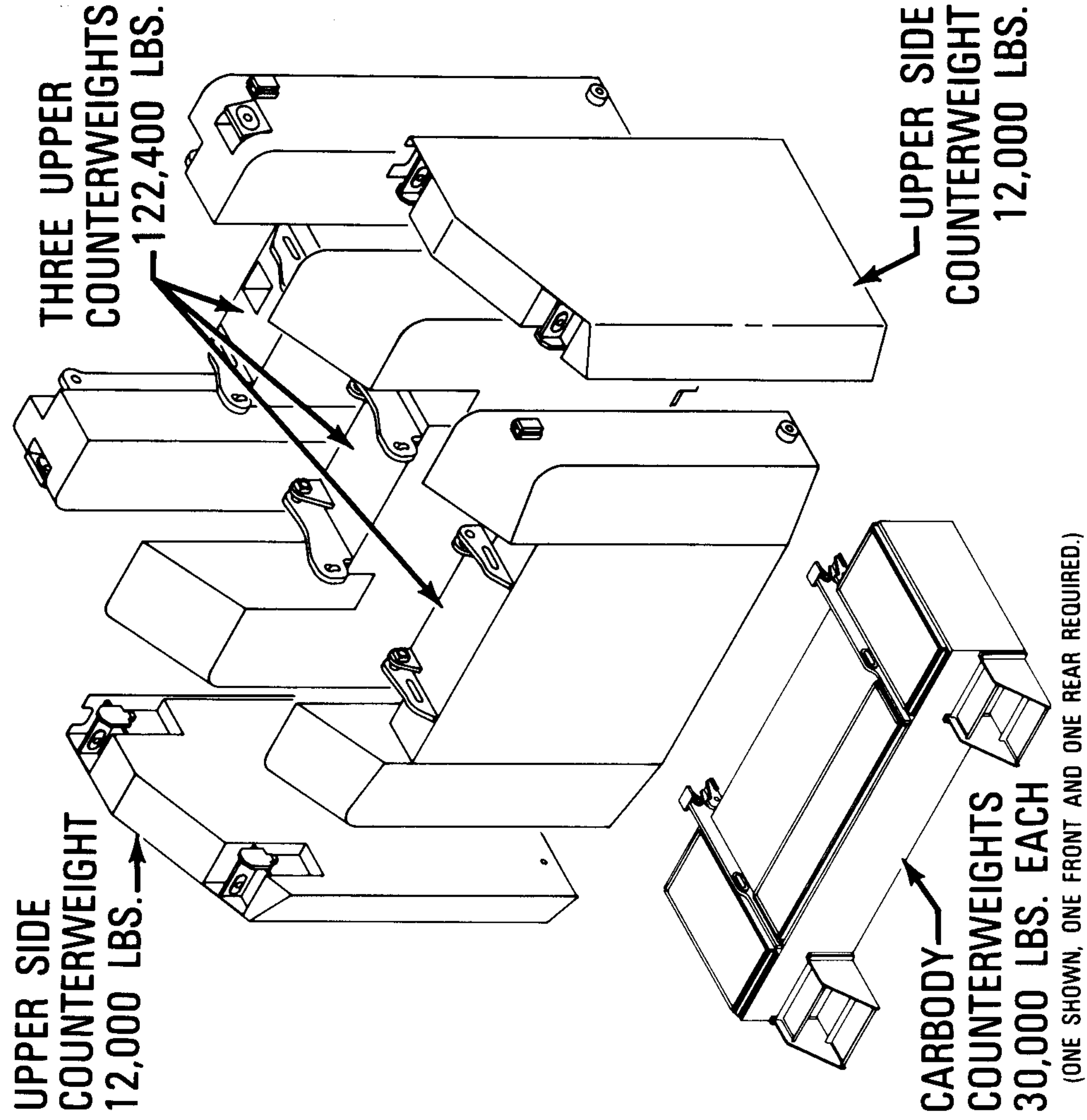
Boom Lgth.: Feet	Oper. Rad.: Feet	Boom Ang.: Deg.	Boom Point: Elev.	Capacity: Crawlers Extended	Boom Lgth.: Feet	Oper. Rad.: Feet	Boom Ang.: Deg.	Boom Point: Elev.	Capacity: Crawlers Extended
<b>2 3 0</b>	36	82.8	234.8	123,600	<b>2 5 0</b>	40	82.5	254.4	105,200
	38	82.3	234.5	120,800		45	81.3	253.6	99,300
	40	81.8	234.2	118,000		50	80.1	252.8	93,400
	45	80.5	233.3	111,100		55	79.0	251.8	85,700
	50	79.3	232.4	99,200		60	77.8	250.7	75,500
	55	78.0	231.3	86,500		65	76.6	249.5	67,200
	60	76.7	230.1	76,300		70	75.4	248.2	60,100
	65	75.4	228.8	68,000		75	74.2	246.7	54,200
	70	74.1	227.4	61,000		80	73.0	245.2	49,100
	75	72.8	225.8	55,000		85	71.8	243.5	44,600
	80	71.5	224.1	49,900		90	70.6	241.8	40,700
	85	70.2	222.3	45,500		95	69.4	239.9	37,300
	90	68.8	220.3	41,600		100	68.2	237.9	34,200
	95	67.5	218.3	38,100		105	66.9	235.7	31,500
	100	66.1	216.0	35,100		110	65.7	233.4	29,000
	105	64.8	213.7	32,300		115	64.4	231.0	26,700
	110	63.4	211.1	29,800		120	63.1	228.5	24,700
	115	62.0	208.5	27,600		125	61.8	225.8	22,800
	120	60.5	205.6	25,600		130	60.5	222.9	21,100
	125	59.1	202.6	23,700		135	59.1	220.0	19,500
	130	57.6	199.4	22,000		140	57.8	216.8	18,100
	135	56.1	196.1	20,400		145	56.4	213.5	16,700
	140	54.6	192.5	18,900		150	55.0	210.0	15,500
	145	53.0	188.7	17,600		155	53.6	206.3	14,300
	150	51.4	184.7	16,300		160	52.1	202.4	13,200
155	49.8	180.5	15,200	165	50.7	198.3	12,200		
160	48.1	176.0	14,100	170	49.1	194.0	11,200		
165	46.4	171.3	13,100	175	47.6	189.4	10,300		
170	44.6	166.2	12,100	180	46.0	184.6	9,500		
175	42.8	160.8	11,200	185	44.4	179.5	8,600		
180	40.9	155.1	10,300	190	42.7	174.1	7,800		
185	38.9	148.9	9,500	195	40.9	168.3	6,900		
190	36.8	142.3	8,800	200	39.1	162.2	6,100		
195	34.7	135.2	8,100	205	37.2	155.7	5,300		
200	32.4	127.4	7,300	210	35.3	148.7	4,500		
205	29.9	118.8	6,500	40	82.8	264.5	99,000		
210	27.2	109.3	5,800	45	81.6	263.8	93,500		
<b>2 4 0</b>	38	82.6	244.6	114,000	50	80.5	262.9	88,100	
	40	82.1	244.3	111,400	55	79.4	262.0	82,700	
	45	80.9	243.5	105,000	60	78.3	260.9	75,100	
	50	79.7	242.6	98,700	65	77.1	259.8	66,700	
	55	78.5	241.5	86,100	70	76.0	258.5	59,600	
	60	77.3	240.4	75,900	75	74.9	257.1	53,700	
	65	76.0	239.1	67,500	80	73.7	255.7	48,600	
	70	74.8	237.8	60,500	85	72.6	254.1	44,100	
	75	73.6	236.3	54,500	90	71.4	252.4	40,200	
	80	72.3	234.7	49,400	95	70.2	250.6	36,700	
	85	71.0	232.9	44,900	100	69.0	248.6	33,700	
	90	69.8	231.1	41,000	105	67.9	246.6	30,900	
	95	68.5	229.1	37,600	110	66.7	244.4	28,400	
	100	67.2	227.0	34,500	115	65.4	242.1	26,200	
	105	65.9	224.7	31,800	120	64.2	239.7	24,100	
	110	64.6	222.3	29,300	125	63.0	237.2	22,300	
	115	63.2	219.8	27,000	130	61.7	234.5	20,600	
	120	61.9	217.1	25,000	135	60.5	231.6	19,000	
	125	60.5	214.3	23,100	140	59.2	228.6	17,500	
	130	59.1	211.3	21,400	145	57.9	225.5	16,200	
	135	57.7	208.1	19,800	150	56.6	222.2	14,900	
	140	56.3	204.8	18,400	155	55.2	218.7	13,700	
	145	54.8	201.2	17,000	160	53.8	215.0	12,600	
	150	53.3	197.5	15,800	165	52.5	211.2	11,600	
	155	51.8	193.6	14,600	170	51.0	207.1	10,600	
160	50.2	189.4	13,500	175	49.6	202.9	9,700		
165	48.6	185.0	12,500	180	48.1	198.4	8,900		
170	47.0	180.4	11,500	185	46.6	193.7	7,900		
175	45.3	175.4	10,600	190	45.0	188.7	7,000		
180	43.6	170.2	9,800	195	43.4	183.4	6,100		
185	41.8	164.6	9,000	200	41.8	177.9	5,300		
190	40.0	158.7	8,200	205	40.1	172.0	4,500		
195	38.0	152.4	7,300						
200	36.0	145.5	6,500						
205	33.9	138.2	5,700						
210	31.6	130.2	5,000						



# CAUTION

BOTH CARBODY COUNTERWEIGHTS MUST ALWAYS BE ATTACHED TO CARBODY BEFORE ATTACHING THE UPPER SIDE COUNTERWEIGHTS TO THE UPPER COUNTERWEIGHTS. LIKEWISE, THE UPPER SIDE COUNTERWEIGHTS MUST BE REMOVED FROM THE UPPER COUNTERWEIGHTS BEFORE REMOVING THE CARBODY COUNTERWEIGHTS. NEVER OPERATE THE MACHINE WITH UPPER SIDE COUNTERWEIGHTS IN PLACE UNLESS BOTH CARBODY COUNTERWEIGHTS ARE ALSO IN PLACE.

## 4100W SERIES 2

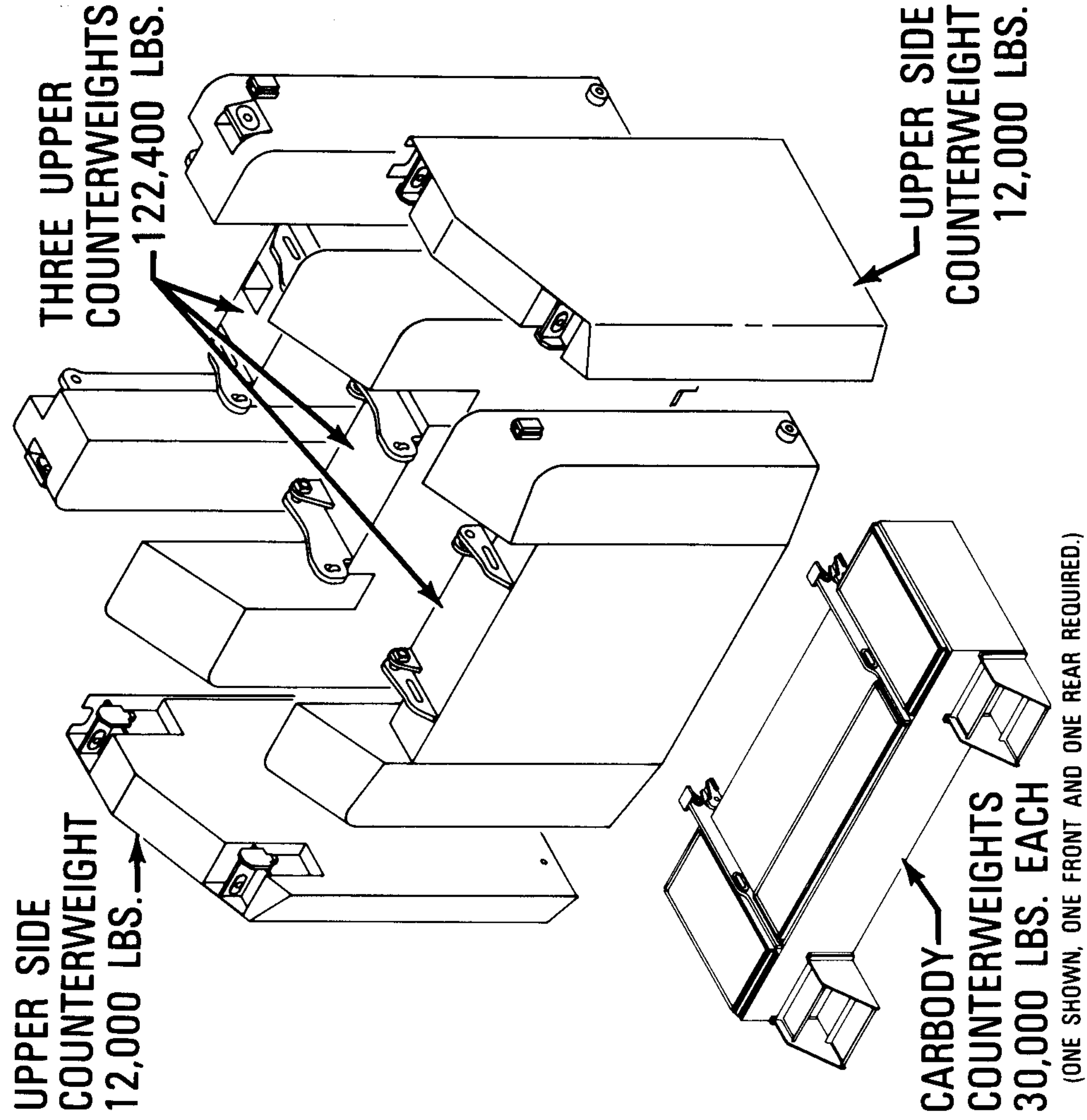




# CAUTION

BOTH CARBODY COUNTERWEIGHTS MUST ALWAYS BE ATTACHED TO CARBODY BEFORE ATTACHING THE UPPER SIDE COUNTERWEIGHTS TO THE UPPER COUNTERWEIGHTS. LIKEWISE, THE UPPER SIDE COUNTERWEIGHTS MUST BE REMOVED FROM THE UPPER COUNTERWEIGHTS BEFORE REMOVING THE CARBODY COUNTERWEIGHTS. NEVER OPERATE THE MACHINE WITH UPPER SIDE COUNTERWEIGHTS IN PLACE UNLESS BOTH CARBODY COUNTERWEIGHTS ARE ALSO IN PLACE.

## 4100W SERIES 2





# JIB LIFTING CAPACITIES

MEETS  
ANSI B30.5  
REQUIREMENTS

**4100W**  
**SERIES-2**

**JIB NO. 123 WITH 12'6" STRUT ON  
BOOM NO. 22A WITH HAMMERHEAD TOP  
26'6" CRAWLERS — EXTENDED**

**10 DEGREE JIB OFFSET ANGLE**

Chart supplements boom capacity chart No. 6961-A. Capacities are for freely suspended loads based on tipping, strength of structural components or other factors. Crane operator judgment must be used to allow for dynamic load effects of swinging, hoisting or lowering, travel, wind conditions, as well as adverse operating conditions and physical machine depreciation.

Capacities do not exceed **75%** of a static tipping load with machine on a firm, level surface. Capacities based on structural

competence are denoted by shaded areas. Operating radius is the horizontal distance from axis of rotation to the center of vertical hoist line or load block. Weight of all load blocks, hooks, weight ball, slings, hoist lines, etc., beneath boom and jib point sheaves, is considered part of the jib load. Boom and jib are not to be lowered beyond radii where combined weights are greater than rated capacity. Maximum capacity on 1 1/8" — 6 x 31 IPS, IWRC is 28,300 lbs./line. Refer to jib assembly No. 43730.

30 FOOT JIB	JIB POINT RADIUS: FEET	CAPACITIES IN POUNDS														JIB POINT RADIUS: FEET
		BOOM LENGTH — FEET														
		110	120	130	140	150	160	170	180	190	200	210	220	230	240	
90 *	40,000	40,000	40,000	40,000	40,000	40,000	40,000	40,000	40,000	40,000	40,000	40,000	40,000	40,000	40,000	90 *
95	40,000	40,000	40,000	40,000	40,000	40,000	40,000	40,000	40,000	40,000	40,000	40,000	40,000	39,800	39,300	95
100	40,000	40,000	40,000	40,000	40,000	39,900	39,700	39,100	38,600	38,100	37,700	37,200	36,700	36,200	35,700	100
105	39,600	39,000	38,800	38,200	37,700	37,200	36,900	36,300	35,900	35,300	34,700	34,400	33,900	33,400	32,900	105
110	37,200	36,600	36,300	35,800	35,300	34,700	34,400	33,900	33,400	32,800	32,500	31,900	31,400	30,900	30,400	110
115	34,900	34,300	34,100	33,500	33,000	32,400	32,200	31,600	31,100	30,500	30,200	29,700	29,200	28,600	28,100	115
120		32,300	32,000	31,500	31,000	30,400	30,100	29,500	29,000	28,500	28,200	27,600	27,100	26,600	26,100	120
125		30,400	30,200	29,600	29,100	28,500	28,200	27,700	27,200	26,600	26,300	25,700	25,200	24,700	24,200	125
130			28,500	27,900	27,400	26,800	26,500	25,900	25,400	24,900	24,600	24,000	23,500	22,900	22,400	130
140				24,800	24,300	23,700	23,500	22,900	22,400	21,800	21,500	20,900	20,400	19,900	19,400	140
150					21,700	21,100	20,800	20,300	19,800	19,200	18,900	18,300	17,800	17,200	16,700	150
160							18,600	18,000	17,500	16,900	16,600	16,000	15,500	14,900	14,400	160
170								16,000	15,500	14,900	14,600	14,000	13,500	12,900	12,400	170
180									13,700	13,100	12,800	12,200	11,700	11,200	10,700	180
190										11,200	10,700	10,100	9,600	9,100	8,600	190
200											9,200	8,700	8,200	7,700	7,200	200

40 FOOT JIB	JIB POINT RADIUS: FEET	CAPACITIES IN POUNDS														JIB POINT RADIUS: FEET
		BOOM LENGTH — FEET														
		110	120	130	140	150	160	170	180	190	200	210	220	230	240	
110 *	30,000	30,000	30,000	30,000	30,000	30,000	30,000	30,000	30,000	30,000	30,000	30,000	30,000	30,000	30,000	110 *
115	29,400	30,000	30,000	30,000	30,000	30,000	30,000	30,000	30,000	30,000	30,000	30,000	29,800	29,200	28,600	115
120	28,400	29,800	30,000	30,000	30,000	30,000	30,000	30,000	29,600	29,000	28,700	28,200	27,700	27,200	26,700	120
125		28,800	30,000	30,000	29,600	29,000	28,700	28,200	27,700	27,100	26,800	26,300	25,800	25,200	24,700	125
130		27,900	28,900	28,300	27,800	27,300	27,000	26,400	25,900	25,400	25,100	24,500	24,000	23,500	23,000	130
135			27,300	26,700	26,200	25,700	25,400	24,800	24,300	23,800	23,500	22,900	22,400	21,900	21,400	135
140			25,800	25,300	24,800	24,200	23,900	23,400	22,900	22,300	22,000	21,400	20,900	20,400	19,900	140
145				23,900	23,400	22,800	22,500	22,000	21,500	20,900	20,600	20,100	19,600	19,000	18,500	145
150					22,100	21,500	21,300	20,700	20,200	19,600	19,300	18,800	18,300	17,700	17,200	150
160						19,200	19,000	18,400	17,900	17,300	17,000	16,500	16,000	15,400	14,900	160
170							16,900	16,400	15,900	15,300	15,000	14,400	13,900	13,400	12,900	170
180								14,100	13,500	13,200	12,600	12,100	11,600	11,100	10,600	180
190									11,900	11,600	11,100	10,500	10,000	9,500	9,000	190
200										10,200	9,600	9,100	8,600	8,100	7,600	200

50 FOOT JIB	JIB POINT RADIUS: FEET	CAPACITIES IN POUNDS														JIB POINT RADIUS: FEET
		BOOM LENGTH — FEET														
		110	120	130	140	150	160	170	180	190	200	210	220	230	240	
130 *	20,000	20,000	20,000	20,000	20,000	20,000	20,000	20,000	20,000	20,000	20,000	20,000	20,000	20,000	20,000	130 *
135		20,000	20,000	20,000	20,000	20,000	20,000	20,000	20,000	20,000	20,000	20,000	20,000	20,000	20,000	135
140		20,000	20,000	20,000	20,000	20,000	20,000	20,000	20,000	20,000	20,000	20,000	20,000	20,000	20,000	140
145			20,000	20,000	20,000	20,000	20,000	20,000	20,000	20,000	20,000	20,000	20,000	20,000	20,000	145
150				20,000	20,000	20,000	20,000	20,000	20,000	20,000	19,800	19,300	18,800	18,300	17,800	150
155					20,000	20,000	20,000	20,000	20,000	19,500	18,900	18,600	18,100	17,600	17,100	155
160						20,000	19,700	19,400	18,800	18,400	17,800	17,500	16,900	16,400	15,900	160
165							18,600	18,300	17,800	17,300	16,700	16,400	15,900	15,400	14,900	165
170								17,600	17,400	16,800	16,300	15,800	15,400	14,900	14,400	170
180									15,000	14,500	14,000	13,600	13,100	12,600	12,100	180
190										12,900	12,300	12,000	11,500	11,000	10,500	190
200											10,900	10,600	10,000	9,500	9,000	200

60 FOOT JIB	JIB POINT RADIUS: FEET	CAPACITIES IN POUNDS														JIB POINT RADIUS: FEET
		BOOM LENGTH — FEET														
		110	120	130	140	150	160	170	180	190	200	210	220	230	240	
140 *	10,000	10,000	10,000	10,000	10,000	10,000	10,000	10,000	10,000	10,000	10,000	10,000	10,000	10,000	10,000	140 *
145		10,000	10,000	10,000	10,000	10,000	10,000	10,000	10,000	10,000	10,000	10,000	10,000	10,000	10,000	145
150		10,000	10,000	10,000	10,000	10,000	10,000	10,000	10,000	10,000	10,000	10,000	10,000	10,000	10,000	150
155			10,000	10,000	10,000	10,000	10,000	10,000	10,000	10,000	10,000	10,000	10,000	10,000	10,000	155
160				10,000	10,000	10,000	10,000	10,000	10,000	10,000	10,000	10,000	10,000	10,000	10,000	160
170					10,000	10,000	10,000	10,000	10,000	10,000	10,000	10,000	10,000	10,000	10,000	170
180						10,000	10,000	10,000	10,000	10,000	10,000	10,000	10,000	10,000	10,000	180
190							10,000	10,000	10,000	10,000	10,000	10,000	10,000	10,000	10,000	190
200									10,000	10,000	10,000	10,000	9,800	9,300	8,800	200
210										9,900	9,500	9,000	8,500	8,000	7,500	210

\* These capacities apply for ALL lesser radii obtainable.



# JIB LIFTING CAPACITIES

MEETS  
ANSI B30.5  
REQUIREMENTS

**4100W**  
**SERIES-2**

**JIB NO. 123 WITH 12'6" STRUT ON  
BOOM NO. 22A WITH HAMMERHEAD TOP  
26'6" CRAWLERS — EXTENDED**

**20 DEGREE JIB OFFSET ANGLE**

Chart supplements boom capacity chart No. 6961-A. Capacities are for freely suspended loads based on tipping, strength of structural components or other factors. Crane operator judgment must be used to allow for dynamic load effects of swinging, hoisting or lowering, travel, wind conditions, as well as adverse operating conditions and physical machine depreciation.

Capacities do not exceed **75%** of a static tipping load with machine on a firm, level surface. Capacities based on structural

competence are denoted by shaded areas. Operating radius is the horizontal distance from axis of rotation to the center of vertical hoist line or load block. Weight of all load blocks, hooks, weight ball, slings, hoist lines, etc., beneath boom and jib point sheaves, is considered part of the jib load. Boom and jib are not to be lowered beyond radii where combined weights are greater than rated capacity. Maximum capacity on 1 1/8" — 6 x 31 IPS, IWRC is 28,300 lbs./line. Refer to jib assembly No. 43730.

30 FOOT JIB	JIB POINT RADIUS: FEET	CAPACITIES IN POUNDS														JIB POINT RADIUS: FEET	
		BOOM LENGTH — FEET															
		110	120	130	140	150	160	170	180	190	200	210	220	230	240		
70 *	40,000	40,000	40,000	40,000	40,000	40,000	40,000	40,000	40,000	40,000	40,000	40,000	40,000	40,000	40,000	40,000	70 *
75	38,900	40,000	40,000	40,000	40,000	40,000	40,000	40,000	40,000	40,000	40,000	40,000	40,000	40,000	40,000	40,000	75
80	37,300	38,700	40,000	40,000	40,000	40,000	40,000	40,000	40,000	40,000	40,000	40,000	40,000	40,000	40,000	40,000	80
85	35,800	37,200	38,500	39,800	40,000	40,000	40,000	40,000	40,000	40,000	40,000	40,000	40,000	40,000	40,000	40,000	85
90	34,400	35,800	37,100	38,400	39,600	40,000	40,000	40,000	40,000	40,000	40,000	40,000	40,000	40,000	40,000	40,000	90
95	33,200	34,600	35,800	37,100	38,200	39,400	40,000	40,000	40,000	40,000	40,000	40,000	40,000	40,000	40,000	40,000	95
100	32,100	33,400	34,700	35,900	37,000	38,100	39,200	39,700	39,200	38,700	38,400	37,900	37,500	37,000	36,500	36,000	100
105	31,100	32,300	33,600	34,800	35,900	37,000	37,400	36,900	36,400	35,900	35,600	35,100	34,600	34,100			105
110		31,400	32,600	33,700	34,800	35,100	34,900	34,400	33,900	33,400	33,100	32,600	32,100	31,600			110
115			31,600	32,800	33,400	32,800	32,600	32,100	31,600	31,100	30,800	30,300	29,800	29,300			115
120			30,800	31,800	31,300	30,800	30,500	30,000	29,500	29,000	28,700	28,200	27,700	27,200			120
130				27,700	27,100	26,900	26,300	25,800	25,300	25,000	24,500	24,000	23,500				130
140						24,000	23,800	23,200	22,700	22,200	21,900	21,400	20,900	20,300			140
150								20,500	20,100	19,500	19,200	18,700	18,200	17,700			150
160									17,700	17,200	16,900	16,300	15,900	15,300			160
170										14,800	14,300	13,800	13,300				170

40 FOOT JIB	JIB POINT RADIUS: FEET	CAPACITIES IN POUNDS														JIB POINT RADIUS: FEET	
		BOOM LENGTH — FEET															
		110	120	130	140	150	160	170	180	190	200	210	220	230	240		
75 *	30,000	30,000	30,000	30,000	30,000	30,000	30,000	30,000	30,000	30,000	30,000	30,000	30,000	30,000	30,000	30,000	75 *
80	28,800	29,800	30,000	30,000	30,000	30,000	30,000	30,000	30,000	30,000	30,000	30,000	30,000	30,000	30,000	30,000	80
85	27,700	28,700	29,600	30,000	30,000	30,000	30,000	30,000	30,000	30,000	30,000	30,000	30,000	30,000	30,000	30,000	85
90	26,700	27,600	28,500	29,300	30,000	30,000	30,000	30,000	30,000	30,000	30,000	30,000	30,000	30,000	30,000	30,000	90
95	25,700	26,700	27,500	28,400	29,200	29,900	30,000	30,000	30,000	30,000	30,000	30,000	30,000	30,000	30,000	30,000	95
100	24,900	25,800	26,600	27,500	28,200	29,000	29,700	30,000	30,000	30,000	30,000	30,000	30,000	30,000	30,000	30,000	100
110	23,300	24,200	25,000	25,800	26,600	27,300	28,000	28,700	29,400	30,000	30,000	30,000	30,000	30,000	30,000	30,000	110
120			23,700	24,400	25,200	25,900	26,600	27,200	27,900	28,500	29,100	28,900	28,400	27,900			120
130				23,200	23,900	24,600	25,300	25,900	26,500	25,900	25,700	25,100	24,700	24,200			130
140						23,500	24,100	23,800	23,300	22,800	22,500	22,000	21,500	21,000			140
150							21,600	21,100	20,600	20,100	19,800	19,300	18,800	18,300			150
160									18,300	17,700	17,400	16,900	16,400	15,900			160
170										15,700	15,400	14,800	14,400	13,800			170
180												13,000	12,500	12,000			180

50 FOOT JIB	JIB POINT RADIUS: FEET	CAPACITIES IN POUNDS														JIB POINT RADIUS: FEET	
		BOOM LENGTH — FEET															
		110	120	130	140	150	160	170	180	190	200	210	220	230			
105 *	20,000	20,000	20,000	20,000	20,000	20,000	20,000	20,000	20,000	20,000	20,000	20,000	20,000	20,000			105 *
110	19,500	20,000	20,000	20,000	20,000	20,000	20,000	20,000	20,000	20,000	20,000	20,000	20,000	20,000			110
115	18,900	19,600	20,000	20,000	20,000	20,000	20,000	20,000	20,000	20,000	20,000	20,000	20,000	20,000			115
120	18,400	19,000	19,700	20,000	20,000	20,000	20,000	20,000	20,000	20,000	20,000	20,000	20,000	20,000			120
125		18,500	19,100	19,700	20,000	20,000	20,000	20,000	20,000	20,000	20,000	20,000	20,000	20,000			125
130			18,600	19,200	19,800	20,000	20,000	20,000	20,000	20,000	20,000	20,000	20,000	20,000			130
135				18,700	19,300	19,800	20,000	20,000	20,000	20,000	20,000	20,000	20,000	20,000			135
140				18,300	18,800	19,300	19,900	20,000	20,000	20,000	20,000	20,000	20,000	20,000			140
150						18,500	19,000	19,500	19,900	20,000	20,000	19,900	19,400				150
160								18,700	18,800	18,300	18,000	17,500	17,000				160
170									16,700	16,200	15,900	15,400	14,900				170
180											14,000	13,500	13,100				180

60 FOOT JIB	JIB POINT RADIUS: FEET	CAPACITIES IN POUNDS														JIB POINT RADIUS: FEET	
		BOOM LENGTH — FEET															
		110	120	130	140	150	160	170	180	190	200	210	220	230			
130 *	10,000	10,000	10,000	10,000	10,000	10,000	10,000	10,000	10,000	10,000	10,000	10,000	10,000	10,000			130 *
135		10,000	10,000	10,000	10,000	10,000	10,000	10,000	10,000	10,000	10,000	10,000	10,000	10,000			135
140			10,000	10,000	10,000	10,000	10,000	10,000	10,000	10,000	10,000	10,000	10,000	10,000			140
145				10,000	10,000	10,000	10,000	10,000	10,000	10,000	10,000	10,000	10,000	10,000			145
150					10,000	10,000	10,000	10,000	10,000	10,000	10,000	10,000	10,000	10,000			150
155						10,000	10,000	10,000	10,000	10,000	10,000	10,000	10,000	10,000			155
160							10,000	10,000	10,000	10,000	10,000	10,000	10,000	10,000			160
170								10,000	10,000	10,000	10,000	10,000	10,000	10,000			170
180									10,000	10,000	10,000	10,000	10,000	10,000			180
190										10,000	10,000	10,000	10,000	10,000			190

\* These capacities apply for ALL lesser radii obtainable.



# LIFT CRANE CAPACITIES

MEETS  
ANSI B30.5  
REQUIREMENTS

# 4100W SERIES 2 CRAWLER

**BOOM NO. 22A WITH LIGHT TAPERED TOP**  
**146,400 LB. CRANE COUNTERWEIGHT**  
**60,000 LB. CARBODY COUNTERWEIGHT**  
**26'6" CRAWLERS EXTENDED**

**WARNING:** This chart will apply only when two 12,000 lb. side ctwts. and two 30,000 lb. carbody ctwts. bear MEC registered Serial Numbers.

**LIFTING CAPACITIES:** Capacities for various boom lengths and operating radii are for freely suspended loads and do not exceed 75% of a static tipping load. Capacities based on structural competence are shown by shaded areas.

Upper boom point capacity for single part whip line is 28,300 lbs. In all cases, upper boom capacities cannot exceed those listed for the main boom capacity.

Capacities are shown in pounds. Weight of upper boom point, jib, (see chart A), all load blocks, hooks, weight ball, slings, hoist lines, etc., beneath boom and jib point sheaves, is considered part of the main boom load. Boom is not to be lowered beyond radii where combined weights are greater than rated capacity. Where no capacity is shown, operation is not intended or approved.

**OPERATING CONDITIONS:** Machine to operate in a level position on a firm surface with crawlers fully extended and gantry in working position and be rigged in accordance with and under conditions referred to in rigging drawing No. 50935 and load line specification chart No. 6670-A.

Crane operator judgment must be used to allow for dynamic load effects of swinging, hoisting or lowering, travel, wind conditions, as well as adverse operating conditions and physical machine depreciation.

**OPERATING RADIUS:** Operating radius is the horizontal distance from the axis of rotation to the center of vertical hoist line or load block with the load freely suspended. Add 14" to boom point radius for radius of sheave when using single part hoist line.

Boom angle is the angle between horizontal and centerline of boom butt and inserts and is an indication of operating radius. In all cases, operating radius shall govern capacity.

**BOOM POINT ELEVATION:** Boom point elevation, in feet, is the vertical distance from ground level to centerline of boom

point shaft.

**MACHINE EQUIPMENT:** Machine equipped with 26'6" extendible crawlers, 48" treads, 17' retractable gantry, 12 part boom hoist reeving, four 1-3/8" boom pendants, 1st ctwt. 41,900 lbs., 2nd ctwt. 41,500 lbs., 3rd ctwt. 39,000 lbs., two 12,000 lbs. side ctwt's. and two 30,000 lbs. carbody ctwt's.

HOIST REEVEING FOR MAIN LOAD BLOCK						
No. Parts of Line	1	2	3	4	5	6
Max. Load — Lbs.	32,500	65,000	97,500	130,000	162,500	195,000
No. Parts of Line	7	8				
Max. Load — Lbs.	227,500	260,000				

LOAD AND WHIP LINE SPECIFICATIONS	
LOAD LINE: 1 1/2" — 6x31 Warrington-Seale, Extra Improved Plow Steel, Regular Lay, IWRC. Minimum Breaking Strength 65 Ton. Approx. Weight Per Ft. in lbs. 2.34.	
WHIP LINE: 1 1/2" — 6x31 Warrington-Seale, Improved Plow Steel, Regular Lay, IWRC. Minimum Breaking Strength 56.5 Ton. Maximum Load — 28,300 lbs. Per Line. Approx. Weight Per Ft. in lbs. 2.34.	

MAXIMUM BOOM AND JIB LENGTHS LIFTED UNASSISTED				(A) DEDUCT FROM CAPACITIES WHEN JIB IS ATTACHED	
OVER FRONT OF CRAWLERS		OVER SIDE OF EXTENDED CRAWLERS			
Bm. Lgth.	Jib No. 123	Bm. Lgth.	Jib No. 123	Jib Lgth.	Jib No. 123
280'	—	280'	—	30'	2,500 lb.
270'	30'	270'	30'	40'	3,000 lb.
260'	50'	260'	50'	50'	3,700 lb.
250'	60'	250'	60'	60'	4,400 lb.

Load block, hook and weight ball on ground at start.  
Upper boom point cannot be used on 280' boom.

DEDUCT FROM CAPACITIES WHEN UPPER BOOM POINT IS ATTACHED	
One Sheave Point	1,100 lb.

For jib capacities, consult jib chart.

Boom Lgth.: Feet	Oper. Rad.: Feet	Boom Angle: Deg.	Boom Point: Elev.	Capacity: Crawlers Extended	Boom Lgth.: Feet	Oper. Rad.: Feet	Boom Angle: Deg.	Boom Point: Elev.	Capacity: Crawlers Extended
22	80.6	115.5	260,000	260,000	24	80.4	125.3	260,000	260,000
24	79.5	115.2	260,000	260,000	26	79.4	125.0	260,000	260,000
26	78.5	114.8	260,000	239,400	28	78.5	124.6	239,400	239,400
28	77.4	114.4	239,900	216,000	30	77.5	124.2	216,000	216,000
30	76.3	113.9	216,500	196,600	32	76.5	123.7	196,600	196,600
32	75.3	113.4	197,200	180,300	34	75.5	123.2	180,300	180,300
34	74.2	112.8	180,900	166,400	36	74.5	122.7	166,400	166,400
36	73.1	112.2	167,000	154,500	38	73.5	122.1	154,500	154,500
38	72.0	111.6	155,000	144,000	40	72.5	121.5	144,000	144,000
40	70.9	110.9	144,600	123,000	45	70.0	119.8	123,000	123,000
45	68.1	109.1	123,600	107,000	50	67.5	117.8	107,000	107,000
50	65.3	106.9	107,700	94,500	55	64.8	115.6	94,500	94,500
55	62.4	104.5	95,200	84,500	60	62.2	113.1	84,500	84,500
60	59.4	101.7	85,200	76,200	65	59.4	110.3	76,200	76,200
65	56.3	98.5	76,900	69,300	70	56.6	107.2	69,300	69,300
70	53.1	95.0	70,000	63,500	75	53.7	103.7	63,500	63,500
75	49.8	91.0	64,100	58,400	80	50.7	99.9	58,400	58,400
80	46.3	86.5	59,100	54,000	85	47.5	95.5	54,000	54,000
85	42.6	81.4	54,700	50,200	90	44.2	90.7	50,200	50,200
90	38.6	75.6	50,900	46,800	95	40.7	85.2	46,800	46,800
95	34.2	68.8	47,500	43,800	100	36.9	79.0	43,800	43,800
100	29.2	60.7	44,500	41,100	105	32.7	71.8	41,100	41,100
105	23.3	50.6	41,800	38,600	110	28.0	63.3	38,600	38,600
110	15.5	36.4	37,700	36,400	115	22.3	52.6	36,400	36,400

Boom Lgth.: Feet	Oper. Rad.: Feet	Boom Angle: Deg.	Boom Point: Elev.	Capacity: Crawlers Extended	Boom Lgth.: Feet	Oper. Rad.: Feet	Boom Angle: Deg.	Boom Point: Elev.	Capacity: Crawlers Extended
26	80.3	135.1	248,200	248,200	28	80.1	144.9	233,000	233,000
28	79.4	134.8	237,900	237,900	30	79.3	144.6	215,000	215,000
30	78.5	134.4	215,400	215,400	32	78.5	144.2	195,600	195,600
32	77.6	134.0	196,000	196,000	34	77.6	143.8	179,300	179,300
34	76.7	133.5	179,700	179,700	36	76.8	143.3	165,400	165,400
36	75.7	133.0	165,800	165,800	38	75.9	142.8	153,400	153,400
38	74.8	132.5	153,900	153,900	40	75.1	142.3	143,000	143,000
40	73.9	131.9	143,400	143,400	45	73.0	140.9	121,900	121,900
45	71.6	130.4	122,300	122,300	50	70.8	139.2	105,900	105,900
50	69.3	128.6	106,400	106,400	55	68.6	137.4	93,400	93,400
55	66.9	126.6	93,900	93,900	60	66.4	135.3	83,400	83,400
60	64.5	124.3	83,800	83,800	65	64.2	133.0	75,100	75,100
65	62.0	121.8	75,500	75,500	70	61.9	130.5	68,200	68,200
70	59.5	119.0	68,600	68,600	75	59.5	127.7	62,300	62,300
75	56.9	115.9	62,800	62,800	80	57.1	124.6	57,300	57,300
80	54.2	112.5	57,700	57,700	85	54.6	121.2	52,900	52,900
85	51.5	108.7	53,300	53,300	90	52.1	117.5	49,000	49,000
90	48.6	104.5	49,500	49,500	95	49.5	113.4	45,600	45,600
95	45.6	99.8	46,100	46,100	100	46.7	108.9	42,600	42,600
100	42.4	94.7	43,100	43,100	105	43.8	104.0	39,900	39,900
105	39.0	88.9	40,400	40,400	110	40.8	98.5	37,400	37,400
110	35.4	82.3	37,900	37,900	115	37.5	92.3	35,200	35,200
115	31.4	74.7	35,700	35,700	120	34.0	85.4	33,200	33,200
120	26.8	65.7	33,700	33,700	125	30.2	77.4	31,400	31,400
125	21.4	54.5	31,900	31,900	130	25.8	68.0	29,700	29,700
					135	20.7	56.4	28,100	28,100

**CAUTION! CHECK AMOUNT OF COUNTERWEIGHT ON MACHINE BEFORE USE OF THIS CHART.**

Capacities continued on reverse side.



Boom Lgth.: Feet	Oper. Rad.: Feet	Boom Angle: Deg.	Boom Point: Elev.	Capacity: Crawlers Extended	Boom Lgth.: Feet	Oper. Rad.: Feet	Boom Angle: Deg.	Boom Point: Elev.	Capacity: Crawlers Extended	Boom Lgth.: Feet	Oper. Rad.: Feet	Boom Angle: Deg.	Boom Point: Elev.	Capacity: Crawlers Extended	Boom Lgth.: Feet	Oper. Rad.: Feet	Boom Angle: Deg.	Boom Point: Elev.	Capacity: Crawlers Extended
28	80.8	155.1	217,300	34	80.4	184.5	176,500	38	80.7	214.2	144,600	170	43.8	166.2	15,300				
30	80.0	154.7	212,100	36	79.8	184.1	163,700	40	80.1	213.9	139,900	175	42.0	160.8	14,400				
32	79.2	154.4	195,100	38	79.1	183.8	151,700	45	78.7	213.0	118,700	180	40.1	155.1	13,500				
34	78.5	154.0	178,800	40	78.5	183.4	141,200	50	77.3	211.9	102,700	185	38.1	148.9	12,800				
36	77.7	153.6	164,900	45	76.8	182.3	120,100	55	75.9	210.7	90,100	190	36.0	142.3	12,000				
38	76.9	153.1	152,900	50	75.2	181.0	104,100	60	74.5	209.4	80,000	195	33.9	135.1	11,300				
40	76.1	152.6	142,400	55	73.5	179.6	91,600	65	73.1	208.0	71,700	200	31.6	127.4	10,600				
45	74.1	151.3	121,300	60	71.9	178.1	81,500	70	71.7	206.4	64,800	205	29.1	118.8	10,000				
50	72.1	149.8	105,300	65	70.2	176.4	73,200	75	70.2	204.6	58,900	210	26.4	109.3	9,400				
55	70.1	148.1	92,800	70	68.5	174.5	66,300	80	68.8	202.8	53,800	215	23.5	98.5	8,800				
60	68.1	146.2	82,800	75	66.8	172.4	60,400	85	67.3	200.8	49,400	220	20.1	86.0	7,600				
65	66.0	144.0	74,500	80	65.0	170.2	55,300	90	65.8	198.6	45,500	225	16.1	70.7	5,500				
70	63.9	141.7	67,600	85	63.3	167.8	50,900	95	64.3	196.3	42,100	45	80.2	243.5	114,400				
75	61.7	139.1	61,700	90	61.5	165.1	47,100	100	62.8	193.8	39,100	50	78.9	242.6	101,200				
80	59.6	136.3	56,600	95	59.6	162.3	43,700	105	61.3	191.1	36,400	55	77.7	241.5	88,600				
85	57.3	133.3	52,200	100	57.8	159.3	40,600	110	59.7	188.3	33,900	60	76.5	240.4	78,500				
90	55.0	129.9	48,400	105	55.9	156.0	37,900	115	58.1	185.3	31,700	65	75.3	239.1	70,200				
95	52.7	126.2	45,000	110	53.9	152.5	35,500	120	56.5	182.1	29,700	70	74.0	237.8	63,300				
100	50.2	122.3	42,000	115	51.9	148.7	33,300	125	54.8	178.6	27,800	75	72.8	236.3	57,300				
105	47.7	117.9	39,300	120	49.9	144.6	31,200	130	53.1	175.0	26,100	80	71.5	234.7	52,300				
110	45.0	113.1	36,800	125	47.8	140.3	29,400	135	51.4	171.1	24,600	85	70.3	232.9	47,900				
115	42.3	107.9	34,600	130	45.6	135.6	27,700	140	49.6	167.0	23,100	90	69.0	231.1	44,000				
120	39.3	102.1	32,600	135	43.3	130.5	26,100	145	47.8	162.6	21,800	95	67.7	229.1	40,600				
125	36.2	95.7	30,700	140	40.9	124.9	24,700	150	46.0	157.9	20,500	100	66.4	227.0	37,500				
130	32.9	88.4	29,000	145	38.4	118.9	23,400	155	44.0	152.9	19,400	105	65.1	224.7	34,800				
135	29.2	80.1	27,500	150	35.8	112.3	22,100	160	42.0	147.6	18,300	110	63.8	222.3	32,400				
140	25.0	70.3	26,100	155	33.0	105.0	21,000	165	39.9	141.8	17,300	115	62.5	219.8	30,100				
145	19.9	58.2	24,700	160	29.9	96.8	19,900	170	37.8	135.6	16,300	120	61.1	217.1	28,100				
30	80.6	164.9	203,800	165	26.6	87.5	18,900	175	35.5	128.9	15,400	125	59.7	214.3	26,300				
32	79.9	164.5	194,200	170	22.7	76.6	17,900	180	33.1	121.6	14,600	130	58.3	211.3	24,600				
34	79.2	164.2	178,400	175	18.2	63.2	16,800	185	30.5	113.5	13,800	135	56.9	208.1	23,000				
36	78.5	163.8	164,500	36	80.3	194.3	162,700	190	27.7	104.5	13,100	140	55.5	204.8	21,500				
38	77.7	163.4	152,500	38	79.7	193.9	151,200	195	24.6	94.3	12,400	145	54.0	201.2	20,200				
40	77.0	162.9	142,000	40	79.1	193.6	140,700	200	21.0	82.4	11,700	150	52.5	197.5	19,000				
45	75.2	161.7	120,900	45	77.5	192.5	119,600	205	16.8	67.8	9,700	155	51.0	193.6	17,800				
50	73.3	160.3	104,900	50	76.0	191.4	103,600	40	80.6	224.0	134,900	160	49.5	189.4	16,700				
55	71.4	158.7	92,400	55	74.4	190.0	91,000	45	79.3	223.2	118,300	165	47.9	185.0	15,700				
60	69.5	156.9	82,300	60	72.9	188.6	80,900	50	77.9	222.1	102,200	170	46.2	180.3	14,800				
65	67.6	154.9	74,000	65	71.3	186.9	72,600	55	76.6	221.0	89,700	175	44.6	175.4	13,900				
70	65.6	152.8	67,100	70	69.7	185.2	65,700	60	75.3	219.8	79,600	180	42.8	170.2	13,000				
75	63.7	150.4	61,200	75	68.1	183.2	59,800	65	73.9	218.4	71,300	185	41.0	164.6	12,200				
80	61.6	147.8	56,100	80	66.4	181.1	54,700	70	72.5	216.9	64,300	190	39.2	158.7	11,500				
85	59.6	145.0	51,800	85	64.8	178.9	50,300	75	71.2	215.2	58,400	195	37.3	152.3	10,800				
90	57.5	141.9	47,900	90	63.1	176.4	46,500	80	69.8	213.5	53,300	200	35.2	145.5	10,100				
95	55.3	138.6	44,500	95	61.4	173.8	43,100	85	68.4	211.6	48,900	205	33.1	138.2	9,500				
100	53.1	135.0	41,500	100	59.7	171.0	40,000	90	67.0	209.5	45,100	210	30.9	130.1	8,900				
105	50.9	131.1	38,800	105	57.9	167.9	37,300	95	65.6	207.3	41,700	215	28.5	121.4	8,300				
110	48.5	126.9	36,300	110	56.1	164.7	34,900	100	64.1	205.0	38,600	220	25.8	111.6	7,700				
115	46.1	122.2	34,100	115	54.3	161.2	32,600	105	62.7	202.5	35,900	225	23.0	100.6	7,200				
120	43.5	117.2	32,100	120	52.4	157.5	30,600	110	61.2	199.8	33,500	230	19.7	87.8	5,600				
125	40.9	111.7	30,200	125	50.4	153.5	28,800	115	59.7	196.9	31,200	45	80.6	253.6	108,400				
130	38.0	105.6	28,500	130	48.5	149.2	27,100	120	58.2	193.9	29,200	50	79.4	252.7	100,600				
135	35.0	98.9	27,000	135	46.4	144.6	25,500	125	56.6	190.7	27,400	55	78.2	251.7	88,100				
140	31.8	91.3	25,600	140	44.3	139.7	24,100	130	55.1	187.3	25,700	60	77.1	250.7	77,900				
145	28.2	82.6	24,200	145	42.1	134.4	22,700	135	53.5	183.8	24,100	65	75.9	249.4	69,600				
150	24.1	72.5	23,000	150	39.8	128.6	21,500	140	51.8	179.9	22,700	70	74.7	248.1	62,700				
155	19.3	59.9	21,800	155	37.4	122.3	20,400	145	50.1	175.9	21,300	75	73.5	246.7	56,800				
32	80.5	174.7	189,400	160	34.8	115.5	19,300	150	48.4	171.6	20,100	80	72.3	245.2	51,700				
34	79.8	174.3	178,100	165	32.1	107.9	18,300	155	46.7	167.0	18,900	85	71.1	243.5	47,300				
36	79.2	174.0	164,200	170	29.1	99.4	17,300	160	44.8	162.1	17,800	90	69.9	241.7	43,400				
38	78.5	173.6	152,100	175	25.8	89.8	16,400	165	43.0	156.9	16,800	95	68.7	239.9	40,000				
40	77.8	173.1	141,700	180	22.1	78.6	15,600	170	41.0	151.4	15,900	100	67.4	237.8	37,000				
45	76.0	172.0	120,600	185	17.7	64.8	14,100	175	39.0	145.4	15,000	105	66.2	235.7	34,200				
50	74.3	170.7	104,600	36	80.8	204.4	155,000	180	36.9	139.0	14,200	110	64.9	233.4	31,800				
55	72.5	169.2	92,000	38	80.2	204.1	150,800	185	34.6	132.1	13,400	115	63.6	231.0	29,500				
60	70.8	167.5	82,000	40	79.6	203.7	140,300	190	32.3	124.5	12,600	120	62.4	228.5	27,500				
65	69.0	165.7	73,700	45	78.2	202.8	119,100	195	29.8	116.2	11,900	125	61.1	225.8	25,700				
70	67.2	163.7	66,700	50	76.7	201.6	103,100	200	27.0	106.9	11,200	130	59.7	222.9	24,000				
75	65.3	161.5	60,900	55	75.2	200.4	90,500	205	24.0	96.4	10,600	135	58.4	219.9	22,400				
80	63.4	159.1	55,800	60	73.7	199.0	80,400	210	20.6	84.2	9,800	140	57.0	216.8	21,000				
85	61.5	156.5	51,400	65	72.2	197.5	72,100	215	16.4	69.3	7,700	145	55.7	213.4	19,600				
90	59.6	153.6	47,600	70	70.7	195.8	65,200	45	79.7	233.3	117,700	150	54.3	209.9	18,400				
95	57.6	150.6	44,200	75	69.2	194.0	59,300	50	78.5	232.4	101,700	155	52.8	206.3	17,200				
100	55.6	147.3	41,100	80	67.7	192.0	54,200	55	77.2	231.3	89,100	160	51.4	202.4	16,100				
105	53.6	143.7	38,400	85	66.1	189.9	49,800	60	75.9	230.1	79,000	165	49.9	198.3	15,100				
110	51.4	139.9	36,000	90	64.5	187.6	46,000	65	74.6	228.8	70,700	170	48.4	193.9	14,200				
115	49.2	135.8	33,700	95	62.9	185.1	42,600	70	73.3	227.3	63,700	175	46.8	189.4	13,300				
120	47.0	131.3	31,700	100	61.3	182.5	39,500	75	72.0	225.8	57,800	180	45.3	184.6	12,400				
12																			



**LIFT CRANE CAPACITIES — 4100W SERIES 2  
BOOM NO. 22A WITH LIGHT TAPERED TOP, CONT'D.**

**SEE CONDITIONS**

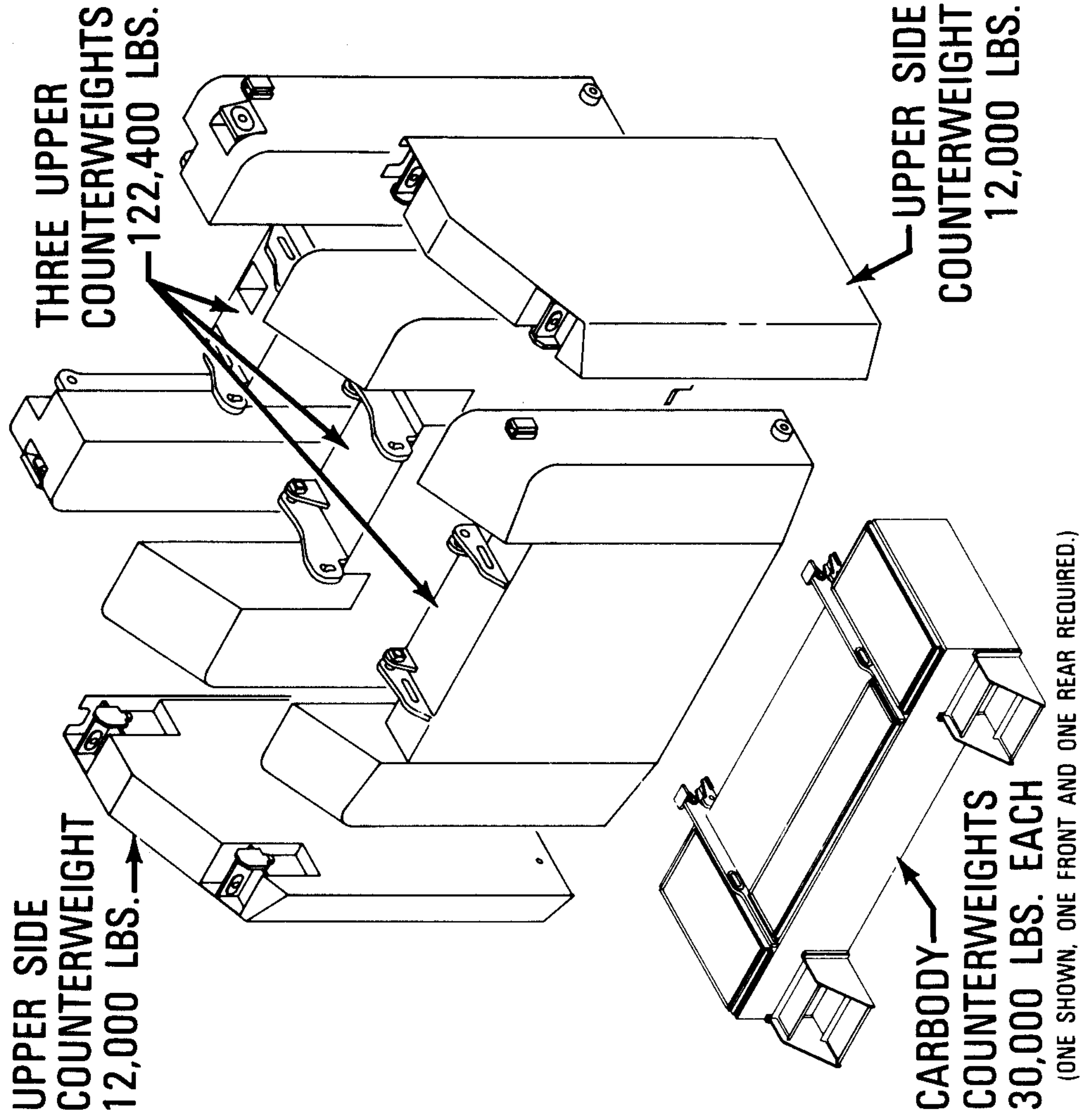
Boom Lgth.: Feet	Oper. Rad.: Feet	Boom Angle: Deg.	Boom Point: Elev.	Capacity: Crawlers Extended	Boom Lgth.: Feet	Oper. Rad.: Feet	Boom Angle: Deg.	Boom Point: Elev.	Capacity: Crawlers Extended
<b>260</b>	50	79.8	262.9	97,700	<b>280</b>	50	80.5	283.2	84,400
	55	78.7	262.0	87,800		55	79.5	282.3	81,500
	60	77.6	260.9	77,700		60	78.5	281.3	76,700
	65	76.4	259.7	69,400		65	77.4	280.3	68,300
	70	75.3	258.5	62,400		70	76.4	279.1	61,400
	75	74.2	257.1	56,500		75	75.3	277.9	55,500
	80	73.0	255.6	51,400		80	74.3	276.5	50,400
	85	71.8	254.1	47,000		85	73.2	275.0	45,900
	90	70.7	252.4	43,200		90	72.1	273.5	42,100
	95	69.5	250.6	39,700		95	71.0	271.8	38,700
	100	68.3	248.6	36,700		100	69.9	270.0	35,600
	105	67.1	246.6	34,000		105	68.9	268.2	32,900
	110	65.9	244.4	31,500		110	67.8	266.2	30,400
	115	64.7	242.1	29,300		115	66.6	264.1	28,200
	120	63.5	239.7	27,300		120	65.5	261.8	26,100
	125	62.3	237.1	25,400		125	64.4	259.5	24,300
	130	61.0	234.4	23,700		130	63.3	257.1	22,600
	135	59.7	231.6	22,100		135	62.1	254.5	21,000
	140	58.5	228.6	20,700		140	60.9	251.8	19,600
	145	57.2	225.5	19,400		145	59.8	248.9	18,200
	150	55.8	222.1	18,100		150	58.6	245.9	17,000
	155	54.5	218.7	16,900		155	57.4	242.8	15,800
	160	53.1	215.0	15,900		160	56.1	239.5	14,700
	165	51.7	211.2	14,900		165	54.9	236.1	13,700
170	50.3	207.1	13,900	170	53.6	232.5	12,800		
175	48.9	202.9	13,000	175	52.4	228.7	11,900		
180	47.4	198.4	12,200	180	51.1	224.8	11,000		
185	45.9	193.7	11,400	185	49.7	220.6	10,200		
190	44.3	188.7	10,600	190	48.4	216.3	9,500		
195	42.7	183.4	9,900	195	47.0	211.7	8,800		
200	41.1	177.8	9,200	200	45.6	207.0	8,100		
205	39.4	171.9	8,600	205	44.1	201.9	7,300		
210	37.6	165.6	8,000	210	42.6	196.6	6,500		
215	35.8	158.9	7,400	215	41.1	191.1	5,800		
220	33.8	151.7	6,700	220	39.5	185.2	5,200		
225	31.8	144.0	6,100	225	37.9	178.9	4,500		
230	29.6	135.6	5,500						
235	27.3	126.3	4,900						
240	24.8	116.1	4,400						
<b>270</b>	50	80.2	273.1	90,500					
	55	79.1	272.1	86,600					
	60	78.0	271.1	77,200					
	65	76.9	270.0	68,800					
	70	75.9	268.8	61,900					
	75	74.8	267.5	56,000					
	80	73.7	266.1	50,900					
	85	72.5	264.6	46,500					
	90	71.4	262.9	42,600					
	95	70.3	261.2	39,200					
	100	69.2	259.4	36,100					
	105	68.0	257.4	33,400					
	110	66.9	255.3	30,900					
	115	65.7	253.1	28,700					
	120	64.6	250.8	26,700					
	125	63.4	248.4	24,800					
	130	62.2	245.8	23,100					
	135	61.0	243.1	21,500					
	140	59.8	240.3	20,100					
	145	58.5	237.3	18,800					
	150	57.3	234.1	17,500					
	155	56.0	230.8	16,400					
	160	54.7	227.4	15,300					
	165	53.4	223.8	14,300					
170	52.1	219.9	13,300						
175	50.7	216.0	12,400						
180	49.3	211.8	11,600						
185	47.9	207.4	10,800						
190	46.5	202.7	10,000						
195	45.0	197.8	9,300						
200	43.5	192.7	8,600						
205	41.9	187.3	8,000						
210	40.3	181.5	7,300						
215	38.6	175.5	6,600						
220	36.9	169.0	5,900						
225	35.1	162.1	5,300						
230	33.2	154.7	4,700						
235	31.2	146.8	4,100						



# CAUTION

BOTH CARBODY COUNTERWEIGHTS MUST ALWAYS BE ATTACHED TO CARBODY BEFORE ATTACHING THE UPPER SIDE COUNTERWEIGHTS TO THE UPPER COUNTERWEIGHTS. LIKEWISE, THE UPPER SIDE COUNTERWEIGHTS MUST BE REMOVED FROM THE UPPER COUNTERWEIGHTS BEFORE REMOVING THE CARBODY COUNTERWEIGHTS. NEVER OPERATE THE MACHINE WITH UPPER SIDE COUNTERWEIGHTS IN PLACE UNLESS BOTH CARBODY COUNTERWEIGHTS ARE ALSO IN PLACE.

## 4100W SERIES 2





# JIB LIFTING CAPACITIES

MEETS  
ANSI B30.5  
REQUIREMENTS

**4100W**  
**SERIES-2**

**JIB NO. 123 WITH 12'6" STRUT ON  
BOOM NO. 22A WITH LIGHT TAPERED TOP  
26'6" CRAWLERS EXTENDED**

**0 DEGREE JIB OFFSET ANGLE**

Chart supplements boom capacity chart No. 7342-A. Capacities are for freely suspended loads based on tipping, strength of structural components or other factors. Crane operator judgment must be used to allow for dynamic load effects of swinging, hoisting or lowering, travel, wind conditions, as well as adverse operating conditions and physical machine depreciation.

Capacities do not exceed 75% of a static tipping load with machine on firm level surface. Capacities based on structural

competence are denoted by shaded areas. Operating radius is the horizontal distance from the axis of rotation to the center of vertical hoist line or load block. Weight of all load blocks, hooks, weight ball, slings, hoist lines, etc., beneath boom and jib point sheaves, including those on the main boom is considered part of the jib load. Boom and jib are not to be lowered beyond radii where combined weights are greater than rated capacity. Maximum capacity on 1-1/8" — 6x31 IPS, IWRC is 28,300 lbs./line. Refer to jib assembly No. 43730.

JIB POINT RADIUS: FEET	CAPACITIES IN POUNDS																	JIB POINT RADIUS: FEET
	BOOM LENGTH — FEET																	
	110	120	130	140	150	160	170	180	190	200	210	220	230	240	250	260	270	
90 *	40,000	40,000	40,000	40,000	40,000	40,000	40,000	40,000	40,000	40,000	40,000	40,000	40,000	40,000	40,000	40,000	40,000	90 *
100	40,000	40,000	40,000	40,000	40,000	40,000	40,000	40,000	40,000	40,000	39,700	39,200	38,800	38,200	37,700	37,100	36,800	100
110	39,500	38,800	38,100	37,600	37,000	36,500	36,100	35,600	35,000	34,500	34,000	33,600	33,000	32,500	31,900	31,600	31,000	110
120	35,300	34,600	33,900	33,400	32,800	32,300	31,900	31,400	30,800	30,200	29,800	29,300	28,700	28,200	27,600	27,300	26,700	120
130		31,100	30,400	29,900	29,200	28,700	28,300	27,800	27,200	26,700	26,200	25,700	25,200	24,600	24,100	23,800	23,200	130
140			27,400	26,900	26,200	25,700	25,300	24,800	24,200	23,700	23,200	22,700	22,100	21,600	21,000	20,700	20,100	140
150				24,300	23,600	23,100	22,700	22,200	21,600	21,100	20,600	20,100	19,500	19,000	18,400	18,100	17,500	150
160					20,900	20,500	20,000	19,400	18,800	18,400	17,900	17,300	16,800	16,200	15,900	15,300	15,300	160
170							18,500	18,000	17,400	16,900	16,400	15,900	15,300	14,800	14,200	13,900	13,300	170
180								16,300	15,700	15,100	14,600	14,200	13,600	13,100	12,500	12,200	11,600	180
190									14,100	13,600	13,100	12,600	12,000	11,500	10,900	10,600	10,000	190
200										12,200	11,700	11,200	10,600	10,100	9,500	9,200	8,600	200
210											10,500	10,000	9,400	8,900	8,300	8,000	7,300	210
220													8,300	7,700	7,200	6,700	6,000	220
230														6,700	6,200	5,700	5,000	230
240															4,800	4,300	3,600	240

JIB POINT RADIUS: FEET	CAPACITIES IN POUNDS																	JIB POINT RADIUS: FEET
	BOOM LENGTH — FEET																	
	110	120	130	140	150	160	170	180	190	200	210	220	230	240	250	260		
110 *	30,000	30,000	30,000	30,000	30,000	30,000	30,000	30,000	30,000	30,000	30,000	30,000	30,000	30,000	30,000	30,000	30,000	110 *
120	29,000	29,000	29,000	29,000	29,000	29,000	29,000	29,000	29,000	29,000	29,000	29,000	29,000	29,000	29,000	29,000	29,000	120
130	28,500	28,500	28,500	28,500	29,400	28,900	28,500	28,000	27,400	26,900	26,400	26,000	25,400	24,900	24,300	24,000	24,000	130
140		26,500	27,500	27,000	26,400	25,900	25,500	25,000	24,400	23,900	23,400	22,900	22,300	21,800	21,300	20,900	20,900	140
150			24,900	24,500	23,800	23,300	22,900	22,400	21,800	21,300	20,800	20,300	19,700	19,200	18,700	18,300		150
160					21,600	21,100	20,700	20,200	19,500	19,000	18,600	18,100	17,500	17,000	16,400	16,100		160
170						19,100	18,700	18,200	17,600	17,100	16,600	16,100	15,500	15,000	14,400	14,100		170
180							17,000	16,400	15,800	15,300	14,800	14,400	13,800	13,300	12,700	12,400		180
190								14,900	14,300	13,800	13,300	12,800	12,200	11,700	11,100	10,800		190
200									12,900	12,400	11,900	11,400	10,800	10,300	9,700	9,400		200
210											10,600	10,200	9,600	9,100	8,500	8,200		210
220												9,000	8,400	7,900	7,300	7,000		220
230													7,400	6,900	6,300	6,000		230
240														5,800	5,300	4,700		240

JIB POINT RADIUS: FEET	CAPACITIES IN POUNDS																	JIB POINT RADIUS: FEET
	BOOM LENGTH — FEET																	
	110	120	130	140	150	160	170	180	190	200	210	220	230	240	250	260		
140 *	20,000	20,000	20,000	20,000	20,000	20,000	20,000	20,000	20,000	20,000	20,000	20,000	20,000	20,000	20,000	20,000	20,000	140 *
150		20,000	20,000	20,000	20,000	20,000	20,000	20,000	20,000	20,000	20,000	20,000	20,000	20,000	20,000	20,000	20,000	150
160			20,000	20,000	20,000	20,000	20,000	20,000	20,000	20,000	20,000	20,000	20,000	20,000	20,000	20,000	20,000	160
170				20,000	20,000	20,000	20,000	20,000	20,000	19,700	19,200	18,800	18,300	17,700	17,200	16,600	16,300	170
180					19,800	19,300	18,900	18,400	17,800	17,300	16,800	16,300	15,700	15,200	14,600	14,300		180
190						17,500	17,100	16,600	16,000	15,500	15,000	14,600	14,000	13,500	12,900	12,600		190
200							15,600	15,100	14,500	14,000	13,500	13,000	12,400	11,900	11,300	11,000		200
210								13,700	13,100	12,600	12,100	11,600	11,000	10,500	9,900	9,600		210
220									11,800	11,300	10,800	10,400	9,800	9,200	8,700	8,300		220
230										10,200	9,700	9,200	8,600	8,100	7,500	7,200		230
240												8,200	7,600	7,100	6,500	6,100		240
250													6,600	6,100	5,500	4,900		250

JIB POINT RADIUS: FEET	CAPACITIES IN POUNDS																	JIB POINT RADIUS: FEET
	BOOM LENGTH — FEET																	
	110	120	130	140	150	160	170	180	190	200	210	220	230	240	250			
150 *	10,000	10,000	10,000	10,000	10,000	10,000	10,000	10,000	10,000	10,000	10,000	10,000	10,000	10,000	10,000	10,000	10,000	150 *
160		10,000	10,000	10,000	10,000	10,000	10,000	10,000	10,000	10,000	10,000	10,000	10,000	10,000	10,000	10,000	10,000	160
170			10,000	10,000	10,000	10,000	10,000	10,000	10,000	10,000	10,000	10,000	10,000	10,000	10,000	10,000	10,000	170
180				10,000	10,000	10,000	10,000	10,000	10,000	10,000	10,000	10,000	10,000	10,000	10,000	10,000	10,000	180
190					10,000	10,000	10,000	10,000	10,000	10,000	10,000	10,000	10,000	10,000	10,000	10,000		190
200						10,000	10,000	10,000	10,000	10,000	10,000	10,000	10,000	10,000	10,000	10,000		200
210							10,000	10,000	10,000	10,000	10,000	10,000	10,000	10,000	10,000	10,000		210
220								10,000	10,000	10,000	10,000	10,000	10,000	10,000	10,000	10,000		220
230									9,800	9,300	8,800	8,300	7,700	7,100	6,600			230
250										9,200	8,700	8,300	7,700	7,100	6,600			250

\* These capacities apply for ALL lesser radii obtainable.



# JIB LIFTING CAPACITIES

MEETS  
ANSI B30.5  
REQUIREMENTS

**4100W**  
**SERIES-2**

**JIB NO. 123 WITH 12'6" STRUT ON  
BOOM NO. 22A WITH LIGHT TAPERED TOP  
26'6" CRAWLERS EXTENDED**

**10 DEGREE JIB OFFSET ANGLE**

Chart supplements boom capacity chart No. 7342-A. Capacities are for freely suspended loads based on tipping, strength of structural components or other factors. Crane operator judgment must be used to allow for dynamic load effects of swinging, hoisting or lowering, travel, wind conditions, as well as adverse operating conditions and physical machine depreciation.

Capacities do not exceed 75% of a static tipping load with machine on firm level surface. Capacities based on structural

competence are denoted by shaded areas. Operating radius is the horizontal distance from the axis of rotation to the center of vertical hoist line or load block. Weight of all load blocks, hooks, weight ball, slings, hoist lines, etc., beneath boom and jib point sheaves, including those on the main boom is considered part of the jib load. Boom and jib are not to be lowered beyond radii where combined weights are greater than rated capacity. Maximum capacity on 1-1/8" — 6x31 IPS, IWRC is 28,300 lbs./line. Refer to jib assembly No. 43730.

30 FOOT JIB	JIB POINT RADIUS: FEET	CAPACITIES IN POUNDS																JIB POINT RADIUS: FEET	
		BOOM LENGTH — FEET																	
		110	120	130	140	150	160	170	180	190	200	210	220	230	240	250	260		270
90 *	40,000	40,000	40,000	40,000	40,000	40,000	40,000	40,000	40,000	40,000	40,000	40,000	40,000	40,000	40,000	40,000	40,000	40,000	90 *
95	38,700	40,000	40,000	40,000	40,000	40,000	40,000	40,000	40,000	40,000	40,000	40,000	40,000	40,000	40,000	40,000	40,000	40,000	95
100	38,700	40,000	40,000	40,000	40,000	40,000	40,000	40,000	40,000	40,000	40,000	39,900	39,400	38,900	38,400	37,900	37,600	37,100	100
105	38,900	38,600	40,000	40,000	39,900	39,400	39,000	38,600	38,000	37,500	37,100	36,700	36,100	35,600	35,100	34,800	34,300		105
110	35,500	37,300	38,400	38,000	37,400	36,900	36,600	36,100	35,500	35,000	34,600	34,200	33,600	33,100	32,600	32,300	31,800		110
120		34,800	34,200	33,700	33,100	32,600	32,200	31,800	31,200	30,700	30,300	29,800	29,300	28,800	28,200	28,000	27,400		120
130			30,100	29,500	29,000	28,600	28,200	27,600	27,100	26,700	26,200	25,700	25,200	24,600	24,300	23,800	23,400		130
140				26,400	26,000	25,600	25,100	24,500	24,000	23,600	23,100	22,600	22,100	21,500	21,200	20,700			140
150						23,300	23,000	22,500	21,900	21,400	21,000	20,500	19,900	19,400	18,900	18,600	18,000		150
160								20,200	19,600	19,100	18,700	18,200	17,600	17,100	16,600	16,300	15,700		160
170									17,600	17,100	16,700	16,200	15,600	15,100	14,600	14,300	13,700		170
180										15,400	14,900	14,400	13,900	13,400	12,800	12,500	11,900		180
190												12,900	12,300	11,800	11,200	10,900	10,400		190
200													10,900	10,400	9,800	9,500	8,900		200
210														9,100	8,500	8,200	7,700		210
220															7,000	6,200	5,200		220

40 FOOT JIB	JIB POINT RADIUS: FEET	CAPACITIES IN POUNDS																JIB POINT RADIUS: FEET	
		BOOM LENGTH — FEET																	
		110	120	130	140	150	160	170	180	190	200	210	220	230	240	250	260		
100 *	30,000	30,000	30,000	30,000	30,000	30,000	30,000	30,000	30,000	30,000	30,000	30,000	30,000	30,000	30,000	30,000	30,000		100 *
105	29,000	30,000	30,000	30,000	30,000	30,000	30,000	30,000	30,000	30,000	30,000	30,000	30,000	30,000	30,000	30,000	30,000		105
110	27,900	29,200	30,000	30,000	30,000	30,000	30,000	30,000	30,000	30,000	30,000	30,000	30,000	30,000	30,000	30,000	30,000		110
120	26,100	27,300	28,200	29,300	30,000	30,000	30,000	30,000	30,000	30,000	30,000	30,000	29,700	29,200	28,700	28,400			120
130			26,500	27,600	28,600	29,300	29,000	28,500	27,900	27,500	27,000	26,600	26,000	25,500	25,000	24,700			130
140				26,000	26,700	26,200	25,900	25,400	24,800	24,400	23,900	23,500	22,900	22,400	21,900	21,600			140
150					24,100	23,600	23,200	22,800	22,200	21,700	21,300	20,800	20,300	19,800	19,200	19,000			150
160						21,000	20,500	19,900	19,400	19,000	18,500	18,000	17,500	16,900	16,600				160
170								18,500	17,900	17,400	16,900	16,500	15,900	15,500	14,900	14,600			170
180									16,100	15,600	15,200	14,700	14,200	13,700	13,100	12,800			180
190										13,600	13,100	12,600	12,100	11,500	11,200	10,600			190
200											11,700	11,100	10,600	10,100	9,800				200
210												9,800	9,300	8,800	8,500				210
220													7,600	7,300					220

50 FOOT JIB	JIB POINT RADIUS: FEET	CAPACITIES IN POUNDS																JIB POINT RADIUS: FEET	
		BOOM LENGTH — FEET																	
		110	120	130	140	150	160	170	180	190	200	210	220	230	240	250	260		
130 *	20,000	20,000	20,000	20,000	20,000	20,000	20,000	20,000	20,000	20,000	20,000	20,000	20,000	20,000	20,000	20,000	20,000		130 *
135		20,000	20,000	20,000	20,000	20,000	20,000	20,000	20,000	20,000	20,000	20,000	20,000	20,000	20,000	20,000	20,000		135
140			20,000	20,000	20,000	20,000	20,000	20,000	20,000	20,000	20,000	20,000	20,000	20,000	20,000	20,000	20,000		140
150				20,000	20,000	20,000	20,000	20,000	20,000	20,000	20,000	20,000	20,000	20,000	20,000	19,600	19,300		150
160					20,000	20,000	20,000	20,000	20,000	19,700	19,300	18,800	18,300	17,800	17,300	17,000			160
170								19,200	18,700	18,200	17,700	17,200	16,800	16,300	15,800	15,200	14,900		170
180									16,900	16,400	15,900	15,400	15,000	14,500	14,000	13,400	13,100		180
190										14,800	14,300	13,800	13,400	12,900	12,400	11,800	11,500		190
200											12,400	12,000	11,400	10,900	10,400	10,100			200
210												10,700	10,100	9,600	9,100	8,800			210
220													8,900	8,500	7,900	7,600			220
230														6,800	6,500				230

60 FOOT JIB	JIB POINT RADIUS: FEET	CAPACITIES IN POUNDS																JIB POINT RADIUS: FEET	
		BOOM LENGTH — FEET																	
		110	120	130	140	150	160	170	180	190	200	210	220	230	240	250			
140 *	10,000	10,000	10,000	10,000	10,000	10,000	10,000	10,000	10,000	10,000	10,000	10,000	10,000	10,000	10,000	10,000			140 *
150			10,000	10,000	10,000	10,000	10,000	10,000	10,000	10,000	10,000	10,000	10,000	10,000	10,000	10,000			150
160				10,000	10,000	10,000	10,000	10,000	10,000	10,000	10,000	10,000	10,000	10,000	10,000	10,000			160
170					10,000	10,000	10,000	10,000	10,000	10,000	10,000	10,000	10,000	10,000	10,000	10,000			170
180						10,000	10,000	10,000	10,000	10,000	10,000	10,000	10,000	10,000	10,000	10,000			180
190							10,000	10,000	10,000	10,000	10,000	10,000	10,000	10,000	10,000	10,000			190
200								10,000	10,000	10,000	10,000	10,000	10,000	10,000	10,000	10,000			200
210									10,000	10,000	10,000	10,000	10,000	10,000	10,000	9,800	9,200		210
220												9,700	9,100	8,600	8,100				220
230													8,000	7,500	7,000				230

\* These capacities apply for ALL lesser radii obtainable.



# JIB LIFTING CAPACITIES

MEETS  
ANSI B30.5  
REQUIREMENTS

**4100W**  
**SERIES-2**

**JIB NO. 123 WITH 12'6" STRUT ON  
BOOM NO. 22A WITH LIGHT TAPERED TOP  
26'6" CRAWLERS EXTENDED**

**20 DEGREE JIB OFFSET ANGLE**

Chart supplements boom capacity chart No. 7342-A. Capacities are for freely suspended loads based on tipping, strength of structural components or other factors. Crane operator judgment must be used to allow for dynamic load effects of swinging, hoisting or lowering, travel, wind conditions, as well as adverse operating conditions and physical machine depreciation.

competence are denoted by shaded areas. Operating radius is the horizontal distance from the axis of rotation to the center of vertical hoist line or load block. Weight of all load blocks, hooks, weight ball, slings, hoist lines, etc., beneath boom and jib point sheaves, including those on the main boom is considered part of the jib load. Boom and jib are not to be lowered beyond radii where combined weights are greater than rated capacity. Maximum capacity on 1-1/8" — 6x31 IPS, IWRC is 28,300 lbs./line. Refer to jib assembly No. 43730.

Capacities do not exceed 75% of a static tipping load with machine on firm level surface. Capacities based on structural

30 FOOT JIB	JIB POINT RADIUS: FEET	CAPACITIES IN POUNDS																JIB POINT RADIUS: FEET	
		BOOM LENGTH — FEET																	
		110	120	130	140	150	160	170	180	190	200	210	220	230	240	250	260		270
70 *	40,000	40,000	40,000	40,000	40,000	40,000	40,000	40,000	40,000	40,000	40,000	40,000	40,000	40,000	40,000	40,000	40,000	40,000	70 *
75	39,000	40,000	40,000	40,000	40,000	40,000	40,000	40,000	40,000	40,000	40,000	40,000	40,000	40,000	40,000	40,000	40,000	40,000	75
80	37,000	38,000	40,000	40,000	40,000	40,000	40,000	40,000	40,000	40,000	40,000	40,000	40,000	40,000	40,000	40,000	40,000	40,000	80
85	36,000	37,500	38,700	39,800	40,000	40,000	40,000	40,000	40,000	40,000	40,000	40,000	40,000	40,000	40,000	40,000	40,000	40,000	85
90	35,100	36,300	37,400	38,500	39,600	40,000	40,000	40,000	40,000	40,000	40,000	40,000	40,000	40,000	40,000	40,000	40,000	40,000	90
95	34,000	35,200	36,300	37,400	38,500	39,600	39,900	40,000	40,000	40,000	40,000	40,000	40,000	40,000	40,000	40,000	40,000	40,000	95
100		34,200	35,300	36,400	37,500	38,600	39,700	39,800	39,900	40,000	40,000	40,000	40,000	39,600	39,100	38,600	38,400	37,900	100
105		33,200	34,300	35,400	36,500	37,600	38,700	38,800	38,900	39,000	39,100	39,200	39,300	38,800	38,300	37,800	37,600	37,100	105
110			33,100	34,100	35,100	36,000	36,900	36,500	36,000	35,500	35,100	34,700	34,200	33,700	33,200	33,000	32,500	32,500	110
120					33,400	32,900	32,600	32,200	31,600	31,200	30,700	30,300	29,800	29,300	28,800	28,600	28,000	28,000	120
130						28,900	28,500	27,900	27,500	27,100	26,600	26,100	25,600	25,100	24,900	24,300	24,300	23,700	130
140							25,400	24,800	24,400	23,900	23,500	23,000	22,500	22,000	21,700	21,200	21,200	20,600	140
150										21,700	21,300	20,800	20,300	19,800	19,300	19,000	18,500	18,500	150
160											18,900	18,500	18,000	17,500	17,000	16,700	16,100	16,100	160
170												15,900	15,400	14,900	14,600	14,100	14,100	13,500	170
180													13,100	12,800	12,300	12,300	11,700	11,700	180

40 FOOT JIB	JIB POINT RADIUS: FEET	CAPACITIES IN POUNDS																JIB POINT RADIUS: FEET	
		BOOM LENGTH — FEET																	
		110	120	130	140	150	160	170	180	190	200	210	220	230	240	250	260		
75 *	30,000	30,000	30,000	30,000	30,000	30,000	30,000	30,000	30,000	30,000	30,000	30,000	30,000	30,000	30,000	30,000	30,000	30,000	75 *
80	29,200	30,000	30,000	30,000	30,000	30,000	30,000	30,000	30,000	30,000	30,000	30,000	30,000	30,000	30,000	30,000	30,000	30,000	80
85	28,100	29,000	29,800	30,000	30,000	30,000	30,000	30,000	30,000	30,000	30,000	30,000	30,000	30,000	30,000	30,000	30,000	30,000	85
90	27,200	28,000	28,900	29,600	30,000	30,000	30,000	30,000	30,000	30,000	30,000	30,000	30,000	30,000	30,000	30,000	30,000	30,000	90
100	25,500	26,300	27,100	27,900	28,600	29,300	30,000	30,000	30,000	30,000	30,000	30,000	30,000	30,000	30,000	30,000	30,000	30,000	100
110		24,900	25,700	26,400	27,100	27,800	28,500	29,100	29,200	29,800	30,000	30,000	30,000	30,000	30,000	30,000	30,000	30,000	110
120			25,100	25,800	26,500	27,200	27,900	28,400	28,400	29,000	29,500	30,000	30,000	30,000	29,900	29,400	29,200	28,700	120
130				24,300	24,900	25,500	26,100	26,700	27,200	27,500	27,500	27,500	27,500	27,500	27,500	27,500	27,500	27,500	130
140							24,500	25,100	25,300	24,800	24,400	24,000	23,500	23,000	22,500	22,200	22,200	21,600	140
150									22,600	22,100	21,700	21,300	20,800	20,300	19,800	19,500	19,500	18,900	150
160										19,800	19,300	18,900	18,400	17,900	17,400	17,100	17,100	16,500	160
170												16,900	16,300	15,900	15,300	15,100	15,100	14,500	170
180													14,500	14,000	13,500	13,200	13,200	12,600	180
190														11,900	11,600	11,600	11,000	11,000	190

50 FOOT JIB	JIB POINT RADIUS: FEET	CAPACITIES IN POUNDS																JIB POINT RADIUS: FEET	
		BOOM LENGTH — FEET																	
		110	120	130	140	150	160	170	180	190	200	210	220	230	240	250	260		
110 *	20,000	20,000	20,000	20,000	20,000	20,000	20,000	20,000	20,000	20,000	20,000	20,000	20,000	20,000	20,000	20,000	20,000	20,000	110 *
115	19,400	20,000	20,000	20,000	20,000	20,000	20,000	20,000	20,000	20,000	20,000	20,000	20,000	20,000	20,000	20,000	20,000	20,000	115
120		19,500	20,000	20,000	20,000	20,000	20,000	20,000	20,000	20,000	20,000	20,000	20,000	20,000	20,000	20,000	20,000	20,000	120
125			19,600	20,000	20,000	20,000	20,000	20,000	20,000	20,000	20,000	20,000	20,000	20,000	20,000	20,000	20,000	20,000	125
130				19,700	20,000	20,000	20,000	20,000	20,000	20,000	20,000	20,000	20,000	20,000	20,000	20,000	20,000	20,000	130
140					19,300	19,800	20,000	20,000	20,000	20,000	20,000	20,000	20,000	20,000	20,000	20,000	20,000	20,000	140
150							19,200	19,600	20,000	20,000	20,000	20,000	20,000	20,000	20,000	20,000	20,000	20,000	150
160								18,900	19,300	19,700	19,800	19,400	18,900	18,400	17,900	17,600	17,600	17,000	160
170										18,100	17,700	17,300	16,800	16,300	15,800	15,500	15,500	14,900	170
180												15,400	14,900	14,400	13,900	13,700	13,700	13,100	180
190													13,200	12,800	12,300	12,000	12,000	11,400	190
200														10,800	10,500	10,500	10,500	9,900	200

60 FOOT JIB	JIB POINT RADIUS: FEET	CAPACITIES IN POUNDS																JIB POINT RADIUS: FEET	
		BOOM LENGTH — FEET																	
		110	120	130	140	150	160	170	180	190	200	210	220	230	240	250	260		
125 *	10,000	10,000	10,000	10,000	10,000	10,000	10,000	10,000	10,000	10,000	10,000	10,000	10,000	10,000	10,000	10,000	10,000	10,000	125 *
130		10,000	10,000	10,000	10,000	10,000	10,000	10,000	10,000	10,000	10,000	10,000	10,000	10,000	10,000	10,000	10,000	10,000	130
140			10,000	10,000	10,000	10,000	10,000	10,000	10,000	10,000	10,000	10,000	10,000	10,000	10,000	10,000	10,000	10,000	140
150					10,000	10,000	10,000	10,000	10,000	10,000	10,000	10,000	10,000	10,000	10,000	10,000	10,000	10,000	150
160							10,000	10,000	10,000	10,000	10,000	10,000	10,000	10,000	10,000	10,000	10,000	10,000	160
170								10,000	10,000	10,000	10,000	10,000	10,000	10,000	10,000	10,000	10,000	10,000	170
180										10,000	10,000	10,000	10,000	10,000	10,000	10,000	10,000	10,000	180
190												10,000	10,000	10,000	10,000	10,000	10,000	10,000	190
200														10,000	10,000	10,000	10,000	10,000	200
210															10,000	9,700	9,700	9,700	210

\* These capacities apply for ALL lesser radii obtainable.



# LIFT CRANE/CONTAINER HANDLING CAPACITIES

## 4100W SERIES 2 SPECIAL

**33' STATIONARY TOWER  
BOOM NO. 22A WITH CONTAINER HANDLING TOP  
182,400 LB. CRANE COUNTERWEIGHT  
60,000 LB. CARBODY COUNTERWEIGHT  
26'6" CRAWLERS EXTENDED**

CAPACITIES FOR VARIOUS BOOM LENGTHS AND OPERATING RADII ARE FOR FREELY SUSPENDED LOADS AND DO NOT EXCEED 75% OF A STATIC TIPPING LOAD. CAPACITIES BASED ON STRUCTURAL COMPETENCE ARE DENOTED BY AN ASTERISK (\*).

CAPACITIES ARE BASED ON USING TWO - 2 PART HOIST LINES WITH A MAXIMUM LOAD OF 65,000 LBS. ON EITHER BLOCK. MAXIMUM LOAD OF 92,000 LBS. IS LIMITED TO THE FIRST TWO LAYERS ON 19" DIAMETER FULL WIDTH DRUMS. MAXIMUM ALLOWABLE LOAD IS 80,000 LBS. WHEN SPOOLING ON THE THIRD LAYER.

WEIGHT OF ALL LOAD BLOCKS, HOOKS, WEIGHT BALL, SLINGS, CONTAINER HANDLING DEVICES, HOIST LINES, ETC., BENEATH BOOM POINT SHEAVES, IS CONSIDERED PART OF THE MAIN BOOM LOAD. BOOM IS NOT TO BE LOWERED BEYOND RADII WHERE COMBINED WEIGHTS ARE GREATER THAN RATED CAPACITY. WHERE NO CAPACITY IS SHOWN, OPERATION IS NOT INTENDED OR APPROVED. RAISING OR LOWERING OF BOOM BELOW HORIZONTAL MUST BE DONE WITHOUT LOAD ON BOOM.

HOIST LINE SPECIFICATIONS: 1-1/8" - 6 X 31 WARRINGTON-SEALE, EXTRA IMPROVED PLOW STEEL, REGULAR LAY, IWRC. MINIMUM BREAKING STRENGTH 130,000 LBS. APPROX. WEIGHT = 2.34 LBS. PER FT.

MACHINE TO OPERATE IN A LEVEL POSITION ON A FIRM UNIFORMLY SUPPORTING SURFACE WITH CRAWLERS FULLY EXTENDED. REFER TO RIGGING NO. 164562. CRANE OPERATOR JUDGMENT MUST BE USED TO ALLOW FOR DYNAMIC LOAD EFFECTS OF SWINGING, HOISTING OR LOWERING, TRAVEL, WIND CONDITIONS, AS WELL AS ADVERSE OPERATING CONDITIONS AND PHYSICAL MACHINE DEPRECIATION.

OPERATING RADIUS IS THE HORIZONTAL DISTANCE FROM THE AXIS OF ROTATION TO THE CENTER OF VERTICAL HOIST LINE OR LOAD BLOCK. BOOM ANGLE IS THE ANGLE BETWEEN HORIZONTAL AND CENTERLINE OF THE BOOM BUTT AND INSERTS AND IS AN INDICATION OF OPERATING RADIUS. IN ALL CASES, OPERATING RADIUS SHALL GOVERN CAPACITY. BOOM POINT ELEVATION IS VERTICAL DISTANCE FROM GROUND LEVEL TO CENTERLINE OF BOOM POINT SHAFT.

MACHINE EQUIPPED WITH 26'6" EXTENDIBLE CRAWLERS, 48" TREADS, 15'6" GANTRY, 14 PART BOOM HOIST REEVING, FOUR 1-1/4" BOOM PENDANTS, 1ST COUNTERWEIGHT = 41,900 LBS., 2ND COUNTERWEIGHT = 41,500 LBS., 3RD COUNTERWEIGHT = 39,000 LBS., TWO 30,000 LB. SIDE COUNTERWEIGHTS AND TWO 30,000 LB. CARBODY COUNTERWEIGHTS.

BOOM LGTH. FEET	OPER. RAD. FEET	BOOM ANG. DEG.	BOOM POINT ELEV. FEET	CAPACITY POUNDS	BOOM LGTH. FEET	OPER. RAD. FEET	BOOM ANG. DEG.	BOOM POINT ELEV. FEET	CAPACITY POUNDS	BOOM LGTH. FEET	OPER. RAD. FEET	BOOM ANG. DEG.	BOOM POINT ELEV. FEET	CAPACITY POUNDS
<b>80</b>	22	77.0	118.0	92,000*	<b>90</b>	26	75.9	127.3	92,000*	<b>100</b>	28	76.1	137.1	92,000*
	24	75.5	117.5	92,000*		28	74.5	126.7	92,000*		30	74.9	136.6	92,000*
	26	74.0	116.9	92,000*		30	73.2	126.2	92,000*		32	73.7	136.0	92,000*
	28	72.5	116.3	92,000*		32	71.9	125.5	92,000*		34	72.5	135.4	92,000*
	30	71.0	115.7	92,000*		34	70.5	124.9	92,000*		36	71.3	134.7	92,000*
	32	69.5	114.9	92,000*		36	69.2	124.1	92,000*		38	70.1	134.0	92,000*
	34	68.0	114.2	92,000*		38	67.8	123.3	92,000*		40	68.9	133.3	92,000*
	36	66.4	113.3	92,000*		40	66.4	122.5	92,000*		45	65.8	131.2	92,000*
	38	64.8	112.4	92,000*		45	62.9	120.1	92,000*		50	62.6	128.8	92,000*
	40	63.3	111.4	92,000*		50	59.3	117.4	92,000*		55	59.3	126.0	92,000*
	45	59.2	108.7	92,000*		55	55.5	114.2	92,000*		60	55.9	122.9	92,000*
	50	54.9	105.5	92,000*		60	51.5	110.5	92,000*		65	52.4	119.2	90,000*
	55	50.4	101.6	92,000*		65	47.3	106.2	90,800*		70	48.7	115.1	82,100*
	60	45.6	97.1	92,000*		70	42.8	101.2	82,900*		75	44.8	110.4	75,400*
	65	40.3	91.8	91,800*		75	37.9	95.3	76,100*		80	40.5	105.0	69,600*
	70	34.4	85.2	84,400*		80	32.4	88.2	70,300*		85	35.9	98.6	64,500*
75	27.4	76.9	77,400*	85	25.8	79.2	62,500*	90	30.7	91.0	60,000*			
80	18.2	65.0	58,400*	90	17.1	66.5	49,600*	95	24.5	81.5	53,400*			
										100	16.3	68.0	42,600*	





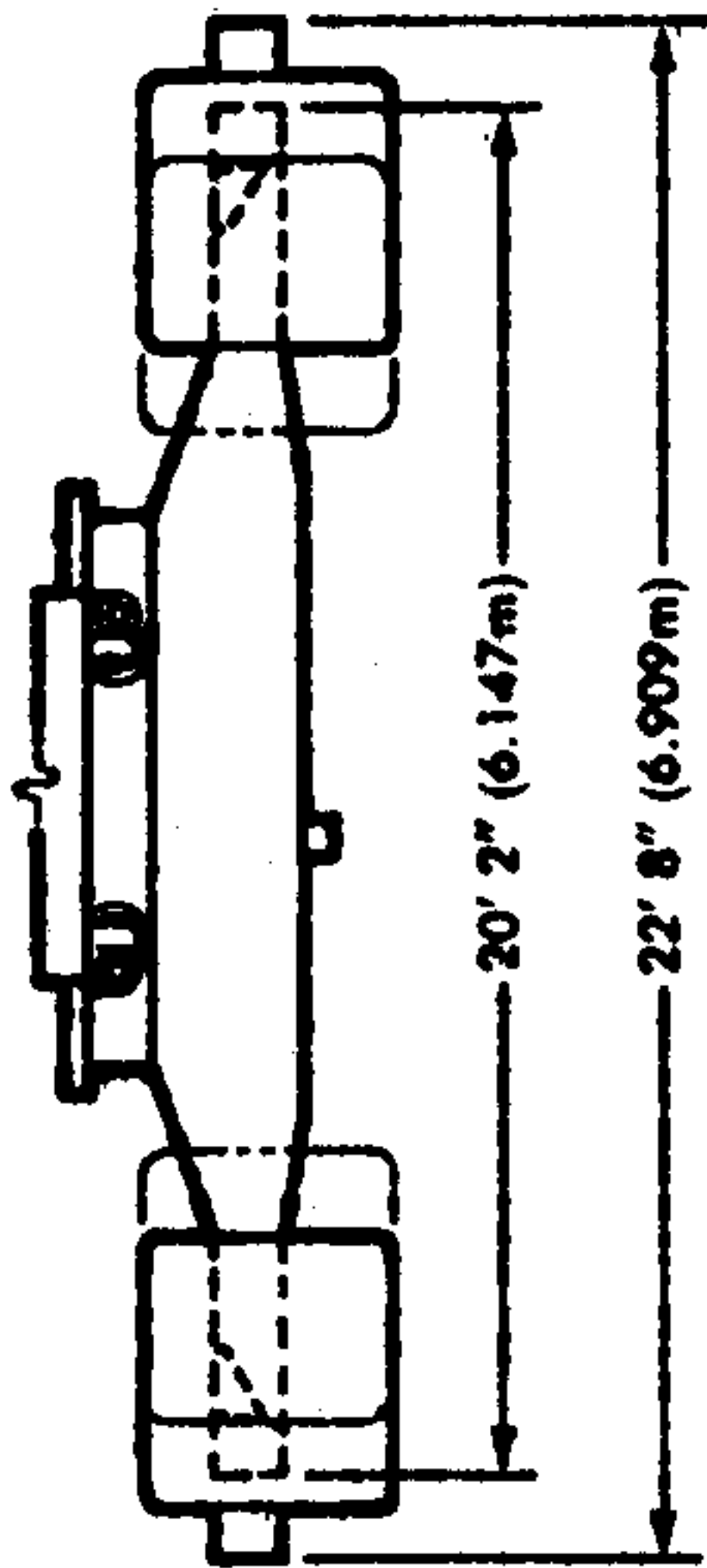




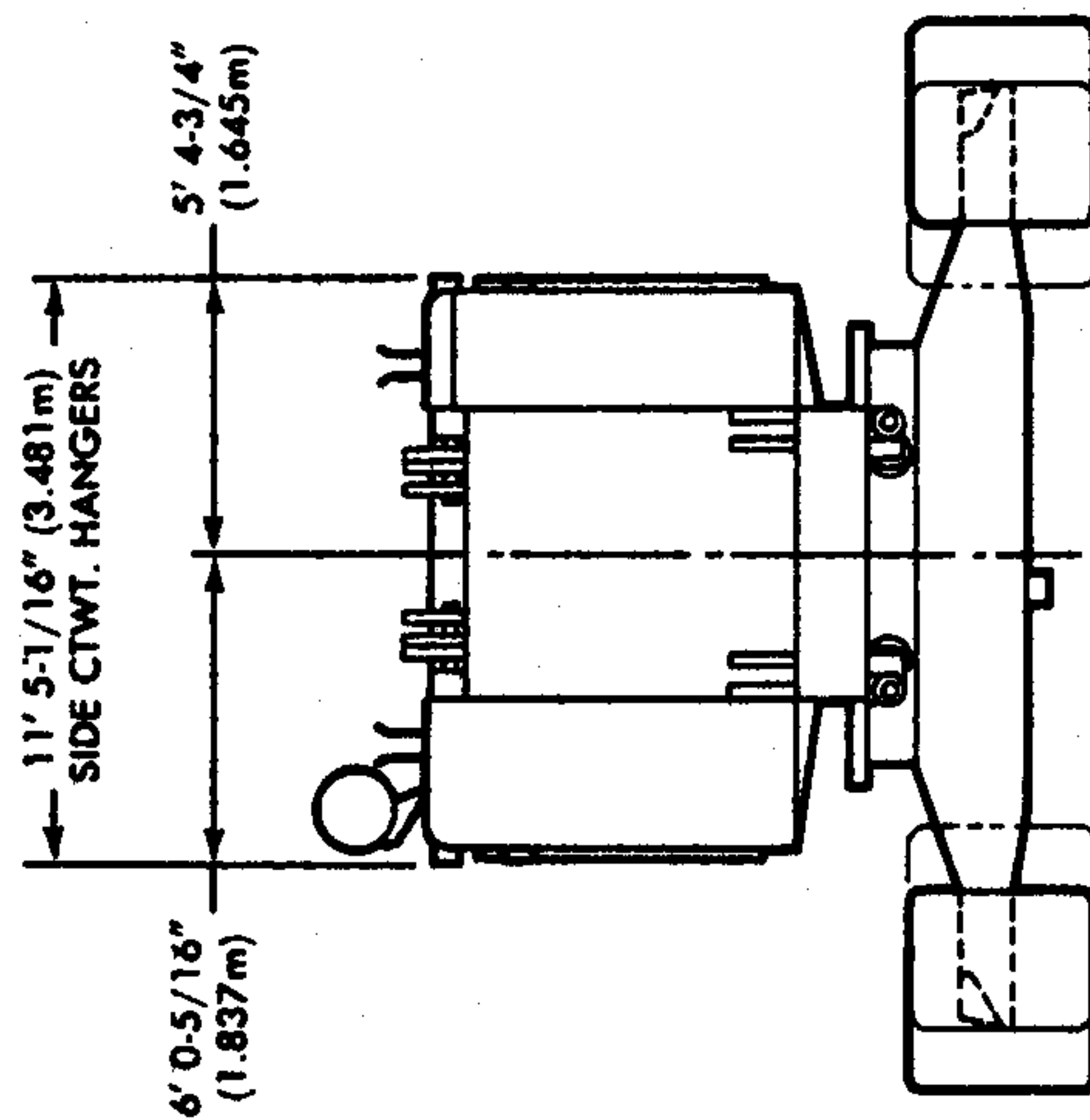


**OUTLINE DIMENSIONS**

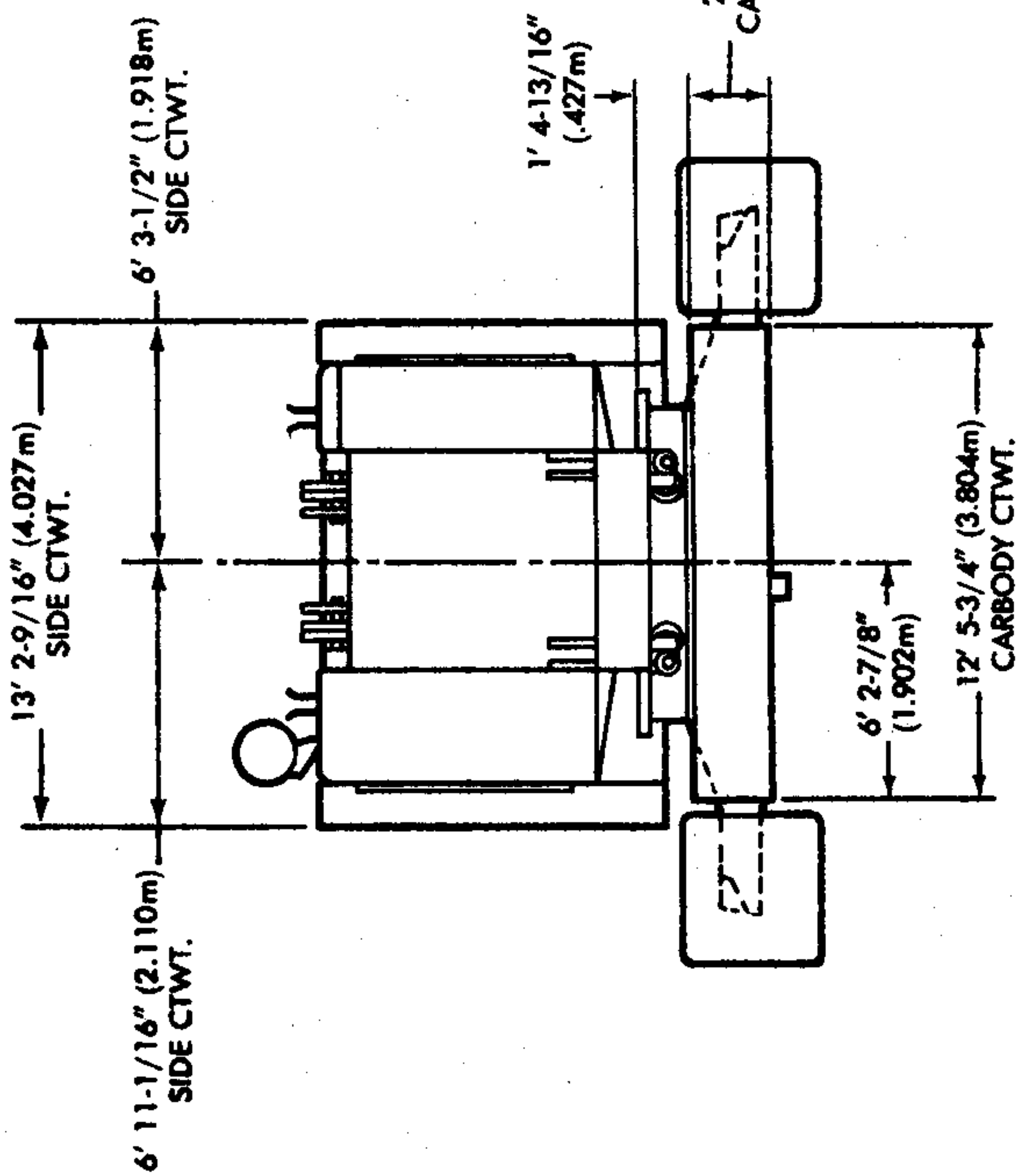
160299-2



**CARBODY W/ CRAWLERS MODIFIED FOR RINGER APPLICATION W/ TRAVEL ATTACHMENT**



**VIEW "A-A" 4100-W SERIES-1**



**VIEW "B-B" 4100-W SERIES-2**

**MODELS: 4100-W, 4100-W SERIES-1 & 4100-W SERIES-2**

Corr. 7-28-86

3-25-83

3-30-82

3-5-82

Drwg. Date 1-12-82

160299-2



