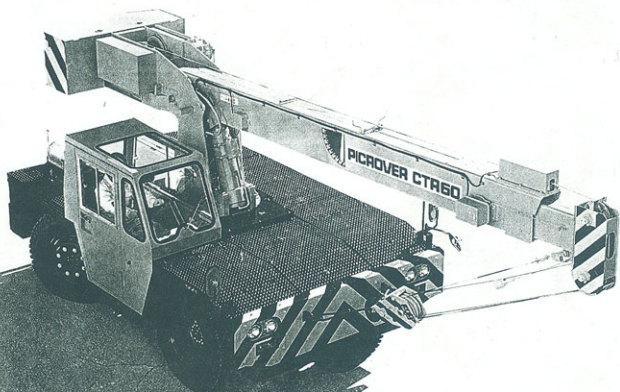
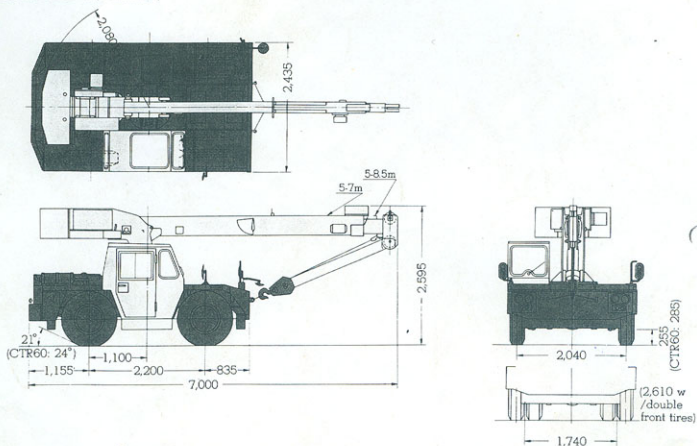
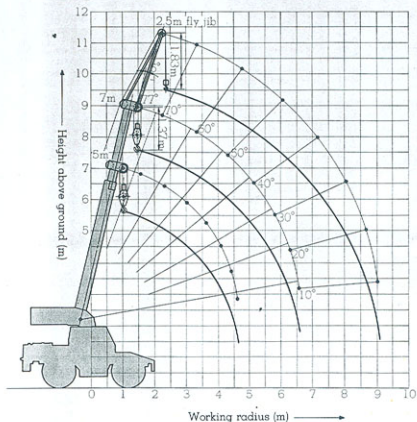


All dimensions and specifications are applicable to both the CTR80 and CTR60 unless otherwise specified.

**DIMENSIONS (Unit: mm)**



**WORKING RADIUS**(w/5-7m boom  
& 2.5m fly jib)**CTR60 RATED LIFTING CAPACITIES (w/5-7m boom)**

In metric tons, within 85% of tipping load

Radius (m)	On rubber		Carrying capacity**	
	Over front in 60° range*	360°	Over front center*	360°
2.0	5.50	5.50 at 19m	4.03	3.00
2.2	5.50	4.69	4.03	3.00
2.5	4.76	4.03	4.03	2.59
3.0	3.96	3.27	3.27	2.10
3.5	3.15	2.67	2.67	1.71
4.0	2.63	2.23	2.23	1.43
4.5	2.21	1.87	1.87	1.20
5.0	1.88	1.60	1.60	1.03
5.5	1.60	1.36	1.36	0.87
6.0	1.42	1.20	1.20	0.77
6.5	1.29	1.09	1.09	0.70

**CTR80 RATED LIFTING CAPACITIES (w/5-7m boom)**

In metric tons, within 85% of tipping load

Radius (m)	On outriggers 360°	On rubber		Carrying capacity**	
		Over front in 60° range*	360°	Over front center*	360°
2.0	7.25	5.50	5.50 at 19m	4.03	3.00
2.2	6.50	5.50	4.69	4.03	3.00
2.5	5.80	4.76	4.03	4.03	2.59
3.0	4.85	3.96	3.27	3.27	2.10
3.5	4.10	3.15	2.67	2.67	1.71
4.0	3.50	2.63	2.23	2.23	1.43
4.5	3.04	2.21	1.87	1.87	1.20
5.0	2.65	1.88	1.60	1.60	1.03
5.5	2.34	1.60	1.36	1.36	0.87
6.0	2.08	1.42	1.20	1.20	0.77
6.5	1.82	1.29	1.09	1.09	0.70

**CTR60 2.5m FLY JIB****RATED LIFTING CAPACITIES**

In metric tons, within 85% of tipping load

Boom angle	360° on rubber
77°	1.40
70°	1.40
60°	1.16
50°	0.91
40°	0.72
30°	0.55
20°	0.44
10°	0.41

**CTR80 2.5m FLY JIB****RATED LIFTING CAPACITIES**

In metric tons, within 85% of tipping load

Boom angle	360° on outriggers	360° on rubber
77°	1.80	1.80
70°	1.80	1.49
60°	1.60	1.16
50°	1.35	0.91
40°	1.16	0.72
30°	0.99	0.55
20°	0.88	0.44
10°	0.85	0.41

## SPECIFICATIONS

### MAX. LIFTING & CARRYING CAPACITIES (5.7-m & 5.8.5-m booms)

On outriggers, 360° (CTR80)	7.25 metric tons at 2m radius
On rubber, 60° front (w/double front tires)	5.50 metric tons at 2.2m radius
On rubber, 360°	5.50 metric tons at 1.9m radius
With fly jib (on outriggers & rubber, 360°) (on rubber, 360°)	1.8 metric tons (CTR80) 1.4 metric tons (CTR60)
Carrying, front center (w/double front tires)	4.03 metric tons at 2.5m radius
Carrying, 360°	3.00 metric tons at 2.2m radius

### WORKING RADIUS

3.7m boom	1m to 6.5m
5.7m boom + 2.5m fly jib	2m to 9m
5.8.5m boom	1m to 8m
5.8.5m boom + 2.5m fly jib	2m to 10.5m

### BOOM & FLY JIB

Standard boom (2 sections)	5m to 7m
Optional boom (2 sections)	5m to 8.5m
Fly jib (optional)	2.5m

### Boom extension/retraction speed:

5.7m boom	10.5 sec./2m
5.8.5m boom	Extension: 19.0 sec./3.5m Retraction: 15.0 sec./3.5m
Boom hoisting speed	Hoisting: 0° to 77° in 11.5 sec. Lowering: 77° to 0° in 9 sec.

### MAX. HOOK HEIGHT ABOVE GROUND

5.7m boom	7.6m
5.7m boom + 2.5m fly jib	9.6m
5.8.5m boom	9.0m
5.8.5m boom + 2.5m fly jib	11.0m

### HOOKBLOCKS

7.25-metric-ton-capacity (4-part line, CTR80):	65kg
5.5-metric-ton-capacity (4-part line, CTR60):	65kg
5.4-metric-ton-capacity* (3-part line, CTR80):	65kg
4.1-metric-ton-capacity* (3-part line, CTR60):	65kg
3.6-metric-ton-capacity* (2-part line, CTR80):	60kg
2.7-metric-ton-capacity* (2-part line, CTR60):	60kg
1.8-metric-ton-capacity* (1-part line, CTR80):	20kg
1.4-metric-ton-capacity* (1-part line, CTR60):	20kg

### LOAD HOIST

Axial piston hydraulic motor, spur reduction gear, grooveless drum, automatic brake
Wire rope: 6 × F1(29), I.W.R.C., regular Z-lay, 11.2mmφ 60m (CTR60: 10mmφ × 120m), breaking strength: 9.41 metric tons (CTR60: 6.89 metric tons)
Load hoisting line speed: 48m/min.
Load lowering line speed: 46m/min.

### SWING

Radial piston hydraulic motor, planetary reduction gear, wet single-disc brake, single-row ball bearing
Swing speed: 2.8rpm

### ENGINE, ETC.

ISUZU C240 4-cycle water-cooled diesel engine  
Total displacement: 2,369cc  
Rated output: 43PS/2,400rpm  
Max. torque: 13.7kg-m/2,000rpm  
Fuel consumption ratio: 220g/PS·h  
Fuel tank capacity: 110 liters  
Max. travel speed: 30km/h  
Gradeability: 16°15'

### TRANSMISSION

Dry single-disc clutch, 5-forward (synchromesh) and 1-reverse speed transmission, helical reduction gear, "no-slip" spiral bevel-gear differential

### STEERING

Fully hydraulic power steering (rear-wheel), direct-acting hydraulic cylinder & rotary valve (Orbitrol)  
Min. turning radius: 5.5m

### BRAKES

Hydraulic vacuum-boosted service brakes on all wheels, two safety valves, four-wheel-brake lock valve, mechanical parking brake (applied on propeller shaft)

### AXLES, WHEELS & TIRES

Fixed front axle, rear axle equipped with semi-elliptical leaf springs and two hydraulic lockout cylinders, double-wheel hubs in front (single tires standard, double tires optional), single-wheel hubs in rear, 10.00-20-14PR tires (air pressure: 6.75kg/cm<sup>2</sup>), front-wheel drive & rear-wheel steering  
Axle loading (with boom in front position):

	5.7m boom		5.8.5m boom	
	CTR80	CTR60	CTR80	CTR60
Front	3,305kg*	3,290kg*	3,565kg*	3,550kg*
Rear	5,380kg*	5,380kg*	5,275kg*	5,275kg*
TOTAL	8,685kg*	8,670kg*	8,840kg*	8,825kg*

\* Add 200kg when equipped with double tires

### HYDRAULIC SYSTEM

2 tandem-mounted gear pumps, 1 independent gear pump (for power steering), 4 tandem-mounted directional control valves  
Circuit pressure: 210kg/cm<sup>2</sup> (crane operations, CTR80)  
175kg/cm<sup>2</sup> (crane operations, CTR60)  
155kg/cm<sup>2</sup> (outriggers & swing)  
70kg/cm<sup>2</sup> (steering)

### OUTRIGGERS (CTR80 only)

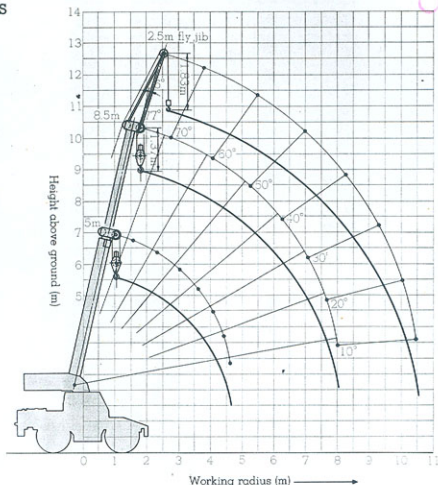
Fully hydraulic, wing-type, direct-acting hydraulic cylinders, check valves  
Stance: 2.7m  
Max. ground bearing pressure of pads: 8.5kg/cm<sup>2</sup>

### OPTIONS

Front double tires, Moment limiter  
5.8.5m boom  
2.5m fly jib  
5.6, 3.6- & 1.8-metric-ton-capacity hookblocks (CTR80)  
4.1-, 2.7- & 1.4-metric-ton-capacity hookblocks (CTR60)  
Cab oil-heater (hot water heater is standard)  
Cab cooler  
Radio  
Working lamp

Left-hand steering models are available as well as the standard right-hand models.

**WORKING RADIUS**  
(w/5-8.5m boom  
& 2.5m fly jib)



**CTR60 RATED LIFTING CAPACITIES (w/5-8.5m boom)**

Radius (m)	On rubber		Carrying capacity**	
	Over front in 60° range*	360°	Over front center*	360°
2.0	5.50	5.50 at 19m	4.03	3.00
2.2	5.50	4.69	4.03	3.00
2.5	4.76	4.03	4.03	2.59
3.0	3.71	3.14	3.14	2.01
3.5	2.97	2.58	2.58	1.66
4.0	2.43	2.06	2.06	1.32
4.5	2.03	1.72	1.72	1.10
5.0	1.73	1.47	1.47	0.94
5.5	1.48	1.25	1.25	0.81
6.0	1.32	1.12	1.12	0.72
6.5	1.19	1.01	1.01	0.65
7.0	1.07	0.91	0.91	0.58
7.5	0.97	0.82	0.82	0.52
8.0	0.90	0.76	0.76	0.50

\* Applicable only when equipped with double tires in front. With single tires, capacities are the same as those shown for full 360°.

\*\* Applicable when traveling at a speed lower than 5km/h.

\* All rated capacities are based on the machine being on a firm, level, uniformly supporting surface.

\* The weight of the lifting devices must be considered to be a part of the load.

\* The weight of loads carried on the deck should also be considered to be a part of the load.

\* The capacities shown in the area separated by thick borderlines are based on mechanical and structural strength.

**CTR80 RATED LIFTING CAPACITIES (w/5-8.5m boom)**

Radius (m)	On outriggers—360°		On rubber		Carrying capacity**	
	Up to 7m	Up to 8.5m	Over front in 60° range*	360°	Over front center*	360°
2.0	7.25	6.50	5.50	5.50 at 19m	4.03	3.00
2.2	6.50	6.50	5.50	4.69	4.03	3.00
2.5	5.80	5.80	4.76	4.03	4.03	2.59
3.0	4.85	4.85	3.71	3.14	3.14	2.01
3.5	4.10	4.10	2.97	2.58	2.58	1.66
4.0	3.50	3.50	2.43	2.06	2.06	1.32
4.5	3.04	3.04	2.03	1.72	1.72	1.10
5.0	2.65	2.65	1.73	1.47	1.47	0.94
5.5	2.34	2.34	1.48	1.25	1.25	0.81
6.0	2.05	2.05	1.32	1.12	1.12	0.72
6.5	1.82	1.82	1.19	1.01	1.01	0.65
7.0		1.62	1.07	0.91	0.91	0.58
7.5		1.44	0.97	0.82	0.82	0.52
8.0		1.30	0.90	0.76	0.76	0.50