

PK 18500

Performance

PALFINGER CRANE



THE UNIVERSAL TALENT



MULTIFUNCTIONAL AND RELIABLE

Ideally suitable for loading and unloading unit cargo and construction machinery, the PK 18500 *Performance* stands out by virtue of its reliability and versatility. Three stabiliser spreads and up to five hydraulic extension arms make it the perfect working unit for an extremely wide range of jobs.



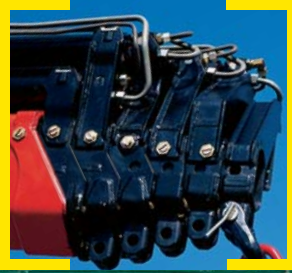
GREAT PERFORMANCE



THE IDEAL LOADING CRANE

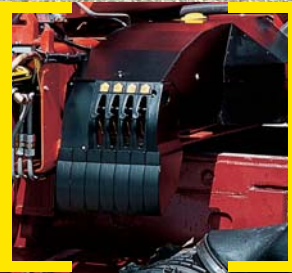
Adjustable slide blocks

These ensure optimal lateral guidance of the extension system.



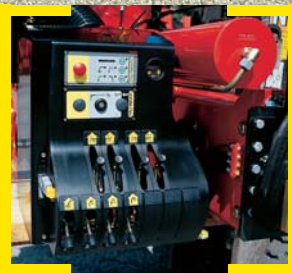
Functional Design

- Enclosure of the entire electronic system
- Enclosure in the area of the control valve



Ergonomic crane control

The operating levers for all crane functions are arranged ergonomically on the console. This facilitates comfortable, efficient working. The control console is mounted so that it is easy to service.



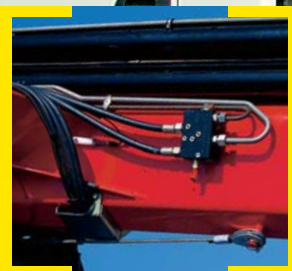
Load-holding valves

They prevent the crane arm from dropping and are mounted as standard on the elevating and knuckle-boom cylinder as well as on the extension arm. The valves are positioned in such a way that they are protected from being damaged.



Return oil utilisation

The high speed of the extension system is impressive. It results from return oil utilization feature, which is installed as standard, and the generously dimensioned hydraulic pipes. This makes for increased efficiency during all types of working!



KTL – the cathodic dip painting

The shot-blasted crane parts are covered in zinc phosphate in an immersion process and coated electro-statically. The subsequent two-component top coating of paint provides a surface protection which in the past was usually only found in the automotive industry.



PRECISION CONTROL



Extension system

The extension cylinders run on rollers.

Height compensation of the extension cylinders.



Hose equipment for accessories

With this option you can provide the oil supply to accessories. The hoses are routed in compact troughs and plastic link chains. They are therefore very well protected.



Internally routed oil ducts

The internally routed oil passages make it possible to have a compact design for the extension system and ensure perfect protection from damage.

Outriggers

The 4.8 m (15' 9") outrigger system installed as standard ensures good stability. As an option a 6.6 m (21' 9") telescopic outrigger is available. The pipework to the support cylinders is internally routed in the outriggers, providing a high level of protection from damage at all times. On request, the outriggers can be supplied with support cylinders that swivel up hydraulically through 180°.

Optional

- The radio remote control
- The PALTRONIC 50 electronic control system
- The hydraulic overload protection

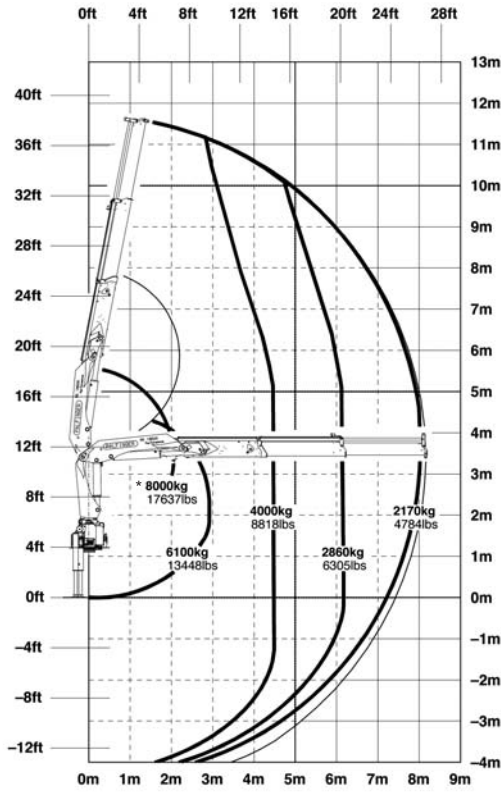


Central lubrication

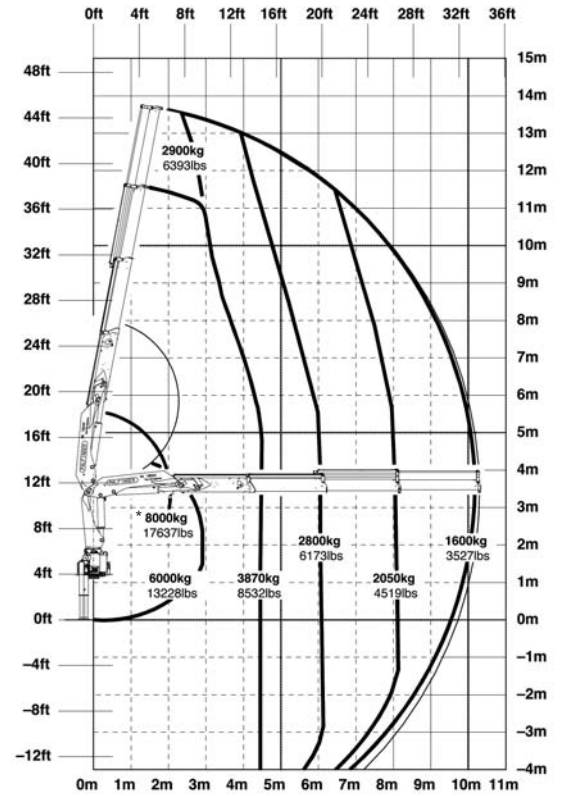
For all grease points on the base frame.

PK 18500 Performance

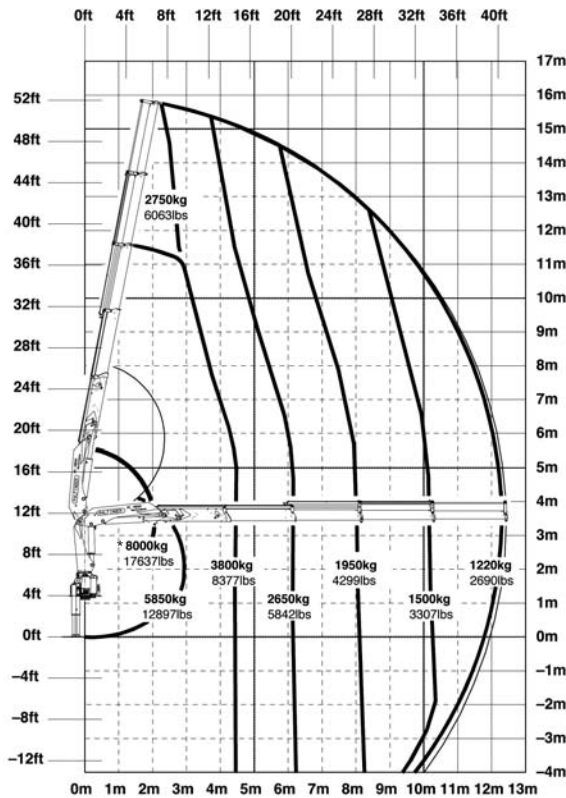
A



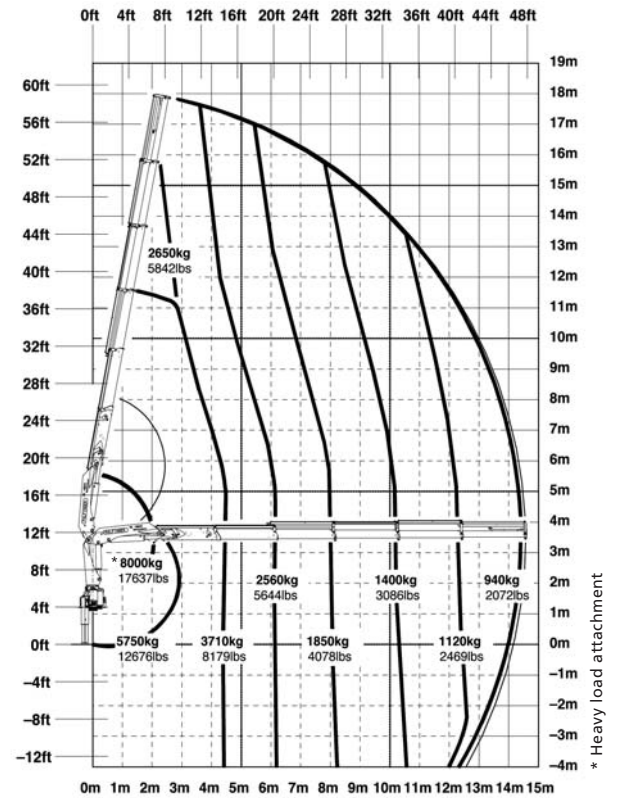
B



C



D



* Heavy load attachment



EXCELLENT MOVEMENT GEOMETRY

Max. lifting capacities

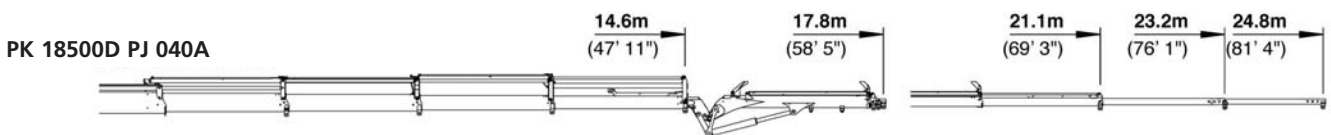
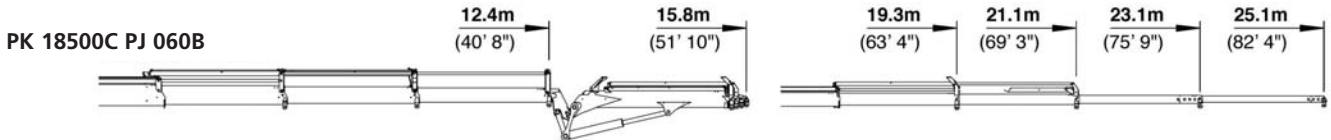
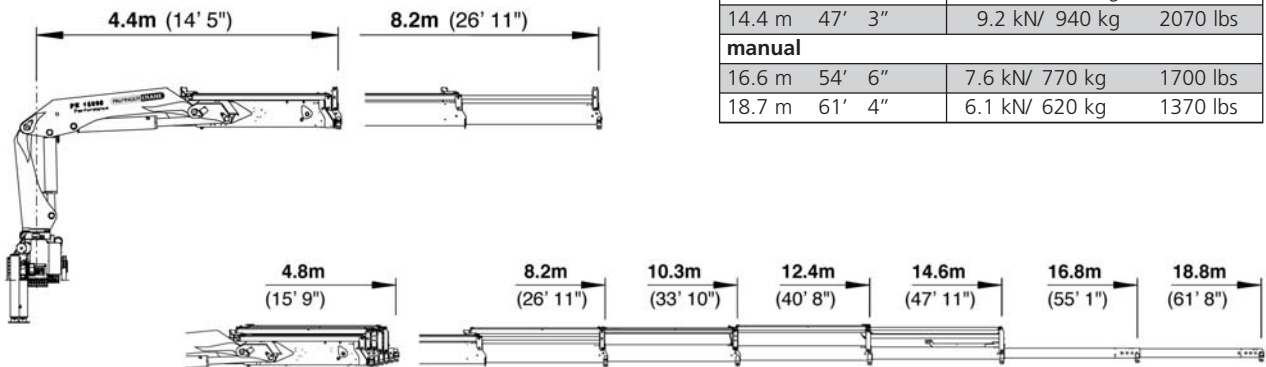
PK 18500 Performance A			
Max. lifting capacities			
		59.8 kN/6100 kg	13450 lbs
Outreach		Capacity	
hydraulic			
4.5 m	14' 9"	38.9 kN/3970 kg	8750 lbs
6.1 m	20' 0"	28.1 kN/2860 kg	6310 lbs
8.0 m	26' 3"	21.3 kN/2170 kg	4780 lbs

PK 18500 Performance B			
Max. lifting capacities			
		58.9 kN/6000 kg	13230 lbs
Outreach		Capacity	
hydraulic			
4.5 m	14' 9"	38.0 kN/3870 kg	8530 lbs
6.1 m	20' 0"	27.4 kN/2790 kg	6150 lbs
8.0 m	26' 3"	20.1 kN/2050 kg	4520 lbs
10.2 m	33' 6"	15.7 kN/1600 kg	3530 lbs
manual			
12.4 m	40' 8"	12.3 kN/1250 kg	2760 lbs
14.6 m	47' 11"	9.8 kN/1000 kg	2200 lbs
16.6 m	54' 6"	8.1 kN/ 830 kg	1830 lbs

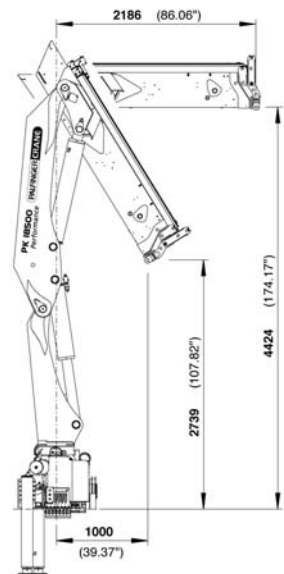
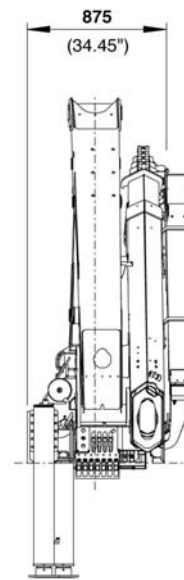
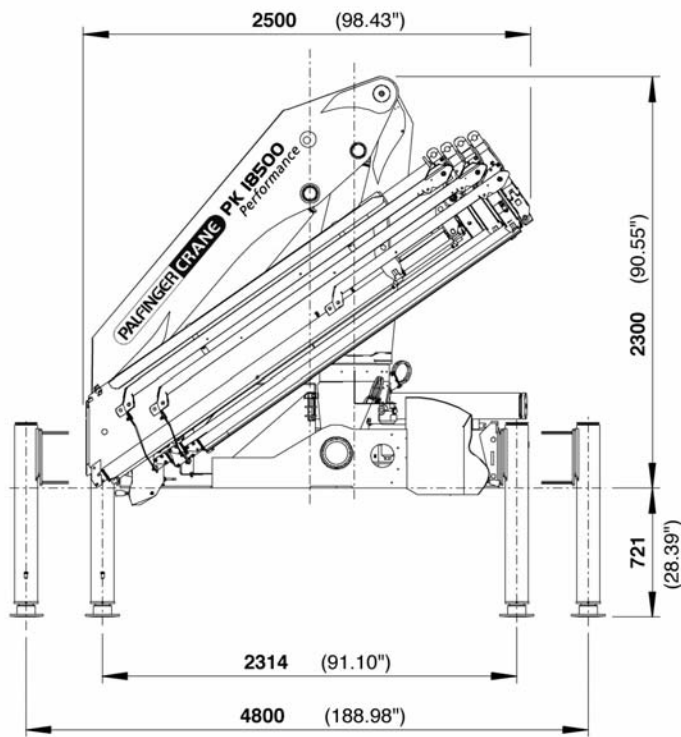
PK 18500 Performance C			
Max. lifting capacities			
		57.4 kN/5850 kg	12900 lbs
Outreach		Capacity	
hydraulic			
4.5 m	14' 9"	37.2 kN/3790 kg	8360 lbs
6.1 m	20' 0"	26.0 kN/2650 kg	5840 lbs
8.0 m	26' 3"	19.1 kN/1950 kg	4300 lbs
10.2 m	33' 6"	14.7 kN/1500 kg	3310 lbs
12.3 m	40' 4"	12.0 kN/1220 kg	2690 lbs
manual			
14.5 m	47' 7"	9.6 kN/ 980 kg	2160 lbs
16.7 m	54' 9"	7.9 kN/ 810 kg	1790 lbs
18.7 m	61' 4"	6.1 kN/ 620 kg	1370 lbs

PK 18500 Performance D			
Max. lifting capacities			
		56.4 kN/5750 kg	12680 lbs
Outreach		Capacity	
hydraulic			
4.5 m	14' 9"	36.4 kN/3710 kg	8180 lbs
6.1 m	20' 0"	25.1 kN/2560 kg	5640 lbs
8.0 m	26' 3"	18.1 kN/1850 kg	4080 lbs
10.2 m	33' 6"	13.6 kN/1390 kg	3060 lbs
12.3 m	40' 4"	11.0 kN/1120 kg	2470 lbs
14.4 m	47' 3"	9.2 kN/ 940 kg	2070 lbs
manual			
16.6 m	54' 6"	7.6 kN/ 770 kg	1700 lbs
18.7 m	61' 4"	6.1 kN/ 620 kg	1370 lbs

The outreaches stated are with a boom angle of 20° and are therefore not the maximum.



A GENUINE PALFINGER



PK 18500 Performance		
Technical Specifications (EN 12999 H1-B3)		
Max. lifting moment	18.3 mt/180.0 kNm	132710 ft.lbs
Max. lifting capacity	8000 kg/78.5 kN	17640 lbs
Max. hydraulic outreach	14.6 m	47' 11"
Max. manual outreach	18.8 m	61' 8"
Max. outreach (with fly-jib)	25.1 m	82' 4"
Slewing angle	400°	

PK 18500 Performance		
Standard crane		
Slewing torque	2.4 mt/24.0 kNm	17700 ft.lbs
Outreach	8.2 m	26' 11"
Stabilizer spread standard	4.8 m	15' 9"
Stabilizer spread max.	6.6 m	21' 9"
Fitting space required	0.88 m	2' 11"
Width folded	2.5 m	8' 2"
Max. operating pressure	300 bar	4350 psi
Recommended pump capacity	from 45 l/min 9.9 imp.gal./min 11.9 US gal./min to 65 l/min 14.3 imp.gal./min 17.2 US gal./min	
with RC- and LS-system	from 65 l/min 14.3 imp.gal./min 17.2 US gal./min to 80 l/min 17.6 imp.gal./min 21.1 US gal./min	
Dead weight standard crane	2117 kg	4670 lbs

Executions shown in the leaflet are not always corresponding to standard execution. Country-specific regulations are to be observed upon attachment.



We reserve the right to change design and specification without prior notice.

www.palfinger.com

KP-PK18500M1+E, 03/06