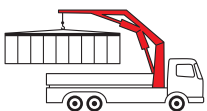


# PK 3400

Performance

**PALFINGER** CRANE

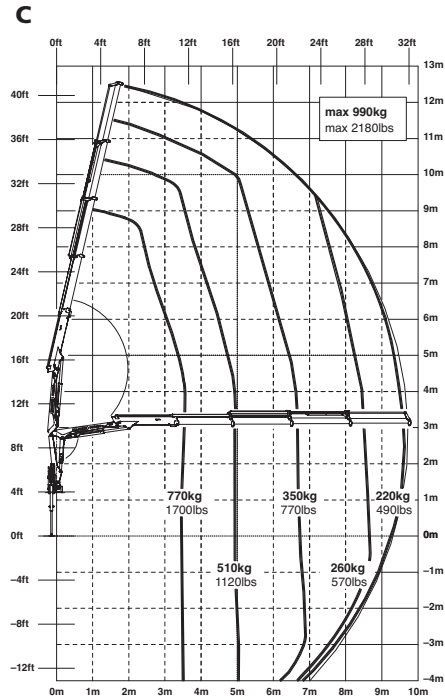
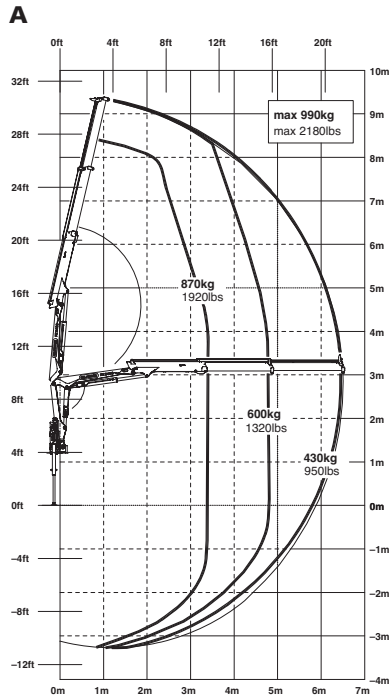


## The all-rounder

As a universal crane with a large hydraulic outreach, the PK 3400 is particularly well suited to use on multi-functional vehicles. A variety of different equipment versions enable the user to consider it for a wide range of possible uses. The completely reworked control valve reduces the pressure peaks acting on the crane even at full load. As a result this significantly increases safety during operation of the crane and prolongs the crane's service life.

Flexible in a variety of uses

### PK 3400 Performance



### Technical Specifications (EN 12999 H1-B3)

Max. lifting moment	3.1 mt/30.4 kNm	22430 ft.lbs
Max. lifting capacity	990 kg/9.7 kN	2180 lbs
Max. hydraulic outreach	9.8 m	32' 2"
Max. manual outreach	9.8 m	32' 2"
Slewing angle	370 °	
Slewing torque	0.40 mt/3.9 kNm	2890 ft.lbs

Stabilizer spread	std. 2.9 m/9' 6"	max. 4.1 m/13' 5"
Fitting space required (std.)	0.53 m	1' 9"
Width folded	1.9 m	6' 3"
Max. operating pressure	250 bar	3625 psi
Recommended pump capacity	15 l/min	4.0 US gal./min
Dead weight (std.)	447 kg	990 lbs

