

140 TON-

KRUPP CRANES

#193

OFFICE
COPY

DO NOT
Remove

 **KRUPP**

**ONE (1) NEW KRUPP 140 TON CAPACITY HYDRAULIC ALL-TERRAIN
CRANE MODEL KMK 5140 - INCLUDING THE FOLLOWING EQUIPMENT
AND FEATURES:**

SUPERSTRUCTURE

TELESCOPIC BOOM:

Boom length: 151 feet
Base boom plus 3 telescope sections

KRUPP-made, in high strength steel, minimum headroom boom head, consisting of a basic boom section and 3 telescopic sections.

LATTICE EXTENSION:

2-stage, 33'0"/53'0" in tubular lattice design, stowing along side base boom.
Offset angles of 16° and 30°.

MAIN HOIST:

Axial-piston motor with planetary gear and automatic multiple disk brake.

Single Line Pull: 15,000 lbs.
Single Line Speed: 394 fpm
Rope Diameter: 3/4 inch
Rope Length: 790 feet
Drum rotation indicator.

AUXILIARY HOIST:

Axial-piston motor with planetary gear and automatic multiple disk brake.

Single Line Pull: 15,000 lbs.
Single Line Speed: 394 fpm
Rope Diameter: 3/4 inch
Rope Length: 590 feet
Drum rotation indicator.

BOOM ELEVATION:

Single cylinder with safety check valves.
Boom angle from - 3.0° to + 84°.

SWING GEAR:

Vane motor with planetary gear and holding brake.
Swing speed infinitely variable from 0 to 1.5 rpm.

ENGINE:

Make: Mercedes-Benz
Model: OM 366 A
Type: Diesel
Coolant: Water
Cylinders: 6
Rating: 141 HP at 1800 R.P.M.
Fuel tank: 50 gallon

HYDRAULIC SYSTEM:

3 separate circuits in open circuit arrangement, comprising:
1 axial piston variable displacement double pump with cumulative flow control and 1 triple fixed displacement gear pump.
Tank capacity: 350 gallons hydraulic oil.

CONTROL SYSTEM:

All crane movements infinitely variable by hydraulic pilot control through armrest-integrated crane control levers with automatic reset to zero.

COUNTERWEIGHT:

Split into various sections for separate transportation.
Total weight: 46,300 lbs. Cylinders for counterweight assembly at the turntable.
Hydraulic installation/removal of all counterweight pieces.

OPERATOR'S CAB:

Full vision ALUMINUM cab, mounted on left-hand side of turntable, safety glass windows, hinged dormer window with windshield wiper, door with sliding windows, sunvisor and roller blind, tinted dormer window pane, engine hot water heater, fan and defroster. Seat with hydraulic suspension and neck support, adjustable control desk and armrest. Ergonomically arranged instrumentation and operating controls for crane and engine.

SAFETY EQUIPMENT:

ANTI-TWO BLOCK SWITCH
ELECTRONIC LOAD MOMENT safety device with automatic cut-out and digital display for actual and admissible load, radius and various working conditions. Equipped for use with lattice extension.

4 bearings including shift

CARRIER

CHASSIS:

5 Axle, all-welded torsion-resistant box-type construction of high strength steel.

OUTRIGGERS:

4 outriggers, hydraulically telescopable, independent horizontal and vertical movement control on each side of the chassis.

Outrigger spread: Length: 28'2"
Width 26'10"
Width: 17'9" (short base)

Spirit level for leveling control.

ENGINE:

Make: Mercedes-Benz
Model: OM 442 LA
Type: Diesel
Coolant: Water
Cylinders: 8 (V)
Rating: 503 HP at 2100 RPM
Filter: Heavy-duty air cleaner with safety cartridge.
Fuel tank: 100 gallon

TRANSMISSION:

Allison automatic transmission CLBT 755, with 2 drive programs, each with 5 forward and 1 reverse gear. Transfer case Kessler VG 1800, 2 speed, with longitudinal differential lock.

AXLES:

Drive - 10 x 8 x 10

1st axle line: steer
2nd axle line: drive-steer
3rd axle line: drive-steer
4th axle line: steer (off road only)
5th axle line: drive-steer

drive

(A driven axle line consists of 2 wheels with integrated planetary hub reduction and center-mounted differential gearing.)

**TRANSVERSE
DIFFERENTIAL LOCKS:**

Integrated in all center-mounted gearings including shift cylinder.

**INTERAXLE
DIFFERENTIAL LOCK:**

Integrated with the transfer case.

SUSPENSION:

Exclusive KRUPP "MEGA TRACK" independent hydropneumatic suspension and hydraulic axle lock-out.
Suspension level control
- Range: +6¹/₂" / -5¹/₂".
Automatic suspension level control by proximity switches.

TIRES:

~~10 - 20.5 X 25 Radial Type~~ 1600 X 25

STEERING:

ZF dual-circuit hydraulic power-assisted steering with steering cylinders for the steering axle lines.
Oil cooler.
Automatic switch-in of a stand-by steering pump at the transfer case in case of main pump failure.
During on-road travel, the 1st, 2nd, 3rd and 5th axles are steered.

**CENTRAL
LUBRICATION:**

Automatic lubrication of the entire steering system, with interval control.

BRAKES:

SERVICE BRAKE:

Pneumatic dual-circuit, acting on all wheels.
Drum brakes on all wheels.
(1st axle line with Duplex brake
2nd through 5th axle lines with Simplex brake)
Single-chamber air dryer with integrated pressure regulator.

PERMANENT BRAKE:

Hydraulic retarder integrated with Allison automatic transmission.

PARKING BRAKE:

Pneumatically operated spring-loaded brake acting on 2nd, 3rd, 4th and 5th axle line.

DRIVER'S CAB:

ALUMINUM, 2-man design, safety glass, laminated front windshield, windshield wipers, electric windshield washer, defroster nozzle, lockable doors with sliding windows, driver's seat with hydraulic suspension, engine hot water heater, heatable rear view mirrors.

Stereo radio / cassette.

THE CAB CAN BE TILTED FORWARD BY 60° FOR EASY ACCESS TO ENGINE, TRANSMISSION, HYDRAULIC PUMPS, HEATER AND BATTERIES.

Complete operating and driving controls: Axle lock-out, suspension level control, transfer case - neutral position, road and off-road gear, drive connect and disconnect, rear fog light, rear-view mirror heating, roof ventilation, rotating beacon, hazard warning light, differential locks.

Indicator lamps for:

Tachograph, odometer, oil pressure gauge for engine and transmission, air pressure gauge for both brake circuits, fuel gauge, temperature gauge for the engine, the oil of the Allison powershift and the hydraulic oil, pressure gauge and filter service interval indicator for the hydraulic system, steering pumps, generator direction indicator, main beam, service brake, parking brake, suspension blocking, oil filter, air filter, transfer case (road and off-road gear), engine coolant, off-road gear, differential locks, hazard warning light, rear fog light, converter lock-up clutch, drive connect and disconnect.

ELECTRIC SYSTEM:

Generator: 28 V / 55 A

2 batteries: 12 V / 170 Ah each

Lighting system 24 V: rear fog light reversing light, halogen work lamp, 2 rotating beacons.

Instrument panel:

Modular design, easy to fit by means of plug-and-socket connections; full drawout units (racks) to simplify servicing and replacement.

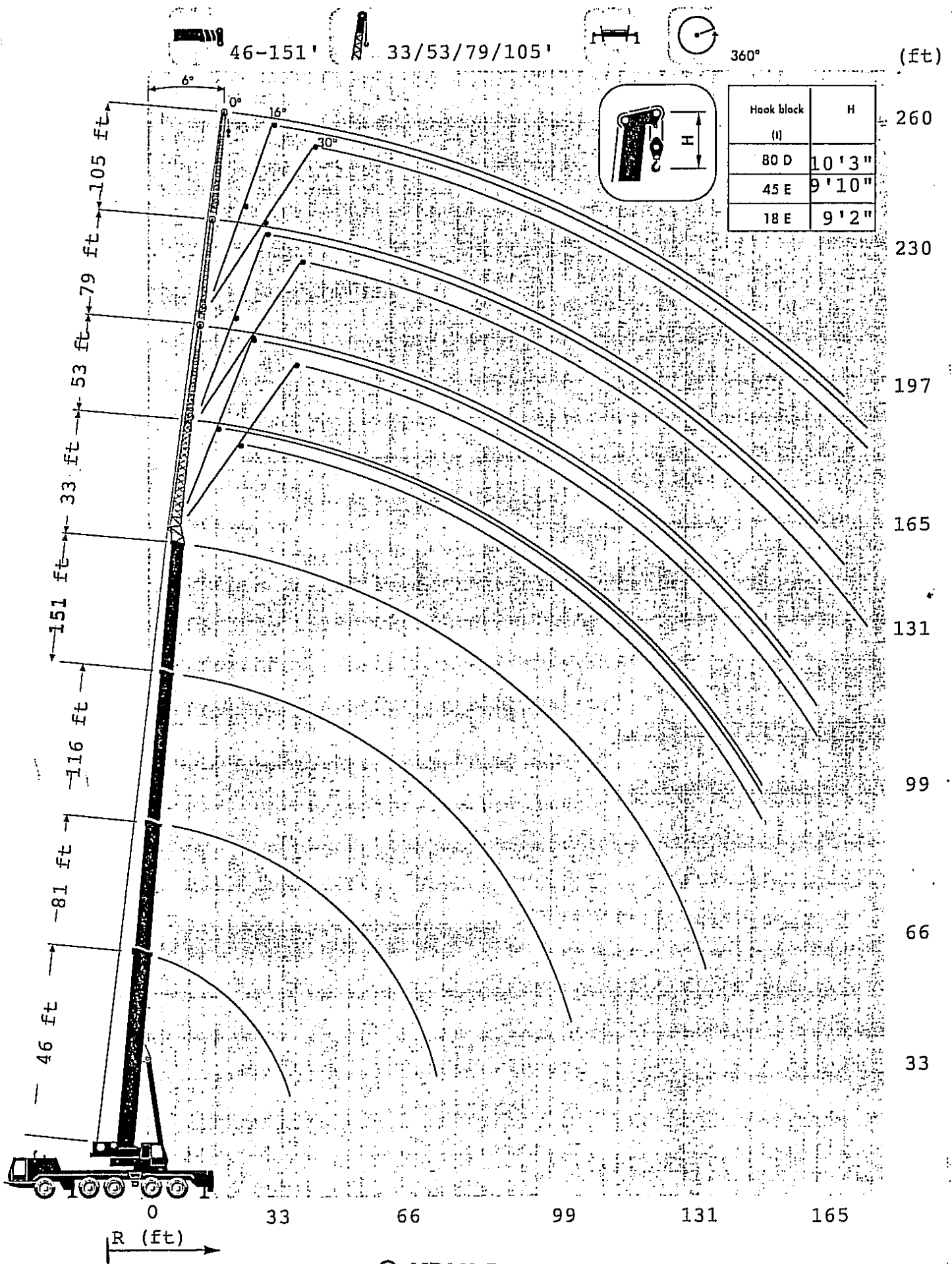
PERFORMANCE:

Traveling speeds: max. approx. 45 mph
min. near 0 mph

Gradeability: approx. 52.0%

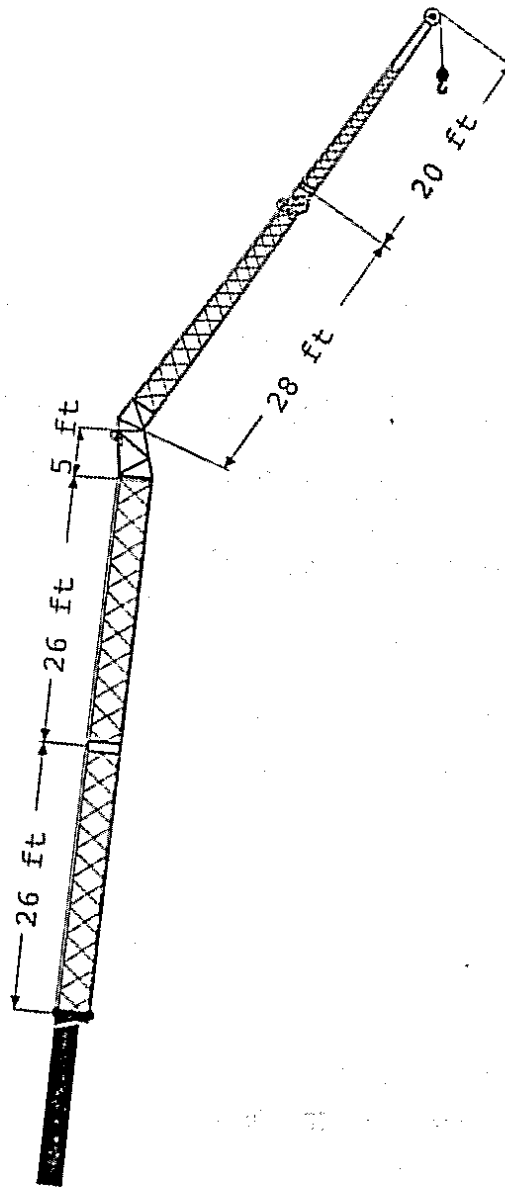
Turning radii: 48'4" over boom
45'4" over driver's cab

Working range



Boom extension configurations

KMK-5140



Total Length (ft)	Intermediate section boom extension make-up			
	26 ft	5 ft	28 ft	20 ft
33	-	1x	1x	-
53	-	1x	1x	1x
79	1x	1x	1x	1x
105	2x	1x	1x	1x

3 015 180 / 5 181

3 015 330 / 5 331

	Crane with 0 lbs (0,0 t) counterweight (supporting span 28.1 x 26.9 ft)							
	Main boom - fixed lengths in ft							
	46.1	63.6	63.6	81.0	81.0	81.0	98.5	98.5
Tel. sec. I	0.00	0.50	0.00	1.00	0.50	0.00	1.00	0.50
Tel. sec. II	0.00	0.00	0.25	0.00	0.25	0.50	0.25	0.50
Tel. sec. III	0.00	0.00	0.25	0.00	0.25	0.50	0.25	0.50
Slewing-range	360°							
Radius in ft	Lifting capacity in 1000 lbs							
10.0	219.0	198.0	85.0	136.0	85.0	85.0		
15.0	143.0	140.0	85.0	127.0	85.0	83.0	85.0	84.0
20.0	102.0	96.0	85.0	80.0	85.0	74.0	75.0	77.0
25.0	79.0	65.0	75.0	54.0	62.0	67.0	52.0	58.0
30.0	58.0	46.0	55.0	38.4	45.0	52.0	38.2	43.4
35.0	41.2	34.2	42.4	28.2	34.6	40.4	28.8	33.6
40.0		25.8	33.6	20.8	26.8	32.4	22.0	26.6
45.0		19.6	26.2	15.0	21.2	26.4	16.6	21.2
50.0		14.2	20.6	10.4	16.6	22.0	12.2	16.8
55.0				7.0	12.8	17.8	8.8	13.2
60.0				4.2	9.8	14.4	6.2	10.4
65.0				2.0	7.0	11.4	3.8	8.0
70.0					4.8	9.2	2.0	6.0
75.0								4.4
80.0								3.0
SLI-Code	110							
Max. permitted wind speed	14 m/sec							

3 015 180 / 5 181

3 015 330 / 5 331

	Crane with 0 lbs (0,0 t) counterweight (supporting span 28.1 x 26.9 ft)						
	Main boom - fixed lengths in ft						
	98.5	116.0	116.0	116.0	133.4	133.4	150.9
Tel. sec. I	0.00	1.00	0.50	0.00	1.00	0.50	1.00
Tel. sec. II	0.75	0.50	0.75	1.00	0.75	1.00	1.00
Tel. sec. III	0.75	0.50	0.75	1.00	0.75	1.00	1.00
Slewing-range	360°						
Radius in ft	Lifting capacity in 1000 lbs						
15.0	75.0						
20.0	72.0	69.0	68.0	57.0	53.0	53.0	41.2
25.0	64.0	50.0	54.0	54.0	47.0	51.0	41.2
30.0	48.0	37.0	41.2	46.0	35.8	39.4	34.2
35.0	38.4	28.4	32.4	36.4	28.0	31.4	27.2
40.0	31.0	22.2	26.0	29.8	22.2	25.4	21.6
45.0	25.6	17.2	21.0	24.6	17.4	20.8	17.2
50.0	21.2	13.0	16.8	20.6	13.6	16.8	13.6
55.0	17.6	9.8	13.4	17.2	10.4	13.6	10.6
60.0	14.6	7.0	10.6	14.2	7.8	11.0	8.2
65.0	12.2	4.8	8.4	11.8	5.8	8.8	6.0
70.0	10.0	3.0	6.4	9.8	4.0	7.0	4.4
75.0	8.0		4.8	8.2	2.4	5.4	2.8
80.0	6.4		3.4	6.8		4.0	
85.0	5.0		2.2	5.4		2.8	
90.0				4.2			
95.0				3.2			
100.0				2.2			
SLI-Code	110						
Max. permitted wind speed	14 m/sec						

LIFTING CAPACITIES: MAIN BOOM

LIFTING CAPACITIES FOR U S A
LENGTH in (feet), LIFTING CAPACITIES in 1000 lbs
SLEWING RANGE 360°
COUNTERWEIGHT 0
OUTRIGGER BASE 28' 2" X 26' 11"

1.Tel.	0.0	0.5	0.00	1.0	0.50	0.0	1.00	0.5	0.00
2.Tel.	0.0	0.0	0.25	0.0	0.25	0.5	0.25	0.5	0.00
3.Tel.	0.0	0.0	0.25	0.0	0.25	0.5	0.25	0.5	0.75
4.Tel.									0.75
RADIUS	BOOM-L 46.1	BOOM-L 63.6	BOOM-L 63.6	BOOM-L 81.0	BOOM-L 81.0	BOOM-L 81.0	BOOM-L 98.5	BOOM-L 98.5	BOOM-L 98.5
10.0	219.0	198.0	85.0	136.0	85.0	85.0			
15.0	143.0	140.0	85.0	127.0	85.0	83.0	85.0	84.0	75.0
20.0	102.0	96.0	85.0	80.0	85.0	74.0	75.0	77.0	72.0
25.0	79.0	65.0	75.0	54.0	62.0	67.0	52.0	58.0	64.0
30.0	58.0	46.0	55.0	38.4	45.0	52.0	38.2	43.4	48.0
35.0	41.2	34.2	42.4	28.2	34.6	40.4	28.8	33.6	38.4
40.0		25.8	33.6	20.8	26.8	32.4	22.0	26.6	31.0
45.0		19.6	26.2	15.0	21.2	26.4	16.6	21.2	25.6
50.0		14.2	20.6	10.4	16.6	22.0	12.2	16.8	21.2
55.0				7.0	12.8	17.8	8.8	13.2	17.6
60.0				4.2	9.8	14.4	6.2	10.4	14.6
65.0				2.0	7.0	11.4	3.8	8.0	12.2
70.0					4.8	9.2	2.0	6.0	10.0
75.0								4.4	8.0
80.0								3.0	6.4
85.0									5.0
LMB-CODE									

TELESKOPKRAN KMK 5140

Ident-Nr. 3015331

Datum: 17.07.1995

LIFTING CAPACITIES: MAIN BOOM

LIFTING CAPACITIES FOR U S A
 LENGTH in (feet), LIFTING CAPACITIES in 1000 lbs
 SLEWING RANGE 360°
 COUNTERWEIGHT 0
 OUTRIGGER BASE 28' 2" X 26' 11"

1.Tel.	1.0	0.50	0.00	1.00	0.50	1.00
2.Tel.	0.5	0.75	1.00	0.75	1.00	1.00
3.Tel.	0.5	0.75	1.00	0.75	1.00	1.00
4.Tel.						
RADIUS	BOOM-L 116.0	BOOM-L 116.0	BOOM-L 116.0	BOOM-L 133.4	BOOM-L 133.4	BOOM-L 150.9
20.0	69.0	68.0	57.0	53.0	53.0	41.2
25.0	50.0	54.0	54.0	47.0	51.0	41.2
30.0	37.0	41.2	46.0	35.8	39.4	34.2
35.0	28.4	32.4	36.4	28.0	31.4	27.2
40.0	22.2	26.0	29.8	22.2	25.4	21.6
45.0	17.2	21.0	24.6	17.4	20.8	17.2
50.0	13.0	16.8	20.6	13.6	16.8	13.6
55.0	9.8	13.4	17.2	10.4	13.6	10.6
60.0	7.0	10.6	14.2	7.8	11.0	8.2
65.0	4.8	8.4	11.8	5.8	8.8	6.0
70.0	3.0	6.4	9.8	4.0	7.0	4.4
75.0		4.8	8.2	2.4	5.4	2.8
80.0		3.4	6.8		4.0	
85.0		2.2	5.4		2.8	
90.0			4.2			
95.0			3.2			
100.0			2.2			
LMS-CODE						

LIFTING CAPACITIES: MAIN BOOM

LIFTING CAPACITIES FOR U S A
LENGTH in (feet), LIFTING CAPACITIES in 1000 lbs
SLEWING RANGE 360°
COUNTERWEIGHT 9,300 lbs.
OUTRIGGER BASE 28' 2" X 26' 11"

1.Tel.	0.0	0.5	0.00	1.0	0.50	0.0	1.00	0.5	0.00
2.Tel.	0.0	0.0	0.25	0.0	0.25	0.5	0.25	0.5	0.75
3.Tel.	0.0	0.0	0.25	0.0	0.25	0.5	0.25	0.5	0.75
4.Tel.									
RADIUS	BOOM-L 46.1	BOOM-L 63.6	BOOM-L 63.6	BOOM-L 81.0	BOOM-L 81.0	BOOM-L 81.0	BOOM-L 98.5	BOOM-L 98.5	BOOM-L 98.5
10.0	219.0	198.0	85.0	136.0	85.0	85.0			
15.0	149.0	146.0	85.0	132.0	85.0	83.0	85.0	84.0	75.0
20.0	106.0	103.0	85.0	102.0	85.0	74.0	85.0	77.0	72.0
25.0	82.0	79.0	84.0	78.0	82.0	67.0	80.0	70.0	64.0
30.0	65.0	63.0	68.0	59.0	65.0	61.0	60.0	65.0	57.0
35.0	50.0	46.0	53.0	43.8	50.0	55.0	45.0	50.0	51.0
40.0		33.8	40.4	32.0	37.4	42.0	34.8	39.2	43.0
45.0		25.4	32.0	23.6	28.8	33.4	26.6	30.6	34.4
50.0		19.4	25.6	17.6	22.6	27.2	20.6	24.4	28.0
55.0				13.2	17.8	22.2	15.8	19.6	23.2
60.0				9.6	14.2	18.4	12.2	15.8	19.2
65.0				6.8	11.2	15.2	9.2	12.8	16.2
70.0				4.2	8.8	12.8	6.8	10.2	13.6
75.0							4.8	8.2	11.4
80.0							3.0	6.4	9.6
85.0								4.8	8.0
LMB-CODE									

LIFTING CAPACITIES: MAIN BOOM

LIFTING CAPACITIES FOR U S A
 LENGTH in (feet), LIFTING CAPACITIES in 1000 lbs
 SLEWING RANGE 360°
 COUNTERWEIGHT 9,300 lbs.
 OUTRIGGER BASE 28' 2" x 26' 11"

1.Tel.	1.0	0.50	0.00	1.00	0.50	1.00
2.Tel.	0.5	0.75	1.00	0.75	1.00	1.00
3.Tel.	0.5	0.75	1.00	0.75	1.00	1.00
4.Tel.						
RADIUS	BOOM-L 116.0	BOOM-L 116.0	BOOM-L 116.0	BOOM-L 133.4	BOOM-L 133.4	BOOM-L 150.9
20.0	72.0	68.0	57.0	53.0	53.0	41.2
25.0	68.0	65.0	54.0	53.0	53.0	41.2
30.0	59.0	60.0	49.0	53.0	50.0	41.2
35.0	45.0	49.0	43.8	45.0	46.0	41.2
40.0	35.2	39.2	39.6	35.4	39.0	35.2
45.0	28.2	32.0	35.0	28.6	32.0	28.6
50.0	22.4	25.6	28.6	23.4	26.6	23.6
55.0	17.6	20.6	23.8	19.0	21.8	19.4
60.0	13.8	16.8	19.8	15.2	18.0	16.0
65.0	10.8	13.8	16.8	12.2	14.8	13.2
70.0	8.4	11.2	14.2	9.8	12.2	10.6
75.0	6.4	9.2	12.0	7.6	10.2	8.6
80.0	4.6	7.4	10.2	6.0	8.4	6.8
85.0	3.0	5.8	8.6	4.4	6.8	5.2
90.0		4.4	7.2	3.0	5.4	3.8
95.0		3.2	6.0		4.2	2.6
100.0		2.0	4.8		3.0	
105.0					2.0	
LMB-CODE						

LIFTING CAPACITIES: MAIN BOOM

LIFTING CAPACITIES FOR U S A
LENGTH in (feet), LIFTING CAPACITIES in 1000 lbs
SLEWING RANGE 360°
COUNTERWEIGHT 27,800 lbs.
OUTRIGGER BASE 28' 2" x 26' 11"

1.Tel.	0.0	0.5	0.00	1.0	0.50	0.0	1.00	0.5	0.00
2.Tel.	0.0	0.0	0.25	0.0	0.25	0.5	0.25	0.5	0.75
3.Tel.	0.0	0.0	0.25	0.0	0.25	0.5	0.25	0.5	0.75
4.Tel.									
RADIUS	BOOM-L 46.1	BOOM-L 63.6	BOOM-L 63.6	BOOM-L 81.0	BOOM-L 81.0	BOOM-L 81.0	BOOM-L 98.5	BOOM-L 98.5	BOOM-L 98.5
10.0	*/219.0	198.0	85.0	136.0	85.0	85.0			
15.0	160.0	154.0	85.0	132.0	85.0	83.0	85.0	84.0	75.0
20.0	115.0	112.0	85.0	110.0	85.0	74.0	85.0	77.0	72.0
25.0	89.0	86.0	85.0	85.0	85.0	67.0	85.0	70.0	64.0
30.0	71.0	68.0	73.0	67.0	71.0	61.0	69.0	65.0	57.0
35.0	59.0	56.0	61.0	55.0	59.0	56.0	57.0	60.0	51.0
40.0		47.0	52.0	46.0	49.0	51.0	48.0	50.0	46.0
45.0		37.6	43.6	35.8	40.8	45.0	38.8	42.4	42.2
50.0		29.8	36.0	28.2	33.0	37.2	31.0	34.8	38.2
55.0				22.4	27.0	31.4	25.0	28.8	32.2
60.0				17.8	22.4	26.6	20.4	24.0	27.4
65.0				14.2	18.6	22.8	16.8	20.2	23.6
70.0				11.2	15.4	19.4	13.6	17.0	20.4
75.0							11.0	14.4	17.6
80.0							8.8	12.2	15.4
85.0							7.0	10.2	13.4
LMB-CODE									

* 241 (1000lbs) x 10 (ft) with special equipment

LIFTING CAPACITIES: MAIN BOOM

LIFTING CAPACITIES FOR U S A
 LENGTH in (feet), LIFTING CAPACITIES in 1000 lbs
 SLEWING RANGE 360°
 COUNTERWEIGHT 27,800 lbs.
 OUTRIGGER BASE 28' 2" X 26' 11"

1.Tel.	1.0	0.50	0.00	1.00	0.50	1.00
2.Tel.	0.5	0.75	1.00	0.75	1.00	1.00
3.Tel.	0.5	0.75	1.00	0.75	1.00	1.00
4.Tel.						
RADIUS	BOOM-L 116.0	BOOM-L 116.0	BOOM-L 116.0	BOOM-L 133.4	BOOM-L 133.4	BOOM-L 150.9
20.0	72.0	68.0	57.0	53.0	53.0	41.2
25.0	68.0	65.0	54.0	53.0	53.0	41.2
30.0	65.0	60.0	49.0	53.0	50.0	41.2
35.0	58.0	55.0	43.8	53.0	46.0	41.2
40.0	49.0	51.0	39.6	50.0	42.0	41.2
45.0	40.6	43.6	36.0	41.0	38.8	39.4
50.0	32.8	35.8	33.0	34.2	35.8	34.4
55.0	26.8	29.8	30.2	28.2	31.0	29.2
60.0	22.0	25.0	27.8	23.6	26.2	24.4
65.0	18.2	21.2	24.2	19.6	22.2	20.6
70.0	15.2	18.0	20.8	16.6	19.0	17.4
75.0	12.6	15.4	18.2	13.8	16.4	14.8
80.0	10.4	13.2	15.8	11.6	14.0	12.6
85.0	8.4	11.2	13.8	9.8	12.2	10.6
90.0	6.8	9.4	12.2	8.0	10.4	8.8
95.0	5.4	8.0	10.6	6.6	9.0	7.4
100.0	4.0	6.6	9.2	5.2	7.6	6.0
105.0				4.2	6.4	5.0
110.0				3.2	5.4	3.8
115.0				2.2	4.4	3.0
120.0					3.6	2.0
LMB-CODE						

Handwritten notes:
 120' / 55' / 2TK
 70'-80' / 50' / 2TK
 8-90004

LIFTING CAPACITIES: MAIN BOOM

LIFTING CAPACITIES FOR U S A
 LENGTH in (feet), LIFTING CAPACITIES in 1000 lbs
 SLEWING RANGE 360°
 COUNTERWEIGHT 46,300 lbs.
 OUTRIGGER BASE 28' 2" X 26' 11"

1.Tel.	0.0	0.5	0.00	1.0	0.50	0.0	1.00	0.5	0.00
2.Tel.	0.0	0.0	0.25	0.0	0.25	0.5	0.25	0.5	0.00
3.Tel.	0.0	0.0	0.25	0.0	0.25	0.5	0.25	0.5	0.75
4.Tel.									0.75
RADIUS	BOOM-L 46.1	BOOM-L 63.6	BOOM-L 63.6	BOOM-L 81.0	BOOM-L 81.0	BOOM-L 81.0	BOOM-L 98.5	BOOM-L 98.5	BOOM-L 98.5
10.0	*/219.0	198.0	85.0	136.0	85.0	85.0			
15.0	163.0	154.0	85.0	132.0	85.0	83.0	85.0	84.0	75.0
20.0	123.0	120.0	85.0	111.0	85.0	74.0	85.0	77.0	72.0
25.0	95.0	93.0	85.0	91.0	85.0	67.0	85.0	70.0	64.0
30.0	77.0	74.0	79.0	73.0	77.0	61.0	75.0	65.0	57.0
35.0	63.0	61.0	66.0	60.0	63.0	56.0	62.0	60.0	51.0
40.0		51.0	56.0	50.0	53.0	51.0	52.0	55.0	46.0
45.0		43.4	48.0	42.2	46.0	48.0	44.0	47.0	42.2
50.0		37.2	41.8	36.0	39.6	42.8	38.2	40.8	38.6
55.0				31.0	34.6	37.8	33.2	35.8	35.8
60.0				26.0	30.4	33.6	28.6	31.6	33.0
65.0				21.6	26.0	30.0	24.2	27.6	30.6
70.0				17.8	22.2	26.2	20.4	23.8	27.0
75.0							17.2	20.6	23.8
80.0							14.6	17.8	21.0
85.0							12.4	15.6	18.6
LMB-CODE									

* 241 (1000lbs) x 10 (ft) with special equipment

LIFTING CAPACITIES: MAIN BOOM

LIFTING CAPACITIES FOR U S A
 LENGTH in (feet), LIFTING CAPACITIES in 1000 lbs
 SLEWING RANGE 360°
 COUNTERWEIGHT 46,300 lbs.
 OUTRIGGER BASE 28' 2" X 26' 11"

1.Tel.	1.0	0.50	0.00	1.00	0.50	1.00
2.Tel.	0.5	0.75	1.00	0.75	1.00	1.00
3.Tel.	0.5	0.75	1.00	0.75	1.00	1.00
4.Tel.						
RADIUS	BOOM-L 116.0	BOOM-L 116.0	BOOM-L 116.0	BOOM-L 133.4	BOOM-L 133.4	BOOM-L 150.9
20.0	72.0	68.0	57.0	53.0	53.0	41.2
25.0	68.0	65.0	54.0	53.0	53.0	41.2
30.0	65.0	60.0	49.0	53.0	50.0	41.2
35.0	60.0	55.0	43.8	53.0	46.0	41.2
40.0	53.0	51.0	39.6	51.0	42.0	41.2
45.0	45.0	47.0	36.0	46.0	38.8	39.4
50.0	39.4	41.6	33.0	40.4	35.8	37.0
55.0	34.4	36.6	30.2	35.4	33.2	34.8
60.0	30.0	32.4	27.8	31.2	31.0	31.8
65.0	25.6	28.6	25.8	27.0	28.6	28.0
70.0	22.0	24.8	24.2	23.2	25.8	24.2
75.0	18.8	21.6	22.6	20.2	22.6	21.0
80.0	16.0	18.8	21.2	17.4	19.8	18.2
85.0	13.8	16.4	19.2	15.0	17.4	15.8
90.0	11.8	14.4	17.2	13.0	15.4	13.8
95.0	10.0	12.6	15.2	11.2	13.6	12.0
100.0	8.4	11.0	13.6	9.8	12.0	10.6
105.0				8.4	10.6	9.0
110.0				7.0	9.4	7.8
115.0				6.0	8.2	6.6
120.0				5.0	7.2	5.6
125.0						4.8
130.0						3.8
135.0						3.0
LMB-CODE						

LIFTING CAPACITIES: LATTICE EXTENSION

LIFTING CAPACITIES FOR U S A
 LENGTH in (feet), LIFTING CAPACITIES in 1000 lbs
 SLEWING RANGE 360°
 COUNTERWEIGHT 46,300 lbs.
 OUTRIGGER BASE 28' 2" X 26' 11"

Length Offset	33 ft. 0°	33 ft. 0°	33 ft. 0°	33 ft. 0°	33 ft. 0°	33 ft. 0°
1.Tel.	1.0	0.0	1.0	0.0	1.00	1.0
2.Tel.	0.25	0.75	0.5	1.0	0.75	1.0
3.Tel.	0.25	0.75	0.5	1.0	0.75	1.0
4.Tel.						
RADIUS	BOOM-L 98.5	BOOM-L 98.5	BOOM-L 116.0	BOOM-L 116.0	BOOM-L 133.4	BOOM-L 150.9
20.0	30.8	30.8	28.6	26.2		
25.0	30.4	29.0	28.6	26.2	24.0	
30.0	27.6	26.4	27.4	25.8	24.0	20.6
35.0	25.2	24.2	25.6	24.4	24.0	20.6
40.0	23.2	22.4	23.8	22.8	23.6	20.6
45.0	21.4	20.8	22.4	21.4	22.2	20.4
50.0	19.8	19.4	21.0	20.2	21.2	20.4
55.0	18.6	18.2	19.6	19.0	20.0	19.8
60.0	17.4	17.2	18.6	18.0	19.0	19.0
65.0	16.4	16.0	17.6	17.0	18.2	18.2
70.0	15.4	15.2	16.6	16.0	17.4	17.4
75.0	14.4	14.2	15.6	15.2	16.6	16.8
80.0	13.4	13.2	14.6	14.2	15.8	16.2
85.0	12.8	12.6	13.8	13.6	15.0	15.4
90.0	12.2	12.0	13.2	13.0	14.4	14.8
95.0	11.6	11.6	12.8	12.4	13.2	13.6
100.0	10.6	11.0	11.2	12.0	11.6	12.0
105.0	9.2	10.6	9.8	11.6	10.2	10.6
110.0	8.0	10.2	8.6	11.2	9.0	9.4
115.0	6.8	9.8	7.4	10.8	7.8	8.2
120.0			6.4	10.4	6.8	7.2
125.0			5.4	9.4	5.8	6.2
130.0			4.6	8.6	5.0	5.2
135.0			3.8	7.8	4.2	4.4
140.0					3.4	3.8
145.0					2.8	3.0
150.0					2.0	2.4
LMB- CODE						

LIFTING CAPACITIES: LATTICE EXTENSION

LIFTING CAPACITIES FOR U S A
 LENGTH in (feet), LIFTING CAPACITIES in 1000 lbs
 SLEWING RANGE 360°
 COUNTERWEIGHT 46,300 lbs.
 OUTRIGGER BASE 28' 2" X 26' 11"

Length Offset	33 ft. 16°	33 ft. 16°	33 ft. 16°	33 ft. 16°	33 ft. 16°	33 ft. 16°
1.Tel.	1.0	0.0	1.0	0.0	1.00	1.0
2.Tel.	0.25	0.75	0.5	1.0	0.75	1.0
3.Tel.	0.25	0.75	0.5	1.0	0.75	1.0
4.Tel.						
RADIUS	BOOM-L 98.5	BOOM-L 98.5	BOOM-L 116.0	BOOM-L 116.0	BOOM-L 133.4	BOOM-L 150.9
25.0	21.0	20.6				
30.0	19.6	19.2	19.8	19.2	19.6	
35.0	18.4	18.2	18.8	18.2	18.6	
40.0	17.4	17.0	17.8	17.4	17.8	17.4
45.0	16.4	16.2	17.0	16.6	17.0	16.8
50.0	15.6	15.0	16.2	15.8	16.4	16.2
55.0	14.8	14.2	15.4	15.0	15.6	15.6
60.0	14.0	13.4	14.6	14.2	14.8	14.8
65.0	13.0	12.8	13.6	13.4	14.0	14.2
70.0	12.6	12.4	13.2	13.0	13.6	13.6
75.0	12.0	12.0	12.6	12.6	13.0	13.2
80.0	11.6	11.4	12.2	12.0	12.6	12.8
85.0	11.2	11.0	11.8	11.6	12.2	12.6
90.0	10.8	10.8	11.4	11.4	12.0	12.2
95.0	10.4	10.4	11.2	11.0	11.6	11.8
100.0	10.2	10.2	10.8	10.6	11.2	11.6
105.0	9.8	10.0	10.4	10.4	11.0	11.4
110.0	8.4	9.8	9.2	10.2	9.6	10.0
115.0	7.2	9.8	7.8	10.0	8.4	8.8
120.0			6.8	9.8	7.2	7.6
125.0			5.8	9.6	6.2	6.6
130.0			4.8	8.8	5.4	5.8
135.0					4.4	5.0
140.0					3.6	4.2
145.0					3.0	3.4
150.0					2.2	2.8
155.0						2.0
LMB-CODE						

LIFTING CAPACITIES: LATTICE EXTENSION

LIFTING CAPACITIES FOR U S A
 LENGTH in (feet), LIFTING CAPACITIES in 1000 lbs
 SLEWING RANGE 360°
 COUNTERWEIGHT 46,300 lbs.
 OUTRIGGER BASE 28' 2" x 26' 11"

Length Offset	33 ft. 30°	33 ft. 30°	33 ft. 30°	33 ft. 30°	33 ft. 30°	33 ft. 30°
1.Tel.	1.0	0.0	1.0	0.0	1.00	1.0
2.Tel.	0.25	0.75	0.5	1.0	0.75	1.0
3.Tel.	0.25	0.75	0.5	1.0	0.75	1.0
4.Tel.						
RADIUS	BOOM-L 98.5	BOOM-L 98.5	BOOM-L 116.0	BOOM-L 116.0	BOOM-L 133.4	BOOM-L 150.9
30.0	15.2	14.4				
35.0	14.4	14.2	14.4	14.2		
40.0	13.8	13.6	14.0	13.6	14.0	13.6
45.0	13.2	13.2	13.4	13.2	13.6	13.4
50.0	12.8	12.8	13.0	12.8	13.2	13.0
55.0	12.4	12.4	12.6	12.4	12.8	12.8
60.0	12.0	12.0	12.4	12.2	12.6	12.4
65.0	11.6	11.4	12.0	11.8	12.2	12.2
70.0	11.2	11.2	11.6	11.6	11.8	12.0
75.0	11.0	10.8	11.4	11.2	11.6	11.6
80.0	10.6	10.6	11.0	11.0	11.2	11.4
85.0	10.4	10.4	10.8	10.6	11.0	11.2
90.0	10.2	10.2	10.6	10.4	10.8	11.0
95.0	10.0	10.0	10.4	10.2	10.6	10.8
100.0	9.8	9.8	10.2	10.0	10.4	10.6
105.0			10.0	10.0	10.2	10.4
110.0			9.4	10.0	10.0	10.2
115.0			8.2	9.8	8.8	9.2
120.0					7.6	8.0
125.0					6.6	7.0
130.0					5.6	6.0
135.0						5.2
140.0						4.4
145.0						3.6
150.0						2.8
LMB-CODE						

LIFTING CAPACITIES: LATTICE EXTENSION

LIFTING CAPACITIES FOR U S A
 LENGTH in (feet), LIFTING CAPACITIES in 1000 lbs
 SLEWING RANGE 360°
 COUNTERWEIGHT 46,300 lbs.
 OUTRIGGER BASE 28' 2" X 26' 11"

Length Offset	53 ft. 0°	53 ft. 0°	53 ft. 0°	53 ft. 0°	53 ft. 0°	53 ft. 0°
1.Tel.	1.0	0.0	1.0	0.0	1.00	1.0
2.Tel.	0.25	0.75	0.5	1.0	0.75	1.0
3.Tel.	0.25	0.75	0.5	1.0	0.75	1.0
4.Tel.						
RADIUS	BOOM-L 98.5	BOOM-L 98.5	BOOM-L 116.0	BOOM-L 116.0	BOOM-L 133.4	BOOM-L 150.9
20.0	15.4	15.4				
25.0	15.4	15.4	15.4			
30.0	15.4	15.4	15.4	15.2	14.6	
35.0	15.4	15.4	15.4	15.0	14.4	13.4
40.0	15.2	14.4	15.4	14.4	14.0	13.2
45.0	13.8	13.4	14.2	13.6	13.8	12.8
50.0	12.8	12.6	13.2	12.8	13.4	12.4
55.0	12.0	11.8	12.6	12.2	12.6	12.2
60.0	11.2	11.0	11.8	11.6	12.0	11.8
65.0	10.6	10.4	11.2	11.0	11.4	11.4
70.0	10.0	9.8	10.6	10.4	11.0	11.0
75.0	9.6	9.4	10.2	10.0	10.6	10.6
80.0	9.0	8.8	9.6	9.4	10.0	10.2
85.0	8.6	8.4	9.2	9.0	9.6	9.8
90.0	8.2	8.0	8.8	8.6	9.2	9.4
95.0	7.8	7.8	8.4	8.2	8.8	9.2
100.0	7.4	7.4	8.0	8.0	8.6	8.8
105.0	7.2	7.2	7.8	7.6	8.2	8.6
110.0	7.0	6.8	7.6	7.4	8.0	8.2
115.0	6.6	6.6	7.2	7.2	7.8	8.0
120.0	6.4	6.4	7.0	6.8	7.4	7.8
125.0	6.2	6.2	6.8	6.6	7.2	7.4
130.0	5.8	5.8	6.2	6.4	6.2	6.4
135.0	5.0	5.6	5.2	6.2	5.4	5.6
140.0			4.6	6.0	4.8	4.8
145.0			3.8	6.0	4.0	4.2
150.0			3.2	5.8	3.4	3.6
155.0			2.6	5.6	2.8	3.0
160.0					2.2	2.4
LME- CODE						

LIFTING CAPACITIES: LATTICE EXTENSION

LIFTING CAPACITIES FOR U S A
LENGTH in (feet), LIFTING CAPACITIES in 1000 lbs
SLEWING RANGE 360°
COUNTERWEIGHT 46,300 lbs.
OUTRIGGER BASE 28' 2" X 26' 11"

Length Offset	53 ft. 16°	53 ft. 16°	53 ft. 16°	53 ft. 16°	53 ft. 16°	53 ft. 16°
1.Tel.	1.0	0.0	1.0	0.0	1.00	1.0
2.Tel.	0.25	0.75	0.5	1.0	0.75	1.0
3.Tel.	0.25	0.75	0.5	1.0	0.75	1.0
4.Tel.						
RADIUS	BOOM-L 98.5	BOOM-L 98.5	BOOM-L 116.0	BOOM-L 116.0	BOOM-L 133.4	BOOM-L 150.9
35.0	11.6	11.4				
40.0	11.0	10.8	11.2	10.8	11.0	
45.0	10.4	10.2	10.6	10.4	10.6	
50.0	9.8	9.8	10.0	10.0	10.2	10.0
55.0	9.4	9.2	9.6	9.4	9.8	9.8
60.0	9.0	8.8	9.2	9.2	9.4	9.4
65.0	8.6	8.4	8.8	8.8	9.0	9.0
70.0	8.2	8.2	8.6	8.4	8.8	8.8
75.0	7.8	7.8	8.2	8.0	8.4	8.6
80.0	7.6	7.4	7.8	7.8	8.2	8.2
85.0	7.2	7.2	7.6	7.6	7.8	8.0
90.0	7.0	7.0	7.4	7.2	7.6	7.8
95.0	6.8	6.8	7.2	7.0	7.4	7.6
100.0	6.6	6.6	7.0	6.8	7.2	7.4
105.0	6.4	6.4	6.8	6.6	7.0	7.2
110.0	6.2	6.2	6.6	6.6	6.8	7.0
115.0	6.0	6.0	6.4	6.4	6.6	6.8
120.0	6.0	5.8	6.2	6.2	6.4	6.6
125.0	5.8	5.8	6.0	6.0	6.4	6.6
130.0	5.6	5.6	5.8	5.8	6.2	6.4
135.0	5.4	5.6	5.8	5.8	6.0	6.2
140.0			5.0	5.8	5.4	5.6
145.0			4.4	5.6	4.6	5.0
150.0			3.6	5.6	4.0	4.2
155.0					3.2	3.6
160.0					2.6	3.0
165.0					2.0	2.4
LMB-CODE						

LIFTING CAPACITIES: LATTICE EXTENSION

LIFTING CAPACITIES FOR U S A
 LENGTH in (feet), LIFTING CAPACITIES in 1000 lbs
 SLEWING RANGE 360°
 COUNTERWEIGHT 46,300 lbs.
 OUTRIGGER BASE 28' 2" X 26' 11" -

Length Offset	53 ft. 30°	53 ft. 30°	53 ft. 30°	53 ft. 30°	53 ft. 30°	53 ft. 30°
1.Tel.	1.0	0.0	1.0	0.0	1.00	1.0
2.Tel.	0.25	0.75	0.5	1.0	0.75	1.0
3.Tel.	0.25	0.75	0.5	1.0	0.75	1.0
4.Tel.						
RADIUS	BOOM-L 98.5	BOOM-L 98.5	BOOM-L 116.0	BOOM-L 116.0	BOOM-L 133.4	BOOM-L 150.9
45.0	8.6	8.6				
50.0	8.2	8.2	8.4	8.2	8.4	
55.0	8.0	8.0	8.0	8.0	8.2	8.0
60.0	7.6	7.6	7.8	7.8	8.0	7.8
65.0	7.4	7.4	7.6	7.6	7.6	7.6
70.0	7.2	7.2	7.4	7.4	7.4	7.6
75.0	7.0	7.0	7.2	7.0	7.2	7.4
80.0	6.8	6.6	7.0	6.8	7.0	7.2
85.0	6.6	6.6	6.8	6.8	7.0	7.0
90.0	6.4	6.4	6.6	6.6	6.8	6.8
95.0	6.2	6.2	6.4	6.4	6.6	6.6
100.0	6.0	6.0	6.2	6.2	6.4	6.6
105.0	6.0	6.0	6.2	6.2	6.4	6.4
110.0	6.0	5.8	6.0	6.0	6.2	6.4
115.0	5.8	5.8	6.0	6.0	6.2	6.2
120.0	5.8	5.8	5.8	5.8	6.0	6.2
125.0			5.8	5.8	6.0	6.0
130.0			5.6	5.6	5.8	6.0
135.0			5.6	5.6	5.8	5.8
140.0					5.8	5.8
145.0					5.0	5.4
150.0					4.2	4.6
155.0						3.8
160.0						3.2
LMB- CODE						

LIFTING CAPACITIES: LATTICE EXTENSION

LIFTING CAPACITIES FOR U S A
 LENGTH in (feet), LIFTING CAPACITIES in 1000 lbs
 SLEWING RANGE 360°
 COUNTERWEIGHT 46,300 lbs.
 OUTRIGGER BASE 28' 2" X 26' 11"

Length Offset	79 ft. 0°	79 ft. 0°	79 ft. 0°	79 ft. 0°	79 ft. 0°	79 ft. 0°
1.Tel.	1.0	0.0	1.0	0.0	1.00	1.0
2.Tel.	0.25	0.75	0.5	1.0	0.75	1.0
3.Tel.	0.25	0.75	0.5	1.0	0.75	1.0
4.Tel.						
RADIUS	BOOM-L 98.5	BOOM-L 98.5	BOOM-L 116.0	BOOM-L 116.0	BOOM-L 133.4	BOOM-L 150.9
25.0	15.0					
30.0	15.0	15.2	14.2	12.6		
35.0	14.8	15.0	14.0	12.6	11.8	
40.0	14.6	14.2	13.8	12.6	11.8	10.0
45.0	14.0	13.6	13.6	12.6	11.8	10.0
50.0	13.4	12.8	13.2	12.6	11.8	10.0
55.0	12.8	12.2	12.8	12.2	11.8	10.0
60.0	12.2	11.8	12.2	11.8	11.6	10.0
65.0	11.4	11.2	11.6	11.4	11.4	10.0
70.0	11.0	10.6	11.2	11.0	11.0	10.0
75.0	10.4	10.2	10.8	10.6	10.8	10.0
80.0	10.0	9.8	10.4	10.0	10.4	10.0
85.0	9.6	9.4	9.8	9.6	10.0	9.8
90.0	9.2	9.0	9.6	9.2	9.6	9.4
95.0	8.6	8.6	9.2	9.0	9.4	9.2
100.0	8.4	8.2	8.8	8.6	9.0	9.0
105.0	8.0	7.8	8.4	8.2	8.8	8.8
110.0	7.8	7.6	8.2	8.0	8.4	8.6
115.0	7.4	7.4	7.8	7.8	8.2	8.2
120.0	7.2	7.0	7.6	7.4	7.8	8.0
125.0	6.8	6.8	7.2	7.2	7.6	7.8
130.0	6.6	6.4	7.0	6.8	7.0	7.0
135.0	6.2	6.2	6.2	6.6	6.2	6.2
140.0	5.4	6.0	5.4	6.4	5.4	5.4
145.0	4.8	5.8	4.8	6.2	4.8	4.8
150.0	4.2	5.6	4.2	6.2	4.0	4.0
155.0	3.6	5.6	3.6	6.0	3.4	3.4
160.0	3.0	5.4	3.0	5.8	3.0	2.8
165.0			2.4	5.4	2.4	2.4
170.0			2.0	4.8	2.0	1.8
175.0				4.4		
LMB- CODE						

LIFTING CAPACITIES: LATTICE EXTENSION

LIFTING CAPACITIES FOR U S A
 LENGTH in (feet), LIFTING CAPACITIES in 1000 lbs
 SLEWING RANGE 360°
 COUNTERWEIGHT 46,300 lbs.
 OUTRIGGER BASE 28' 2" X 26' 11"

Length Offset	79 ft. 16°	79 ft. 16°	79 ft. 16°	79 ft. 16°	79 ft. 16°	79 ft. 16°
1.Tel.	1.0	0.0	1.0	0.0	1.00	1.0
2.Tel.	0.25	0.75	0.5	1.0	0.75	1.0
3.Tel.	0.25	0.75	0.5	1.0	0.75	1.0
4.Tel.						
RADIUS	BOOM-L 98.5	BOOM-L 98.5	BOOM-L 116.0	BOOM-L 116.0	BOOM-L 133.4	BOOM-L 150.9
40.0	10.8	10.6	10.4			
45.0	10.2	10.0	10.2	10.4	10.0	
50.0	9.8	9.6	9.8	10.0	9.8	9.6
55.0	9.4	9.4	9.6	9.6	9.4	9.4
60.0	9.2	9.0	9.2	9.4	9.2	9.2
65.0	8.8	8.6	8.8	9.0	8.8	9.0
70.0	8.4	8.4	8.6	8.8	8.6	8.8
75.0	8.2	8.0	8.4	8.6	8.4	8.6
80.0	7.8	7.8	8.0	8.2	8.2	8.4
85.0	7.6	7.6	7.8	8.0	8.0	8.2
90.0	7.4	7.4	7.6	7.8	7.8	8.0
95.0	7.2	7.2	7.4	7.6	7.6	7.8
100.0	7.0	7.0	7.2	7.4	7.4	7.6
105.0	6.8	6.8	7.0	7.2	7.2	7.6
110.0	6.8	6.6	7.0	7.2	7.0	7.4
115.0	6.6	6.4	6.8	7.0	7.0	7.2
120.0	6.4	6.4	6.6	6.8	6.8	7.2
125.0	6.2	6.2	6.4	6.6	6.6	7.0
130.0	6.0	6.0	6.4	6.4	6.4	6.8
135.0	6.0	6.0	6.2	6.4	6.4	6.6
140.0	5.8	5.8	6.0	6.2	6.2	6.2
145.0	5.4	5.6	5.4	6.0	5.4	5.6
150.0	4.6	5.6	4.8	5.8	4.8	4.8
155.0	3.8	5.4	4.0	5.8	4.2	4.2
160.0			3.4	5.6	3.4	3.6
165.0			2.8	5.4	3.0	3.0
170.0			2.2	5.2	2.4	2.4
175.0				4.6		2.0
LMB- CODE						

LIFTING CAPACITIES: LATTICE EXTENSION

LIFTING CAPACITIES FOR U S A
 LENGTH in (feet), LIFTING CAPACITIES in 1000 lbs
 SLEWING RANGE 360°
 COUNTERWEIGHT 46,300 lbs.
 OUTRIGGER BASE 28' 2" X 26' 11"

Length Offset	79 ft. 30°	79 ft. 30°	79 ft. 30°	79 ft. 30°	79 ft. 30°	79 ft. 30°
1.Tel.	1.0	0.0	1.0	0.0	1.00	1.0
2.Tel.	0.25	0.75	0.5	1.0	0.75	1.0
3.Tel.	0.25	0.75	0.5	1.0	0.75	1.0
4.Tel.						
RADIUS	BOOM-L 98.5	BOOM-L 98.5	BOOM-L 116.0	BOOM-L 116.0	BOOM-L 133.4	BOOM-L 150.9
50.0	8.0	8.0	8.0			
55.0	7.8	7.6	7.8	8.0	7.8	
60.0	7.6	7.4	7.6	7.8	7.6	7.8
65.0	7.4	7.2	7.4	7.6	7.4	7.6
70.0	7.2	7.0	7.2	7.4	7.2	7.4
75.0	7.0	6.8	7.0	7.2	7.0	7.4
80.0	6.8	6.8	6.8	7.2	7.0	7.2
85.0	6.6	6.6	6.8	7.0	6.8	7.0
90.0	6.4	6.4	6.6	6.8	6.6	7.0
95.0	6.4	6.4	6.4	6.8	6.6	6.8
100.0	6.2	6.2	6.4	6.6	6.4	6.8
105.0	6.2	6.2	6.2	6.6	6.4	6.6
110.0	6.0	6.0	6.2	6.4	6.2	6.6
115.0	6.0	6.0	6.0	6.4	6.2	6.4
120.0	5.8	5.8	6.0	6.2	6.0	6.4
125.0	5.8	5.8	6.0	6.2	6.0	6.2
130.0	5.8	5.6	5.8	6.0	5.8	6.2
135.0	5.6	5.6	5.8	6.0	5.8	6.2
140.0	5.6	5.6	5.8	5.8	5.8	6.0
145.0			5.6	5.8	5.8	6.0
150.0			5.0	5.8	5.2	5.4
155.0			4.4	5.6	4.6	4.6
160.0					3.8	4.0
165.0					3.2	3.4
170.0					2.6	2.8
175.0						2.2
LMB-CODE						

LIFTING CAPACITIES: LATTICE EXTENSION

LIFTING CAPACITIES FOR U S A
LENGTH in (feet), LIFTING CAPACITIES in 1000 lbs
SLEWING RANGE 360°
COUNTERWEIGHT 46,300 lbs.
OUTRIGGER BASE 28' 2" X 26' 11" "

Length Offset	105 ft. 0°	105 ft. 0°	105 ft. 0°	105 ft. 0°	105 ft. 0°	105 ft. 0°
1.Tel.	1.0	0.0	1.0	0.0	1.00	1.0
2.Tel.	0.25	0.75	0.5	1.0	0.75	1.0
3.Tel.	0.25	0.75	0.5	1.0	0.75	1.0
4.Tel.						
RADIUS	BOOM-L 98.5	BOOM-L 98.5	BOOM-L 116.0	BOOM-L 116.0	BOOM-L 133.4	BOOM-L 150.9
30.0	11.0	10.2				
35.0	10.6	10.2	10.2			
40.0	10.4	10.2	10.0	9.2	8.6	
45.0	10.0	10.0	9.8	9.2	8.6	7.0
50.0	9.6	9.6	9.4	9.0	8.6	7.0
55.0	9.4	9.2	9.2	8.8	8.6	7.0
60.0	9.0	8.8	8.8	8.4	8.4	7.0
65.0	8.8	8.4	8.6	8.2	8.0	7.0
70.0	8.4	8.0	8.2	7.8	7.8	7.0
75.0	8.0	7.6	7.8	7.6	7.6	7.0
80.0	7.6	7.4	7.6	7.2	7.4	6.8
85.0	7.2	7.0	7.2	7.0	7.0	6.6
90.0	6.8	6.6	7.0	6.6	6.8	6.4
95.0	6.6	6.4	6.6	6.4	6.6	6.2
100.0	6.2	6.2	6.4	6.2	6.4	6.2
105.0	6.0	5.8	6.2	6.0	6.2	6.0
110.0	5.8	5.6	6.0	5.8	6.0	5.8
115.0	5.4	5.4	5.8	5.6	5.8	5.6
120.0	5.2	5.2	5.6	5.4	5.6	5.4
125.0	5.0	5.0	5.4	5.2	5.4	5.4
130.0	4.8	4.6	5.0	5.0	5.2	5.2
135.0	4.6	4.4	4.8	4.8	5.0	5.0
140.0	4.4	4.4	4.8	4.6	5.0	5.0
145.0	4.2	4.2	4.6	4.4	4.8	4.8
150.0	4.0	4.0	4.4	4.2	4.6	4.4
155.0	3.8	3.8	4.0	4.2	4.0	3.8
160.0	3.6	3.6	3.6	4.0	3.4	3.2
165.0	3.2	3.6	3.0	3.8	2.8	2.6
170.0	2.6	3.4	2.4	3.8	2.4	2.2
175.0	2.2	3.4	2.0	3.6		
180.0		3.2		3.4		
185.0		3.2		3.4		
190.0		3.0		3.2		
195.0				3.0		
200.0				2.6		
LMB- CODE						

LIFTING CAPACITIES: LATTICE EXTENSION

LIFTING CAPACITIES FOR U S A
 LENGTH in (feet), LIFTING CAPACITIES in 1000 lbs
 SLEWING RANGE 360°
 COUNTERWEIGHT 46,300 lbs.
 OUTRIGGER BASE 28' 2" X 26' 11"

Length Offset	105 ft. 16°	105 ft. 16°	105 ft. 16°	105 ft. 16°	105 ft. 16°	105 ft. 16°
1.Tel.	1.0	0.0	1.0	0.0	1.00	1.0
2.Tel.	0.25	0.75	0.5	1.0	0.75	1.0
3.Tel.	0.25	0.75	0.5	1.0	0.75	1.0
4.Tel.						
RADIUS	BOOM-L 98.5	BOOM-L 98.5	BOOM-L 116.0	BOOM-L 116.0	BOOM-L 133.4	BOOM-L 150.9
40.0	10.4					
45.0	9.8	9.4				
50.0	9.4	9.0	9.0	8.4	8.4	
55.0	9.0	8.6	8.6	8.2	8.0	7.4
60.0	8.6	8.2	8.2	7.8	7.8	7.2
65.0	8.2	7.8	8.0	7.6	7.6	7.0
70.0	7.8	7.6	7.6	7.4	7.4	6.8
75.0	7.4	7.2	7.4	7.0	7.0	6.6
80.0	7.0	6.8	7.0	6.8	6.8	6.4
85.0	6.8	6.6	6.8	6.6	6.6	6.2
90.0	6.4	6.4	6.6	6.4	6.4	6.0
95.0	6.2	6.0	6.2	6.0	6.2	6.0
100.0	5.8	5.8	6.0	5.8	6.0	5.8
105.0	5.6	5.6	5.8	5.6	5.8	5.6
110.0	5.4	5.4	5.6	5.6	5.6	5.4
115.0	5.2	5.2	5.4	5.4	5.4	5.4
120.0	5.0	5.0	5.2	5.2	5.4	5.2
125.0	4.8	4.8	5.0	5.0	5.2	5.0
130.0	4.6	4.6	4.8	4.8	5.0	5.0
135.0	4.4	4.4	4.6	4.6	4.8	4.8
140.0	4.2	4.2	4.6	4.4	4.8	4.6
145.0	4.2	4.0	4.4	4.4	4.6	4.6
150.0	4.0	4.0	4.2	4.2	4.4	4.4
155.0	3.8	3.8	4.0	4.0	4.2	4.4
160.0	3.6	3.6	4.0	3.8	4.0	4.0
165.0	3.6	3.4	3.6	3.8	3.4	3.4
170.0	3.0	3.4	3.0	3.6	3.0	2.8
175.0	2.6	3.2	2.4	3.6	2.4	2.4
180.0	2.0	3.2	2.0	3.4	2.0	
185.0				3.4		
190.0				3.2		
195.0				3.2		
200.0				2.8		
LMB- CODE						

LIFTING CAPACITIES: LATTICE EXTENSION

LIFTING CAPACITIES FOR U S A
 LENGTH in (feet), LIFTING CAPACITIES in 1000 lbs
 SLEWING RANGE 360°
 COUNTERWEIGHT 46,300 lbs.
 OUTRIGGER BASE 28' 2" X 26' 11"

Length Offset	105 ft. 30°	105 ft. 30°	105 ft. 30°	105 ft. 30°	105 ft. 30°	105 ft. 30°
1.Tel.	1.0	0.0	1.0	0.0	1.00	1.0
2.Tel.	0.25	0.75	0.5	1.0	0.75	1.0
3.Tel.	0.25	0.75	0.5	1.0	0.75	1.0
4.Tel.						
RADIUS	BOOM-L 98.5	BOOM-L 98.5	BOOM-L 116.0	BOOM-L 116.0	BOOM-L 133.4	BOOM-L 150.9
50.0	8.0					
55.0	7.8	7.6				
60.0	7.6	7.4	7.6	7.6	7.4	
65.0	7.4	7.2	7.4	7.2	7.2	
70.0	7.2	7.0	7.2	7.0	7.0	
75.0	7.0	6.8	7.0	6.8	6.8	6.4
80.0	6.8	6.6	6.8	6.6	6.6	6.2
85.0	6.6	6.4	6.6	6.4	6.4	6.0
90.0	6.2	6.2	6.4	6.2	6.2	5.8
95.0	6.0	5.8	6.2	6.0	6.0	5.8
100.0	5.8	5.6	5.8	5.8	5.8	5.6
105.0	5.6	5.4	5.8	5.6	5.6	5.4
110.0	5.4	5.2	5.6	5.4	5.4	5.4
115.0	5.2	5.0	5.4	5.2	5.4	5.2
120.0	5.0	4.8	5.2	5.0	5.2	5.0
125.0	4.8	4.6	5.0	4.8	5.0	5.0
130.0	4.6	4.4	4.8	4.6	4.8	4.8
135.0	4.4	4.4	4.6	4.6	4.8	4.8
140.0	4.2	4.2	4.4	4.4	4.6	4.6
145.0	4.0	4.0	4.4	4.2	4.4	4.6
150.0	4.0	4.0	4.2	4.2	4.4	4.4
155.0	3.8	3.8	4.0	4.0	4.2	4.4
160.0	3.6	3.6	4.0	3.8	4.0	4.2
165.0	3.6	3.6	3.8	3.8	3.8	3.8
170.0	3.2	3.4	3.2	3.6	3.2	3.2
175.0			2.8	3.6	2.8	2.8
180.0			2.2	3.4	2.2	2.2
LMB- CODE						

LIFTING CAPACITIES: LATTICE EXTENSION

LIFTING CAPACITIES FOR U S A
 LENGTH in (feet), LIFTING CAPACITIES in 1000 lbs
 SLEWING RANGE 360°
 COUNTERWEIGHT 27,800 lbs.
 OUTRIGGER BASE 28' 2" X 26' 11"

Length Offset	33 ft. 0°	33 ft. 0°	33 ft. 0°	33 ft. 0°	33 ft. 0°	33 ft. 0°
1.Tel.	1.0	0.0	1.0	0.0	1.00	1.0
2.Tel.	0.25	0.75	0.5	1.0	0.75	1.0
3.Tel.	0.25	0.75	0.5	1.0	0.75	1.0
4.Tel.						
RADIUS	BOOM-L 98.5	BOOM-L 98.5	BOOM-L 116.0	BOOM-L 116.0	BOOM-L 133.4	BOOM-L 150.9
20.0	30.8	30.8	28.6	26.2		
25.0	30.4	29.0	28.6	26.2	24.0	
30.0	27.6	26.4	27.4	25.8	24.0	20.6
35.0	25.2	24.2	25.6	24.4	24.0	20.6
40.0	23.2	22.4	23.8	22.8	23.6	20.6
45.0	21.4	20.8	22.4	21.4	22.2	20.4
50.0	19.8	19.4	21.0	20.2	21.2	20.4
55.0	18.6	18.2	19.6	19.0	20.0	19.8
60.0	17.4	17.2	18.6	18.0	19.0	19.0
65.0	16.4	16.0	17.6	17.0	18.2	18.2
70.0	15.4	15.2	16.6	16.0	17.4	17.4
75.0	14.4	14.2	15.6	15.2	16.2	16.6
80.0	12.8	13.2	13.4	14.2	13.8	14.2
85.0	10.8	12.6	11.4	13.6	11.8	12.2
90.0	9.0	12.0	9.6	13.0	10.2	10.4
95.0	7.6	11.6	8.2	12.4	8.6	9.0
100.0	6.2	11.0	6.8	11.0	7.2	7.6
105.0	5.0	9.8	5.6	9.8	6.0	6.4
110.0	4.0	8.8	4.6	8.8	5.0	5.4
115.0	3.0	7.8	3.6	7.8	4.0	4.4
120.0			2.8	6.8	3.2	3.6
125.0			2.0	6.0	2.4	2.8
130.0				5.2		2.0
135.0				4.6		
LMB- CODE						

LIFTING CAPACITIES: LATTICE EXTENSION

LIFTING CAPACITIES FOR U S A
 LENGTH in (feet), LIFTING CAPACITIES in 1000 lbs
 SLEWING RANGE 360°
 COUNTERWEIGHT 27,800 lbs.
 OUTRIGGER BASE 28' 2" x 26' 11"

Length Offset	33 ft. 16°	33 ft. 16°	33 ft. 16°	33 ft. 16°	33 ft. 16°	33 ft. 16°
1.Tel.	1.0	0.0	1.0	0.0	1.00	1.0
2.Tel.	0.25	0.75	0.5	1.0	0.75	1.0
3.Tel.	0.25	0.75	0.5	1.0	0.75	1.0
4.Tel.						
RADIUS	BOOM-L 98.5	BOOM-L 98.5	BOOM-L 116.0	BOOM-L 116.0	BOOM-L 133.4	BOOM-L 150.9
25.0	21.0	20.6				
30.0	19.6	19.2	19.8	19.2	19.6	
35.0	18.4	18.2	18.8	18.2	18.6	
40.0	17.4	17.0	17.8	17.4	17.8	17.4
45.0	16.4	16.2	17.0	16.6	17.0	16.8
50.0	15.6	15.0	16.2	15.8	16.4	16.2
55.0	14.8	14.2	15.4	15.0	15.6	15.6
60.0	14.0	13.4	14.6	14.2	14.8	14.8
65.0	13.0	12.8	13.6	13.4	14.0	14.2
70.0	12.6	12.4	13.2	13.0	13.6	13.6
75.0	12.0	12.0	12.6	12.6	13.0	13.2
80.0	11.6	11.4	12.2	12.0	12.6	12.8
85.0	11.2	11.0	11.8	11.6	12.2	12.6
90.0	10.0	10.8	10.6	11.4	11.0	11.4
95.0	8.4	10.4	9.0	11.0	9.4	9.8
100.0	6.8	10.2	7.6	10.6	8.0	8.4
105.0	5.6	10.0	6.2	10.2	6.8	7.2
110.0	4.4	9.0	5.2	9.2	5.6	6.0
115.0	3.4	8.0	4.2	8.0	4.6	5.0
120.0			3.2	7.2	3.8	4.2
125.0			2.4	6.2	2.8	3.2
130.0				5.4	2.0	2.4
LMB- CODE						

LIFTING CAPACITIES: LATTICE EXTENSION

LIFTING CAPACITIES FOR U S A
 LENGTH in (feet), LIFTING CAPACITIES in 1000 lbs
 SLEWING RANGE 360°
 COUNTERWEIGHT 27,800 lbs.
 OUTRIGGER BASE 28' 2" X 26' 11"

Length Offset	33 ft. 30°	33 ft. 30°	33 ft. 30°	33 ft. 30°	33 ft. 30°	33 ft. 30°
1.Tel.	1.0	0.0	1.0	0.0	1.00	1.0
2.Tel.	0.25	0.75	0.5	1.0	0.75	1.0
3.Tel.	0.25	0.75	0.5	1.0	0.75	1.0
4.Tel.						
RADIUS	BOOM-L 98.5	BOOM-L 98.5	BOOM-L 116.0	BOOM-L 116.0	BOOM-L 133.4	BOOM-L 150.9
30.0	15.2	14.4				
35.0	14.4	14.2	14.4	14.2		
40.0	13.8	13.6	14.0	13.6	14.0	13.6
45.0	13.2	13.2	13.4	13.2	13.6	13.4
50.0	12.8	12.8	13.0	12.8	13.2	13.0
55.0	12.4	12.4	12.6	12.4	12.8	12.8
60.0	12.0	12.0	12.4	12.2	12.6	12.4
65.0	11.6	11.4	12.0	11.8	12.2	12.2
70.0	11.2	11.2	11.6	11.6	11.8	12.0
75.0	11.0	10.8	11.4	11.2	11.6	11.6
80.0	10.6	10.6	11.0	11.0	11.2	11.4
85.0	10.4	10.4	10.8	10.6	11.0	11.2
90.0	10.2	10.2	10.6	10.4	10.8	11.0
95.0	8.8	10.0	9.6	10.2	10.0	10.6
100.0	7.2	9.8	8.0	10.0	8.6	9.0
105.0			6.6	10.0	7.2	7.8
110.0			5.4	9.4	6.0	6.6
115.0			4.4	8.2	5.0	5.4
120.0					4.0	4.4
125.0					3.2	3.6
130.0					2.2	2.8
135.0						2.0
LMB-CODE						

LIFTING CAPACITIES: LATTICE EXTENSION

LIFTING CAPACITIES FOR U S A
 LENGTH in (feet), LIFTING CAPACITIES in 1000 lbs
 SLEWING RANGE 360°
 COUNTERWEIGHT 27,800 lbs.
 OUTRIGGER BASE 28' 2" X 26' 11"

Length Offset	53 ft. 0°	53 ft. 0°	53 ft. 0°	53 ft. 0°	53 ft. 0°	53 ft. 0°
1.Tel.	1.0	0.0	1.0	0.0	1.00	1.0
2.Tel.	0.25	0.75	0.5	1.0	0.75	1.0
3.Tel.	0.25	0.75	0.5	1.0	0.75	1.0
4.Tel.						
RADIUS	BOOM-L 98.5	BOOM-L 98.5	BOOM-L 116.0	BOOM-L 116.0	BOOM-L 133.4	BOOM-L 150.9
20.0	15.4	15.4				
25.0	15.4	15.4	15.4			
30.0	15.4	15.4	15.4	15.2	14.6	
35.0	15.4	15.4	15.4	15.0	14.4	13.4
40.0	15.2	14.4	15.4	14.4	14.0	13.2
45.0	13.8	13.4	14.2	13.6	13.8	12.8
50.0	12.8	12.6	13.2	12.8	13.4	12.4
55.0	12.0	11.8	12.6	12.2	12.6	12.2
60.0	11.2	11.0	11.8	11.6	12.0	11.8
65.0	10.6	10.4	11.2	11.0	11.4	11.4
70.0	10.0	9.8	10.6	10.4	11.0	11.0
75.0	9.6	9.4	10.2	10.0	10.6	10.6
80.0	9.0	8.8	9.6	9.4	10.0	10.2
85.0	8.6	8.4	9.2	9.0	9.6	9.8
90.0	8.2	8.0	8.8	8.6	9.2	9.4
95.0	7.8	7.8	8.4	8.2	8.8	9.2
100.0	7.4	7.4	8.0	8.0	8.6	8.8
105.0	7.0	7.2	7.2	7.6	7.4	7.6
110.0	6.0	6.8	6.2	7.4	6.4	6.6
115.0	5.0	6.6	5.2	7.2	5.4	5.6
120.0	4.2	6.4	4.4	6.8	4.6	4.6
125.0	3.4	6.2	3.6	6.6	3.8	3.8
130.0	2.6	5.8	2.8	6.4	3.0	3.2
135.0	2.0	5.6	2.2	5.6	2.4	2.4
140.0				5.0		
145.0				4.4		
150.0				3.8		
155.0				3.4		
LMB- CODE						

LIFTING CAPACITIES: LATTICE EXTENSION

LIFTING CAPACITIES FOR U S A
 LENGTH in (feet), LIFTING CAPACITIES in 1000 lbs
 SLEWING RANGE 360°
 COUNTERWEIGHT 27,800 lbs.
 OUTRIGGER BASE 28' 2" X 26' 11"

Length Offset	53 ft. 16°	53 ft. 16°	53 ft. 16°	53 ft. 16°	53 ft. 16°	53 ft. 16°
1.Tel.	1.0	0.0	1.0	0.0	1.00	1.0
2.Tel.	0.25	0.75	0.5	1.0	0.75	1.0
3.Tel.	0.25	0.75	0.5	1.0	0.75	1.0
4.Tel.						
RADIUS	BOOM-L 98.5	BOOM-L 98.5	BOOM-L 116.0	BOOM-L 116.0	BOOM-L 133.4	BOOM-L 150.9
35.0	11.6	11.4				
40.0	11.0	10.8	11.2	10.8	11.0	
45.0	10.4	10.2	10.6	10.4	10.6	
50.0	9.8	9.8	10.0	10.0	10.2	10.0
55.0	9.4	9.2	9.6	9.4	9.8	9.8
60.0	9.0	8.8	9.2	9.2	9.4	9.4
65.0	8.6	8.4	8.8	8.8	9.0	9.0
70.0	8.2	8.2	8.6	8.4	8.8	8.8
75.0	7.8	7.8	8.2	8.0	8.4	8.6
80.0	7.6	7.4	7.8	7.8	8.2	8.2
85.0	7.2	7.2	7.6	7.6	7.8	8.0
90.0	7.0	7.0	7.4	7.2	7.6	7.8
95.0	6.8	6.8	7.2	7.0	7.4	7.6
100.0	6.6	6.6	7.0	6.8	7.2	7.4
105.0	6.4	6.4	6.8	6.6	7.0	7.2
110.0	6.2	6.2	6.6	6.6	6.8	7.0
115.0	5.8	6.0	6.2	6.4	6.6	6.8
120.0	4.8	5.8	5.2	6.2	5.6	5.8
125.0	4.0	5.8	4.4	6.0	4.6	4.8
130.0	3.0	5.6	3.6	5.8	3.8	4.0
135.0	2.2	5.6	2.8	5.8	3.2	3.4
140.0			2.0	5.4	2.4	2.6
145.0				4.8		2.0
150.0				4.2		
LMB- CODE						

LIFTING CAPACITIES: LATTICE EXTENSION

LIFTING CAPACITIES FOR U S A

LENGTH in (feet), LIFTING CAPACITIES in 1000 lbs

SLEWING RANGE 360°

COUNTERWEIGHT 27,800 lbs.

OUTRIGGER BASE 28' 2" X 26' 11"

Length Offset	53 ft. 30°	53 ft. 30°	53 ft. 30°	53 ft. 30°	53 ft. 30°	53 ft. 30°
1.Tel.	1.0	0.0	1.0	0.0	1.00	1.0
2.Tel.	0.25	0.75	0.5	1.0	0.75	1.0
3.Tel.	0.25	0.75	0.5	1.0	0.75	1.0
4.Tel.						
RADIUS	BOOM-L 98.5	BOOM-L 98.5	BOOM-L 116.0	BOOM-L 116.0	BOOM-L 133.4	BOOM-L 150.9
45.0	8.6	8.6				
50.0	8.2	8.2	8.4	8.2	8.4	
55.0	8.0	8.0	8.0	8.0	8.2	8.0
60.0	7.6	7.6	7.8	7.8	8.0	7.8
65.0	7.4	7.4	7.6	7.6	7.6	7.6
70.0	7.2	7.2	7.4	7.4	7.4	7.6
75.0	7.0	7.0	7.2	7.0	7.2	7.4
80.0	6.8	6.6	7.0	6.8	7.0	7.2
85.0	6.6	6.6	6.8	6.8	7.0	7.0
90.0	6.4	6.4	6.6	6.6	6.8	6.8
95.0	6.2	6.2	6.4	6.4	6.6	6.6
100.0	6.0	6.0	6.2	6.2	6.4	6.6
105.0	6.0	6.0	6.2	6.2	6.4	6.4
110.0	6.0	5.8	6.0	6.0	6.2	6.4
115.0	5.8	5.8	6.0	6.0	6.2	6.2
120.0	5.4	5.8	5.8	5.8	6.0	6.2
125.0			4.8	5.8	5.4	5.6
130.0			4.0	5.6	4.4	4.8
135.0			3.2	5.6	3.6	4.0
140.0					2.8	3.2
145.0					2.2	2.4
LMB- CODE						

LIFTING CAPACITIES: LATTICE EXTENSION

LIFTING CAPACITIES FOR U S A
 LENGTH in (feet), LIFTING CAPACITIES in 1000 lbs
 SLEWING RANGE 360°
 COUNTERWEIGHT 27,800 lbs.
 OUTRIGGER BASE 28' 2" X 26' 11"

Length Offset	79 ft. 0°	79 ft. 0°	79 ft. 0°	79 ft. 0°	79 ft. 0°	79 ft. 0°
1.Tel.	1.0	0.0	1.0	0.0	1.00	1.0
2.Tel.	0.25	0.75	0.5	1.0	0.75	1.0
3.Tel.	0.25	0.75	0.5	1.0	0.75	1.0
4.Tel.						
RADIUS	BOOM-L 98.5	BOOM-L 98.5	BOOM-L 116.0	BOOM-L 116.0	BOOM-L 133.4	BOOM-L 150.9
25.0	15.0					
30.0	15.0	15.2	14.2	12.6		
35.0	14.8	15.0	14.0	12.6	11.8	
40.0	14.6	14.2	13.8	12.6	11.8	10.0
45.0	14.0	13.6	13.6	12.6	11.8	10.0
50.0	13.4	12.8	13.2	12.6	11.8	10.0
55.0	12.8	12.2	12.8	12.2	11.8	10.0
60.0	12.2	11.8	12.2	11.8	11.6	10.0
65.0	11.4	11.2	11.6	11.4	11.4	10.0
70.0	11.0	10.6	11.2	11.0	11.0	10.0
75.0	10.4	10.2	10.8	10.6	10.8	10.0
80.0	10.0	9.8	10.4	10.0	10.4	10.0
85.0	9.6	9.4	9.8	9.6	10.0	9.8
90.0	9.2	9.0	9.6	9.2	9.6	9.4
95.0	8.6	8.6	9.2	9.0	9.4	9.2
100.0	8.4	8.2	8.8	8.6	9.0	9.0
105.0	8.0	7.8	8.4	8.2	8.2	8.2
110.0	7.2	7.6	7.2	8.0	7.2	7.2
115.0	6.2	7.4	6.2	7.8	6.2	6.2
120.0	5.4	7.0	5.4	7.4	5.4	5.2
125.0	4.6	6.8	4.6	7.2	4.4	4.4
130.0	3.8	6.4	3.8	6.8	3.8	3.8
135.0	3.0	6.2	3.0	6.0	3.0	3.0
140.0	2.4	5.8	2.4	5.4	2.4	2.4
145.0		5.2		4.8		
150.0		4.6		4.2		
155.0		4.0		3.8		
160.0		3.6		3.2		
165.0				2.8		
170.0				2.4		
175.0				2.0		
LMB- CODE						

LIFTING CAPACITIES: LATTICE EXTENSION

LIFTING CAPACITIES FOR U S A
 LENGTH in (feet), LIFTING CAPACITIES in 1000 lbs
 SLEWING RANGE 360°
 COUNTERWEIGHT 27,800 lbs.
 OUTRIGGER BASE 28' 2" X 26' 11"

Length Offset	79 ft. 16°	79 ft. 16°	79 ft. 16°	79 ft. 16°	79 ft. 16°	79 ft. 16°
1.Tel.	1.0	0.0	1.0	0.0	1.00	1.0
2.Tel.	0.25	0.75	0.5	1.0	0.75	1.0
3.Tel.	0.25	0.75	0.5	1.0	0.75	1.0
4.Tel.						
RADIUS	BOOM-L 98.5	BOOM-L 98.5	BOOM-L 116.0	BOOM-L 116.0	BOOM-L 133.4	BOOM-L 150.9
40.0	10.8	10.6	10.4			
45.0	10.2	10.0	10.2	10.4	10.0	
50.0	9.8	9.6	9.8	10.0	9.8	9.6
55.0	9.4	9.4	9.6	9.6	9.4	9.4
60.0	9.2	9.0	9.2	9.4	9.2	9.2
65.0	8.8	8.6	8.8	9.0	8.8	9.0
70.0	8.4	8.4	8.6	8.8	8.6	8.8
75.0	8.2	8.0	8.4	8.6	8.4	8.6
80.0	7.8	7.8	8.0	8.2	8.2	8.4
85.0	7.6	7.6	7.8	8.0	8.0	8.2
90.0	7.4	7.4	7.6	7.8	7.8	8.0
95.0	7.2	7.2	7.4	7.6	7.6	7.8
100.0	7.0	7.0	7.2	7.4	7.4	7.6
105.0	6.8	6.8	7.0	7.2	7.2	7.6
110.0	6.8	6.6	7.0	7.2	7.0	7.4
115.0	6.6	6.4	6.8	7.0	7.0	7.2
120.0	6.2	6.4	6.4	6.8	6.4	6.4
125.0	5.4	6.2	5.4	6.6	5.4	5.6
130.0	4.6	6.0	4.6	6.4	4.6	4.8
135.0	3.8	6.0	3.8	6.4	4.0	4.0
140.0	3.0	5.8	3.2	6.0	3.2	3.2
145.0	2.4	5.6	2.6	5.4	2.6	2.6
150.0		5.0	2.0	4.8	2.0	2.0
155.0		4.4		4.2		
160.0				3.6		
165.0				3.2		
170.0				2.6		
175.0				2.2		
LMB- CODE						

LIFTING CAPACITIES: LATTICE EXTENSION

LIFTING CAPACITIES FOR U S A
 LENGTH in (feet), LIFTING CAPACITIES in 1000 lbs
 SLEWING RANGE 360°
 COUNTERWEIGHT 27,800 lbs.
 OUTRIGGER BASE 28' 2" X 26' 11"

Length Offset	79 ft. 30°	79 ft. 30°	79 ft. 30°	79 ft. 30°	79 ft. 30°	79 ft. 30°
1.Tel.	1.0	0.0	1.0	0.0	1.00	1.0
2.Tel.	0.25	0.75	0.5	1.0	0.75	1.0
3.Tel.	0.25	0.75	0.5	1.0	0.75	1.0
4.Tel.						
RADIUS	BOOM-L 98.5	BOOM-L 98.5	BOOM-L 116.0	BOOM-L 116.0	BOOM-L 133.4	BOOM-L 150.9
50.0	8.0	8.0	8.0			
55.0	7.8	7.6	7.8	8.0	7.8	
60.0	7.6	7.4	7.6	7.8	7.6	7.8
65.0	7.4	7.2	7.4	7.6	7.4	7.6
70.0	7.2	7.0	7.2	7.4	7.2	7.4
75.0	7.0	6.8	7.0	7.2	7.0	7.4
80.0	6.8	6.8	6.8	7.2	7.0	7.2
85.0	6.6	6.6	6.8	7.0	6.8	7.0
90.0	6.4	6.4	6.6	6.8	6.6	7.0
95.0	6.4	6.4	6.4	6.8	6.6	6.8
100.0	6.2	6.2	6.4	6.6	6.4	6.8
105.0	6.2	6.2	6.2	6.6	6.4	6.6
110.0	6.0	6.0	6.2	6.4	6.2	6.6
115.0	6.0	6.0	6.0	6.4	6.2	6.4
120.0	5.8	5.8	6.0	6.2	6.0	6.4
125.0	5.8	5.8	6.0	6.2	6.0	6.2
130.0	5.0	5.6	5.2	6.0	5.4	5.4
135.0	4.2	5.6	4.4	6.0	4.6	4.6
140.0	3.4	5.6	3.6	5.8	3.8	3.8
145.0			3.0	5.6	3.0	3.2
150.0			2.2	5.0	2.4	2.6
155.0				4.4		2.0
LMB- CODE						

LIFTING CAPACITIES: LATTICE EXTENSION

LIFTING CAPACITIES FOR U S A
LENGTH in (feet), LIFTING CAPACITIES in 1000 lbs
SLEWING RANGE 360°
COUNTERWEIGHT 27,800 lbs.
OUTRIGGER BASE 28' 2" X 26' 11"

Length Offset	105 ft. 0°	105 ft. 0°	105 ft. 0°	105 ft. 0°	105 ft. 0°	105 ft. 0°
1.Tel.	1.0	0.0	1.0	0.0	1.00	1.0
2.Tel.	0.25	0.75	0.5	1.0	0.75	1.0
3.Tel.	0.25	0.75	0.5	1.0	0.75	1.0
4.Tel.						
RADIUS	BOOM-L 98.5	BOOM-L 98.5	BOOM-L 116.0	BOOM-L 116.0	BOOM-L 133.4	BOOM-L 150.9
30.0	11.0	10.2				
35.0	10.6	10.2	10.2			
40.0	10.4	10.2	10.0	9.2	8.6	
45.0	10.0	10.0	9.8	9.2	8.6	7.0
50.0	9.6	9.6	9.4	9.0	8.6	7.0
55.0	9.4	9.2	9.2	8.8	8.6	7.0
60.0	9.0	8.8	8.8	8.4	8.4	7.0
65.0	8.8	8.4	8.6	8.2	8.0	7.0
70.0	8.4	8.0	8.2	7.8	7.8	7.0
75.0	8.0	7.6	7.8	7.6	7.6	7.0
80.0	7.6	7.4	7.6	7.2	7.4	6.8
85.0	7.2	7.0	7.2	7.0	7.0	6.6
90.0	6.8	6.6	7.0	6.6	6.8	6.4
95.0	6.6	6.4	6.6	6.4	6.6	6.2
100.0	6.2	6.2	6.4	6.2	6.4	6.2
105.0	6.0	5.8	6.2	6.0	6.2	6.0
110.0	5.8	5.6	6.0	5.8	6.0	5.8
115.0	5.4	5.4	5.8	5.6	5.8	5.6
120.0	5.2	5.2	5.6	5.4	5.6	5.4
125.0	5.0	5.0	5.2	5.2	5.0	4.8
130.0	4.6	4.6	4.4	5.0	4.2	4.0
135.0	3.8	4.4	3.6	4.8	3.6	3.4
140.0	3.2	4.4	3.0	4.6	2.8	2.8
145.0	2.6	4.2	2.4	4.4	2.2	2.2
150.0	2.0	4.0	2.0	4.2		
155.0		3.8		4.0		
160.0		3.6		3.6		
165.0		3.4		3.0		
170.0		3.0		2.6		
175.0		2.6		2.2		
180.0		2.2				
185.0		2.0				
LMB-CODE						

LIFTING CAPACITIES: LATTICE EXTENSION

LIFTING CAPACITIES FOR U S A
 LENGTH in (feet), LIFTING CAPACITIES in 1000 lbs
 SLEWING RANGE 360°
 COUNTERWEIGHT 27,800 lbs.
 OUTRIGGER BASE 28' 2" X 26' 11"

Length Offset	105 ft. 16°	105 ft. 16°	105 ft. 16°	105 ft. 16°	105 ft. 16°	105 ft. 16°
1.Tel.	1.0	0.0	1.0	0.0	1.00	1.0
2.Tel.	0.25	0.75	0.5	1.0	0.75	1.0
3.Tel.	0.25	0.75	0.5	1.0	0.75	1.0
4.Tel.						
RADIUS	BOOM-L 98.5	BOOM-L 98.5	BOOM-L 116.0	BOOM-L 116.0	BOOM-L 133.4	BOOM-L 150.9
40.0	10.4					
45.0	9.8	9.4				
50.0	9.4	9.0	9.0	8.4	8.4	
55.0	9.0	8.6	8.6	8.2	8.0	7.4
60.0	8.6	8.2	8.2	7.8	7.8	7.2
65.0	8.2	7.8	8.0	7.6	7.6	7.0
70.0	7.8	7.6	7.6	7.4	7.4	6.8
75.0	7.4	7.2	7.4	7.0	7.0	6.6
80.0	7.0	6.8	7.0	6.8	6.8	6.4
85.0	6.8	6.6	6.8	6.6	6.6	6.2
90.0	6.4	6.4	6.6	6.4	6.4	6.0
95.0	6.2	6.0	6.2	6.0	6.2	6.0
100.0	5.8	5.8	6.0	5.8	6.0	5.8
105.0	5.6	5.6	5.8	5.6	5.8	5.6
110.0	5.4	5.4	5.6	5.6	5.6	5.4
115.0	5.2	5.2	5.4	5.4	5.4	5.4
120.0	5.0	5.0	5.2	5.2	5.4	5.2
125.0	4.8	4.8	5.0	5.0	5.2	5.0
130.0	4.6	4.6	4.8	4.8	5.0	5.0
135.0	4.4	4.4	4.6	4.6	4.4	4.4
140.0	4.0	4.2	3.8	4.4	3.8	3.6
145.0	3.2	4.0	3.2	4.4	3.2	3.0
150.0	2.6	4.0	2.6	4.2	2.6	2.4
155.0	2.2	3.8	2.0	4.0	2.0	
160.0		3.6		3.8		
165.0		3.4		3.4		
170.0		3.4		3.0		
175.0		2.8		2.6		
180.0		2.4		2.2		
LMB- CODE						

LIFTING CAPACITIES: LATTICE EXTENSIONS

LIFTING CAPACITIES FOR U S A

LENGTH in (feet), LIFTING CAPACITIES in 1000 lbs

SLEWING RANGE 360°

COUNTERWEIGHT 27,800 lbs.

OUTRIGGER BASE 28' 2" X 26' 11"

Length Offset	105 ft. 30°	105 ft. 30°	105 ft. 30°	105 ft. 30°	105 ft. 30°	105 ft. 30°
1.Tel.	1.0	0.0	1.0	0.0	1.00	1.0
2.Tel.	0.25	0.75	0.5	1.0	0.75	1.0
3.Tel.	0.25	0.75	0.5	1.0	0.75	1.0
4.Tel.						
RADIUS	BOOM-L 98.5	BOOM-L 98.5	BOOM-L 116.0	BOOM-L 116.0	BOOM-L 133.4	BOOM-L 150.9
50.0	8.0					
55.0	7.8	7.6				
60.0	7.6	7.4	7.6	7.6	7.4	
65.0	7.4	7.2	7.4	7.2	7.2	
70.0	7.2	7.0	7.2	7.0	7.0	
75.0	7.0	6.8	7.0	6.8	6.8	6.4
80.0	6.8	6.6	6.8	6.6	6.6	6.2
85.0	6.6	6.4	6.6	6.4	6.4	6.0
90.0	6.2	6.2	6.4	6.2	6.2	5.8
95.0	6.0	5.8	6.2	6.0	6.0	5.8
100.0	5.8	5.6	5.8	5.8	5.8	5.6
105.0	5.6	5.4	5.8	5.6	5.6	5.4
110.0	5.4	5.2	5.6	5.4	5.4	5.4
115.0	5.2	5.0	5.4	5.2	5.4	5.2
120.0	5.0	4.8	5.2	5.0	5.2	5.0
125.0	4.8	4.6	5.0	4.8	5.0	5.0
130.0	4.6	4.4	4.8	4.6	4.8	4.8
135.0	4.4	4.4	4.6	4.6	4.8	4.8
140.0	4.2	4.2	4.4	4.4	4.4	4.4
145.0	3.8	4.0	3.8	4.2	3.6	3.6
150.0	3.0	4.0	3.0	4.2	3.0	3.0
155.0	2.4	3.8	2.4	4.0	2.4	2.4
160.0		3.6	1.8	3.8		
165.0		3.6		3.8		
170.0		3.4		3.2		
175.0				2.8		
180.0				2.4		
LMB- CODE						

LIFTING CAPACITIES: LATTICE EXTENSION

LIFTING CAPACITIES FOR U S A
 LENGTH in (feet), LIFTING CAPACITIES in 1000 lbs
 SLEWING RANGE 360°
 COUNTERWEIGHT 9,300 lbs.
 OUTRIGGER BASE 28' 2" X 26' 11"

Length Offset	33 ft. 0°	33 ft. 0°	33 ft. 0°	33 ft. 0°	33 ft. 0°	33 ft. 0°
1.Tel.	1.0	0.0	1.0	0.0	1.00	1.0
2.Tel.	0.25	0.75	0.5	1.0	0.75	1.0
3.Tel.	0.25	0.75	0.5	1.0	0.75	1.0
4.Tel.						
RADIUS	BOOM-L 98.5	BOOM-L 98.5	BOOM-L 116.0	BOOM-L 116.0	BOOM-L 133.4	BOOM-L 150.9
20.0	30.8	30.8	28.6	26.2		
25.0	30.4	29.0	28.6	26.2	24.0	
30.0	27.6	26.4	27.4	25.8	24.0	20.6
35.0	25.2	24.2	25.6	24.4	24.0	20.6
40.0	23.2	22.4	23.8	22.8	23.6	20.6
45.0	21.4	20.8	22.4	21.4	22.2	20.4
50.0	19.8	19.4	21.0	20.2	21.2	20.4
55.0	18.6	18.2	19.6	19.0	20.0	19.8
60.0	16.6	17.2	17.2	18.0	17.4	17.2
65.0	13.6	16.0	14.2	17.0	14.6	14.4
70.0	11.0	15.2	11.6	16.0	12.0	12.2
75.0	8.8	14.0	9.4	14.0	10.0	10.2
80.0	7.0	12.0	7.6	12.0	8.0	8.4
85.0	5.4	10.4	6.0	10.4	6.6	6.8
90.0	4.0	9.0	4.6	9.0	5.2	5.4
95.0	2.8	7.8	3.4	7.8	4.0	4.2
100.0		6.6	2.4	6.6	2.8	3.2
105.0		5.6		5.6		2.2
110.0		4.8		4.8		
115.0		4.0		4.0		
120.0				3.2		
125.0				2.6		
130.0				1.8		
LMB- CODE						

LIFTING CAPACITIES: LATTICE EXTENSION

LIFTING CAPACITIES FOR U S A
 LENGTH in (feet), LIFTING CAPACITIES in 1000 lbs
 SLEWING RANGE 360°
 COUNTERWEIGHT 9,300 lbs.
 OUTRIGGER BASE 28' 2" X 26' 11"

Length Offset	33 ft. 16°	33 ft. 16°	33 ft. 16°	33 ft. 16°	33 ft. 16°	33 ft. 16°
1.Tel.	1.0	0.0	1.0	0.0	1.00	1.0
2.Tel.	0.25	0.75	0.5	1.0	0.75	1.0
3.Tel.	0.25	0.75	0.5	1.0	0.75	1.0
4.Tel.						
RADIUS	BOOM-L 98.5	BOOM-L 98.5	BOOM-L 116.0	BOOM-L 116.0	BOOM-L 133.4	BOOM-L 150.9
25.0	21.0	20.6				
30.0	19.6	19.2	19.8	19.2	19.6	
35.0	18.4	18.2	18.8	18.2	18.6	
40.0	17.4	17.0	17.8	17.4	17.8	17.4
45.0	16.4	16.2	17.0	16.6	17.0	16.8
50.0	15.6	15.0	16.2	15.8	16.4	16.2
55.0	14.8	14.2	15.4	15.0	15.6	15.6
60.0	14.0	13.4	14.6	14.2	14.8	14.8
65.0	13.0	12.8	13.6	13.4	14.0	14.2
70.0	12.4	12.4	13.0	13.0	13.6	13.6
75.0	10.0	12.0	10.8	12.6	11.2	11.6
80.0	8.2	11.4	8.8	12.0	9.2	9.6
85.0	6.4	11.0	7.0	11.2	7.6	8.0
90.0	5.0	9.6	5.6	9.6	6.2	6.4
95.0	3.6	8.2	4.2	8.4	4.8	5.2
100.0	2.4	7.0	3.0	7.2	3.6	4.0
105.0		6.0	2.0	6.2	2.6	3.0
110.0		5.0		5.2		2.0
115.0		4.2		4.2		
120.0				3.4		
125.0				2.8		
130.0				2.0		
LMB- CODE						

LIFTING CAPACITIES: LATTICE EXTENSION

LIFTING CAPACITIES FOR U S A
 LENGTH in (feet), LIFTING CAPACITIES in 1000 lbs
 SLEWING RANGE 360°
 COUNTERWEIGHT 9,300 lbs.
 OUTRIGGER BASE 28' 2" X 26' 11"

Length Offset	33 ft. 30°	33 ft. 30°	33 ft. 30°	33 ft. 30°	33 ft. 30°	33 ft. 30°
1.Tel.	1.0	0.0	1.0	0.0	1.00	1.0
2.Tel.	0.25	0.75	0.5	1.0	0.75	1.0
3.Tel.	0.25	0.75	0.5	1.0	0.75	1.0
4.Tel.						
RADIUS	BOOM-L 98.5	BOOM-L 98.5	BOOM-L 116.0	BOOM-L 116.0	BOOM-L 133.4	BOOM-L 150.9
30.0	15.2	14.4				
35.0	14.4	14.2	14.4	14.2		
40.0	13.8	13.6	14.0	13.6	14.0	13.6
45.0	13.2	13.2	13.4	13.2	13.6	13.4
50.0	12.8	12.8	13.0	12.8	13.2	13.0
55.0	12.4	12.4	12.6	12.4	12.8	12.8
60.0	12.0	12.0	12.4	12.2	12.6	12.4
65.0	11.6	11.4	12.0	11.8	12.2	12.2
70.0	11.2	11.2	11.6	11.6	11.8	12.0
75.0	11.0	10.8	11.4	11.2	11.6	11.6
80.0	8.8	10.6	9.6	11.0	10.2	10.6
85.0	7.0	10.4	7.8	10.6	8.4	8.8
90.0	5.4	10.0	6.2	10.2	6.8	7.2
95.0	4.0	8.6	4.8	8.8	5.4	5.8
100.0	2.8	7.2	3.6	7.6	4.2	4.6
105.0			2.4	6.4	3.0	3.6
110.0				5.4	2.0	2.6
115.0				4.4		
LMB- CODE						

LIFTING CAPACITIES: LATTICE EXTENSION

LIFTING CAPACITIES FOR U S A
LENGTH in (feet), LIFTING CAPACITIES in 1000 lbs
SLEWING RANGE 360°
COUNTERWEIGHT 9,300 lbs.
OUTRIGGER BASE 28' 2" X 26' 11"

Length Offset	53 ft. 0°	53 ft. 0°	53 ft. 0°	53 ft. 0°	53 ft. 0°	53 ft. 0°
1.Tel.	1.0	0.0	1.0	0.0	1.00	1.0
2.Tel.	0.25	0.75	0.5	1.0	0.75	1.0
3.Tel.	0.25	0.75	0.5	1.0	0.75	1.0
4.Tel.						
RADIUS	BOOM-L 98.5	BOOM-L 98.5	BOOM-L 116.0	BOOM-L 116.0	BOOM-L 133.4	BOOM-L 150.9
20.0	15.4	15.4				
25.0	15.4	15.4	15.4			
30.0	15.4	15.4	15.4	15.2	14.6	
35.0	15.4	15.4	15.4	15.0	14.4	13.4
40.0	15.2	14.4	15.4	14.4	14.0	13.2
45.0	13.8	13.4	14.2	13.6	13.8	12.8
50.0	12.8	12.6	13.2	12.8	13.4	12.4
55.0	12.0	11.8	12.6	12.2	12.6	12.2
60.0	11.2	11.0	11.8	11.6	12.0	11.8
65.0	10.6	10.4	11.2	11.0	11.4	11.4
70.0	10.0	9.8	10.6	10.4	11.0	11.0
75.0	9.6	9.4	10.2	10.0	10.6	10.6
80.0	9.0	8.8	9.4	9.4	9.6	9.6
85.0	7.6	8.4	7.8	9.0	8.0	8.0
90.0	6.2	8.0	6.4	8.6	6.6	6.8
95.0	5.0	7.8	5.2	8.2	5.4	5.6
100.0	3.8	7.4	4.0	7.8	4.2	4.4
105.0	2.8	7.0	3.0	6.8	3.2	3.4
110.0	2.0	6.0	2.2	5.8	2.4	2.6
115.0		5.2		5.0		
120.0		4.6		4.4		
125.0		3.8		3.6		
130.0		3.2		3.0		
135.0		2.6		2.4		
140.0				2.0		
LMB- CODE						

LIFTING CAPACITIES: LATTICE EXTENSION

LIFTING CAPACITIES FOR U S A
LENGTH in (feet), LIFTING CAPACITIES in 1000 lbs
SLEWING RANGE 360°
COUNTERWEIGHT 9,300 lbs.
OUTRIGGER BASE 28' 2" X 26' 11"

Length Offset	53 ft. 16°	53 ft. 16°	53 ft. 16°	53 ft. 16°	53 ft. 16°	53 ft. 16°
1.Tel.	1.0	0.0	1.0	0.0	1.00	1.0
2.Tel.	0.25	0.75	0.5	1.0	0.75	1.0
3.Tel.	0.25	0.75	0.5	1.0	0.75	1.0
4.Tel.						
RADIUS	BOOM-L 98.5	BOOM-L 98.5	BOOM-L 116.0	BOOM-L 116.0	BOOM-L 133.4	BOOM-L 150.9
35.0	11.6	11.4				
40.0	11.0	10.8	11.2	10.8	11.0	
45.0	10.4	10.2	10.6	10.4	10.6	
50.0	9.8	9.8	10.0	10.0	10.2	10.0
55.0	9.4	9.2	9.6	9.4	9.8	9.8
60.0	9.0	8.8	9.2	9.2	9.4	9.4
65.0	8.6	8.4	8.8	8.8	9.0	9.0
70.0	8.2	8.2	8.6	8.4	8.8	8.8
75.0	7.8	7.8	8.2	8.0	8.4	8.6
80.0	7.6	7.4	7.8	7.8	8.2	8.2
85.0	7.2	7.2	7.6	7.6	7.8	8.0
90.0	7.0	7.0	7.4	7.2	7.6	7.8
95.0	6.4	6.8	6.6	7.0	7.0	7.2
100.0	5.2	6.6	5.4	6.8	5.8	6.0
105.0	4.0	6.4	4.4	6.6	4.6	4.8
110.0	3.0	6.2	3.4	6.6	3.6	3.8
115.0	2.0	5.8	2.4	5.8	2.8	3.0
120.0		5.0		5.0	2.0	2.2
125.0		4.2		4.2		
130.0		3.6		3.6		
135.0		2.8		3.0		
140.0				2.4		
LMB- CODE						

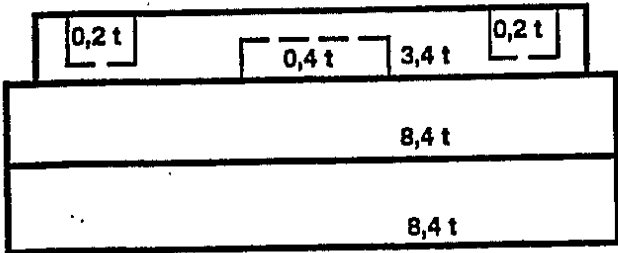
LIFTING CAPACITIES: LATTICE EXTENSION

LIFTING CAPACITIES FOR U S A
 LENGTH in (feet), LIFTING CAPACITIES in 1000 lbs
 SLEWING RANGE 360°
 COUNTERWEIGHT 9,300 lbs.
 OUTRIGGER BASE 28' 2" X 26' 11"

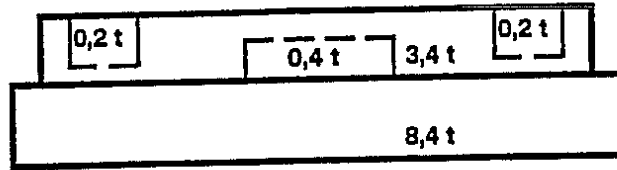
Length Offset	53 ft. 30°	53 ft. 30°	53 ft. 30°	53 ft. 30°	53 ft. 30°	53 ft. 30°
1.Tel.	1.0	0.0	1.0	0.0	1.00	1.0
2.Tel.	0.25	0.75	0.5	1.0	0.75	1.0
3.Tel.	0.25	0.75	0.5	1.0	0.75	1.0
4.Tel.						
RADIUS	BOOM-L 98.5	BOOM-L 98.5	BOOM-L 116.0	BOOM-L 116.0	BOOM-L 133.4	BOOM-L 150.9
45.0	8.6	8.6				
50.0	8.2	8.2	8.4	8.2	8.4	
55.0	8.0	8.0	8.0	8.0	8.0	8.0
60.0	7.6	7.6	7.8	7.8	8.0	7.8
65.0	7.4	7.4	7.6	7.6	7.6	7.6
70.0	7.2	7.2	7.4	7.4	7.4	7.6
75.0	7.0	7.0	7.2	7.0	7.2	7.4
80.0	6.8	6.6	7.0	6.8	7.0	7.2
85.0	6.6	6.6	6.8	6.8	7.0	7.0
90.0	6.4	6.4	6.6	6.6	6.8	6.8
95.0	6.2	6.2	6.4	6.4	6.6	6.6
100.0	6.0	6.0	6.2	6.2	6.4	6.6
105.0	4.8	6.0	5.2	6.2	5.6	5.8
110.0	3.6	5.8	4.2	6.0	4.6	4.8
115.0	2.6	5.8	3.2	6.0	3.6	3.8
120.0		5.4	2.2	5.4	2.6	3.0
125.0				4.6		2.2
130.0				4.0		
135.0				3.2		
LMB-CODE						

tted counterweight versions:

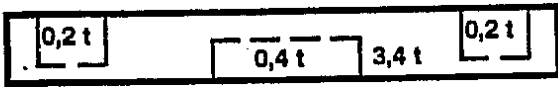
46 300 lbs (21,0t)

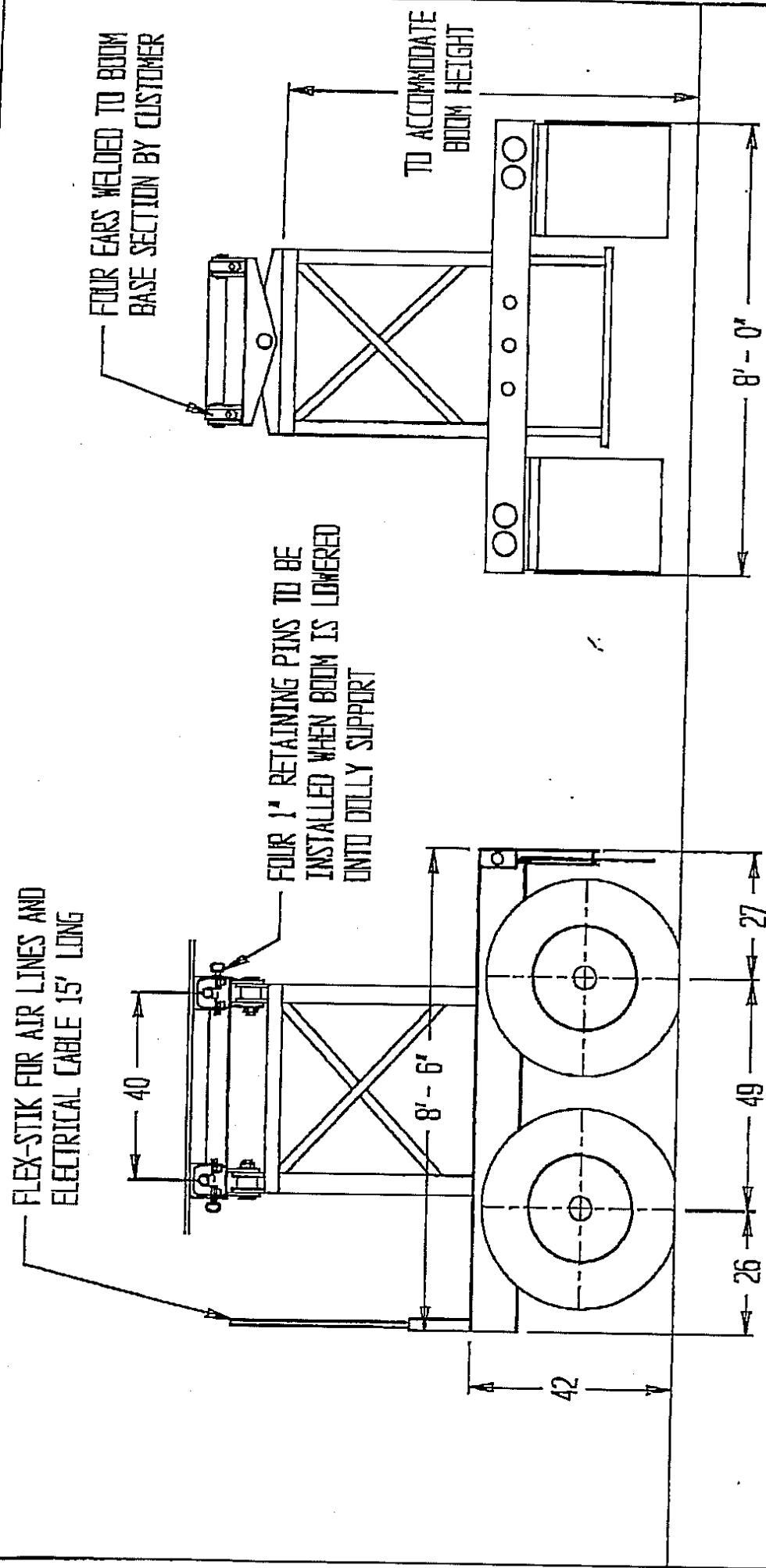


27 800 lbs (12,6t)



9 300 lbs (4,2t)





- 11 x 22.5 - 12 PLY TIRES
- STEEL DISC WHEELS
- 23,000# CAPACITY AXLES
- HITCH SPRING SUSPENSION
- 16 1/2" x 7" BRAKES
- STEMCO OIL SEALS
- TRUCK-LITE LIGHTS & WIRING SYSTEM

APPROX WEIGHT - 5,300#

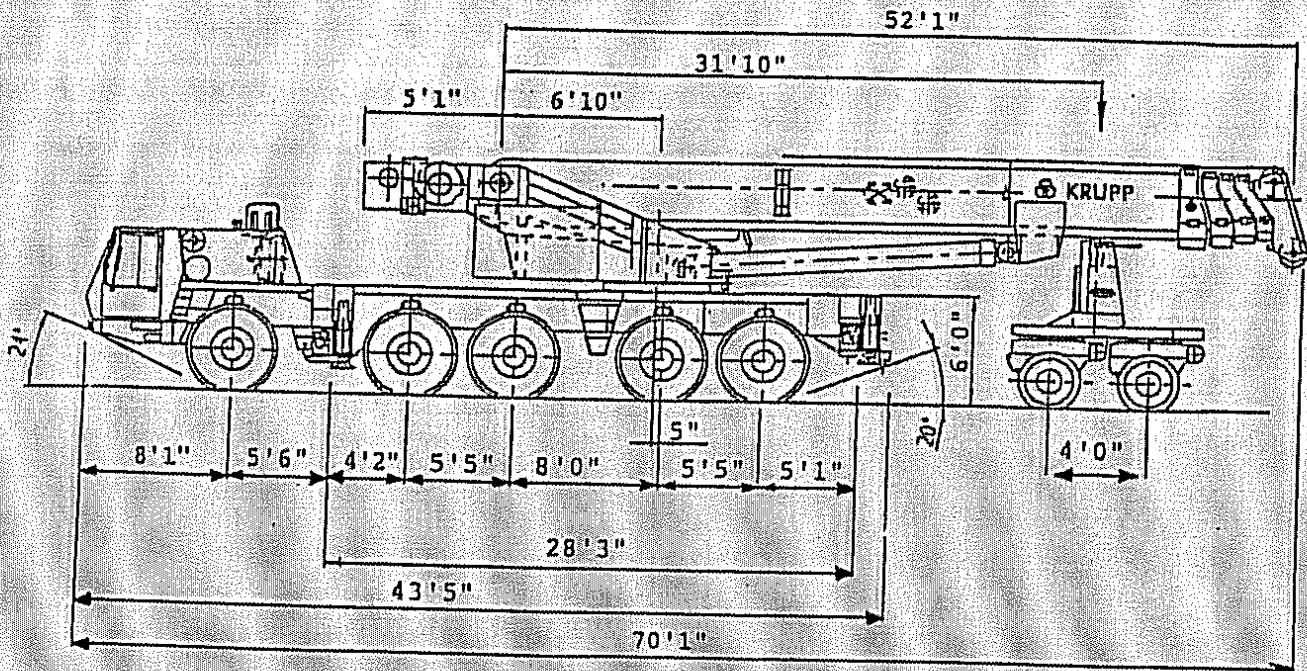
MODEL CBC-20

TANDEN AXLE CRANE BOOM DOLLY

NELSON MANUFACTURING COMPANY

DRAWN	DATE	HL. REB.	SCALE	PART NUMBER
BL	1-8-93		3/8"=1'	97010R

**KRUPP MODEL RMK-5140/140-TON CAPACITY
AXLE WEIGHTS WITH BOOM DOLLY**



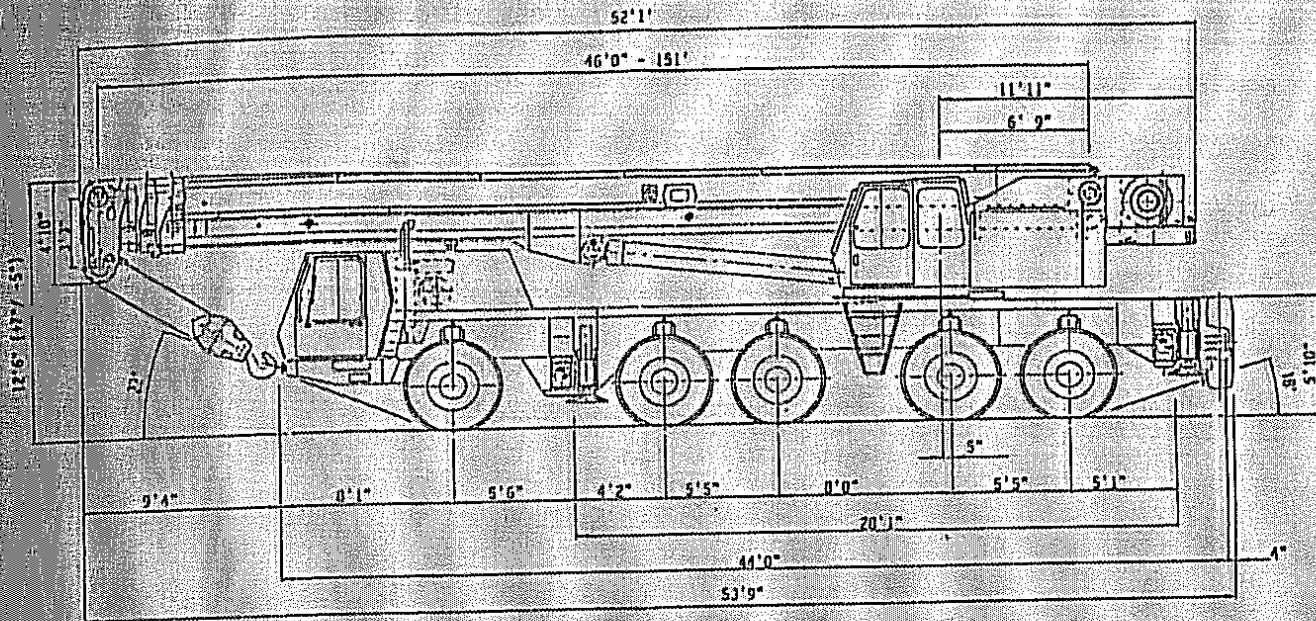
MODEL RMK-5140 EQUIPPED WITH:

10x6x10 Drive/Steer, 14.00 R25 Tires, Main Hoist with cable, Oil Cooler, 2-Axle Boom Dolly (weight of 5,000 lb) All Counterweight and Lattice Extension removed.

	<u>CRANE</u> <u>AXLES 1, 2 & 3</u>	<u>CRANE</u> <u>AXLES 4 & 5</u>	<u>DOLLY</u> <u>AXLES 6 & 7</u>	<u>TOTAL</u>
	55,150 lbs	35,500 lbs	30,500 lbs	121,150 lbs

ADD: Outrigger Floats (stowed)	+ 205	+ 370	+ 0	+ 575 lbs
ADD: 16.00R25 Tires in lieu of 14.00R25	+1,590	+1,060	+ 0	+2,650 lbs
ADD: 20.5R25 Tires in lieu of 14.00R25	+1,920	+1,280	+ 0	+3,200 lbs
ADD: 45 Ton Hook Block (on dolly)	+ 0	+ 0	+1,490	+1,490 lbs
ADD: Swingaway w/Brackets 33/53 Ft.	- 495	+ 250	+3,170	+2,925
ADD: 10x8 Drive	+ 135	+ 735	+ 0	+ 870
ADD: 10x10 Steer	+ 45	+ 145	+ 0	+ 190
REMOVE: Rear Outrigger Beams and Jacks	+2,395	-7,795	+ 0	-5,400 lbs
REMOVE: Front Outrigger Beams and Jacks	-5,165	+ 705	+ 0	-4,460 lbs

KRUPP KMK-5140/140-TON CAPACITY

AXLE WEIGHT CHARTBASIC UNIT INCLUDING:3X FRONT AXLES2X REAR AXLESTOTAL

10 x 6 x 10 Drive/Steer,
14.00 R25 Tires, Hydraulic
Oil Cooler, Main Hoist with
cable. (LESS all counter-
weight, hook blocks, outrigger
floats and lattice extension)

82,500 lbs
(3 X 27,500)

33,000 lbs
(2 X 16,500)

115,500 lbs

WEIGHTS FOR ACCESSORY EQUIPMENT:

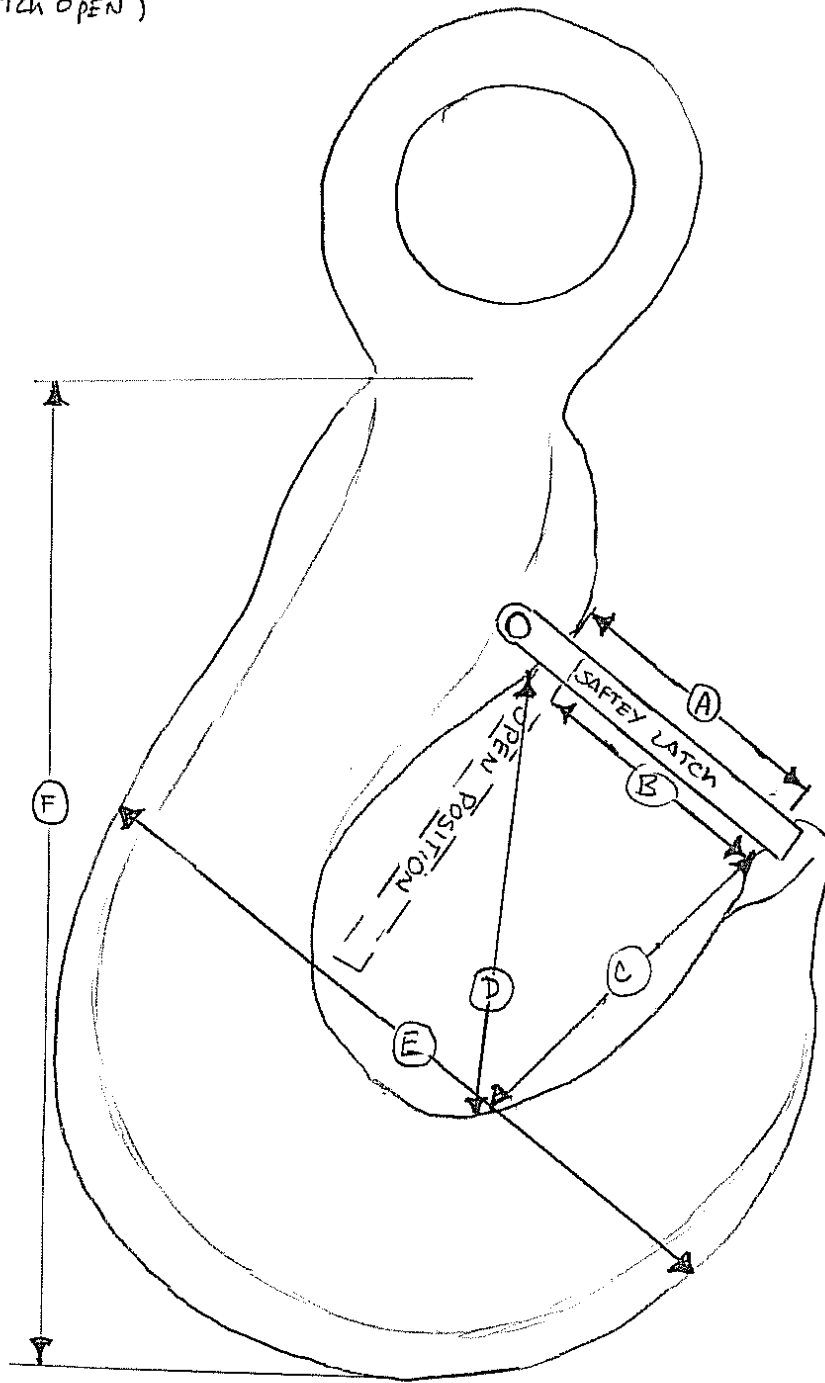
1) Outrigger Floats Stowed	+ 140	+ 260	+ 400
2) Brackets for Lattice Ext. to Stow on Base Boom	+ 460	- 110	+ 350
3) Lattice Ext. - 33/53 ft.	+3,500	- 875	+2,625
4) 10x8 Drive	+ 135	+ 735	+ 870
5) Rooster Sheave	+ 375	- 195	+ 180
6) 16.00 R25 Tires in lieu of 14.00 R25	+1,590	+1,060	+2,650
7) 20.5 R25 Tires in lieu of 14.00 R25	+1,920	+1,280	+3,200
8) Bracket for Spare Tire	- 30	+ 85	+ 55
9) Spare Tire - 14.00R25	- 300	+ 840	+ 540
10) Spare Tire - 16.00R25	- 420	+1,150	+ 730
11) Spare Tire - 20.5R25	- 490	+1,340	+ 850
12) Auxiliary Hoist	-1,500	+4,200	+2,700
13) Remove Rear Outrigger Beams/Jacks	+2,395	-7,795	-5,400
14) Remove Front Outrigger Beams/Jacks	-5,165	+ 705	-4,460

JOHNSON HOOK
1Ø392
10 TON +

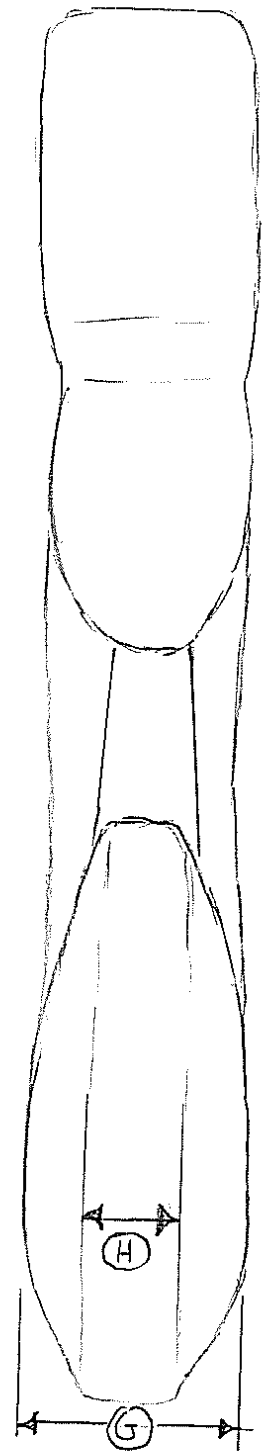
#193

HOOK FOR BALL

- A 3"
- B 2" (WITH LATCH OPEN)
- C 4 1/4"
- D 5 1/2"
- E 8 1/2"
- F 9"
- G 2 1/4"
- H 1"



SIDE VIEW



FRONT VIEW

DRAWING NOT TO SCALE