

AC10-69 Articulating Crane

Specifications

Number of Extensions	1-Hydraulic	2-Hydraulic	3-Hydraulic	4-Hydraulic	5-Hydraulic
Crane Rating*	69,400 ft-lb (9.6 tm)	69,400 ft-lb (9.6 tm)	69,400 ft-lb (9.6 tm)	69,400 ft-lb (9.6 tm)	69,400 ft-lb (9.6 tm)
Max. Horizontal Reach	19' 6" (5.94 m)	25' 5" (7.74 m)	31' 10" (9.70 m)	38' 9" (11.80 m)	45'2" (13.75 m)
Max Vertical Reach Hydraulic	31' 0" ft (9.45 m)	37' 1" ft (11.3 m)	43' 4" ft (13.2 m)	50' 2" ft (15.3 m)	56'9" ft (17.3 m)
Max. Capacity	9,480 lb (4,300 kg)	9,039 lb (4,100 kg)	8,774 lb (3,980 kg)	8,466 lb (3,840 kg)	8,140 lb (3,700 kg)
Max Capacity @ Max Reach	3,505 lb (1,590 kg)	2,491 lb (1,130 kg)	1,786 lb (810 kg)	1,301 lb (590 kg)	957 lb (435 kg)
Crane Weight**	2,706 lb (1,230 kg)	2,937lb (1,335 kg)	3,146 lb (1,430 kg)	3,020 lb (1,520 kg)	3,498 lb (1590 kg)

*Crane rating (ft-lb) is the rated load (lb) x the respective distance (ft) from centerline of rotation with all extensions retracted and the inner and outer booms in a horizontal position, per ANSI B30.22.

**Crane weight does not include outrigger

Specifications

Outrigger Foot Diameter	6.30" (160 mm)	Optimum Pump Capacity	6.6 gpm (25 L/min)
Crane Storage Height	86" (2,170 mm)	System Pressure	4,210 psi (290 bar)
Mounting Space***	25.20" (640 mm)	Outrigger Extension Span	
Rotational Torque	10,767 ft-lb (1460 daNm)	Standard (manual out, hydraulic down)	11' 11" (3.63 m)
Rotation	405°	Weight	330 lb (150 kg)
Oil Reserve Capacity	15.9 gal (60 L)		

***Allow an additional 10" between the cab and crane base for swing clearance.

Minimum Chassis Specifications

Gross Vehicle Weight Rating (GVWR)	26448 lb
Resistance to Bending Moment (RBM)	419,933 in-lb

Notes

A. Weight distribution calculations are required to determine final axle loading. The use of service bodies, diesel engines, or longer wheelbase, can increase the minimum chassis requirements. Please contact Auto Crane for details.

B. GAWR (Gross Axle Weight Rating) is the total weight of the vehicle including the (chassis, driveline, occupants, cargo, etc.) that is allowed by the manufacturer requirements, for the vehicle to go down the road safely. This is a critical factor in purchasing a truck for the crane application. All chassis and crane applications must be tested by engineering and the final assembler to ensure stability per ANSI B30.22.

System Characteristics

Rotation System

Our Articulating Cranes utilize a rack and pinion rotation system which provides high torque for demanding applications. The column turns on bushings made of an advanced composite material for long service life. The rotation cylinders are protected by a load holding valve and flow controls to ensure safe and precise operation.

Cylinder Holding Valves

Flanged load holding valves on hydraulic cylinders provide smooth load control and load holding. In the event of a hose failure, they lock the cylinder in place to prevent uncontrolled crane movement or falling loads.

Hydraulic Overload System

Providing the Hydraulic Overload protection are main relief and port relief valves, as well as counterbalance valves.

Hydraulic System

The hydraulic system is open-center as standard. Included on the crane is a hydraulic oil reservoir, return line filter, high-pressure filter(1), and control valve with dual-side controls(2). An optional closed-center valve is available on request.

Exceptions

- (1) Cranes with manual controls do not have high pressure filter
- (2) Cranes with radio controls do not have dual-side controls

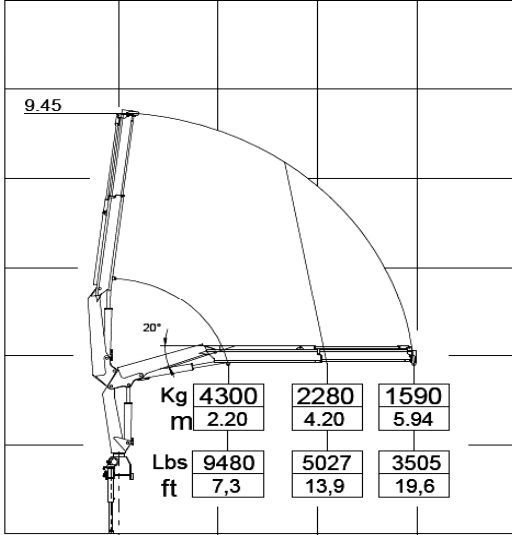


4707 N. Mingo Road
Tulsa, OK 74117
918-836-0463
www.autocrane.com

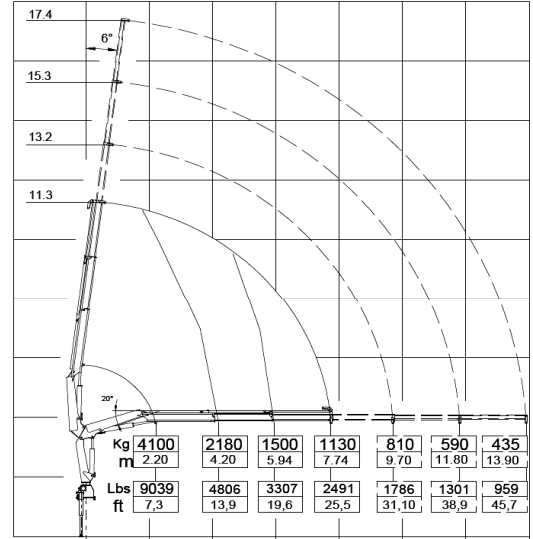
AC10-69 Articulating Crane

Capacity Charts

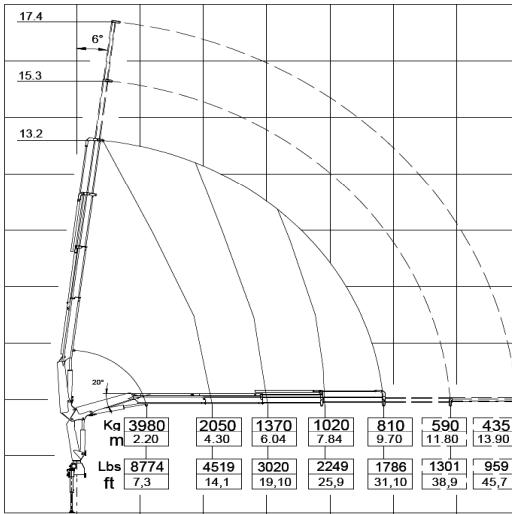
AC10-69 1 Hydraulic Extension



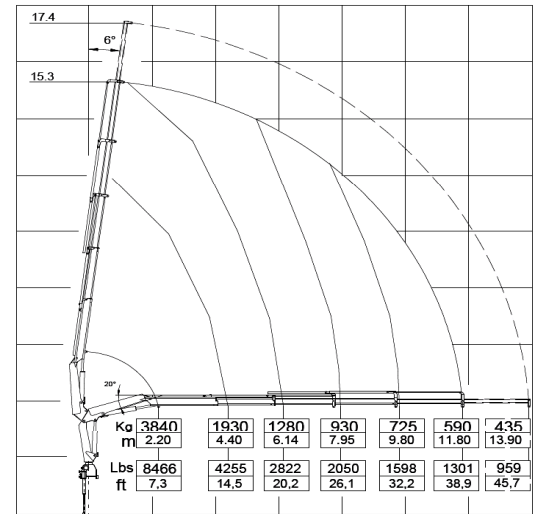
AC10-69 2 Hydraulic Extension



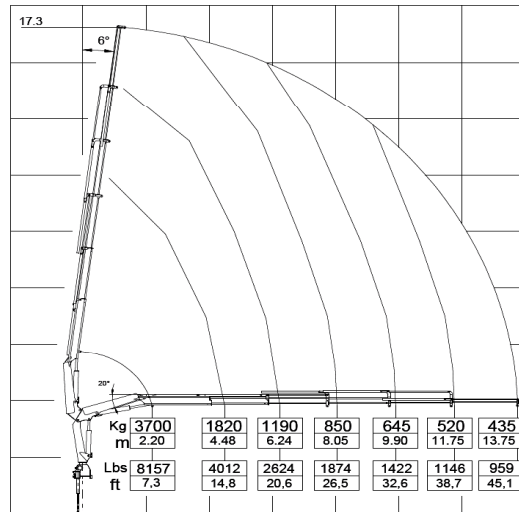
AC10-69 3 Hydraulic Extension



AC10-69 4 Hydraulic Extension



AC10-69 5 Hydraulic Extension

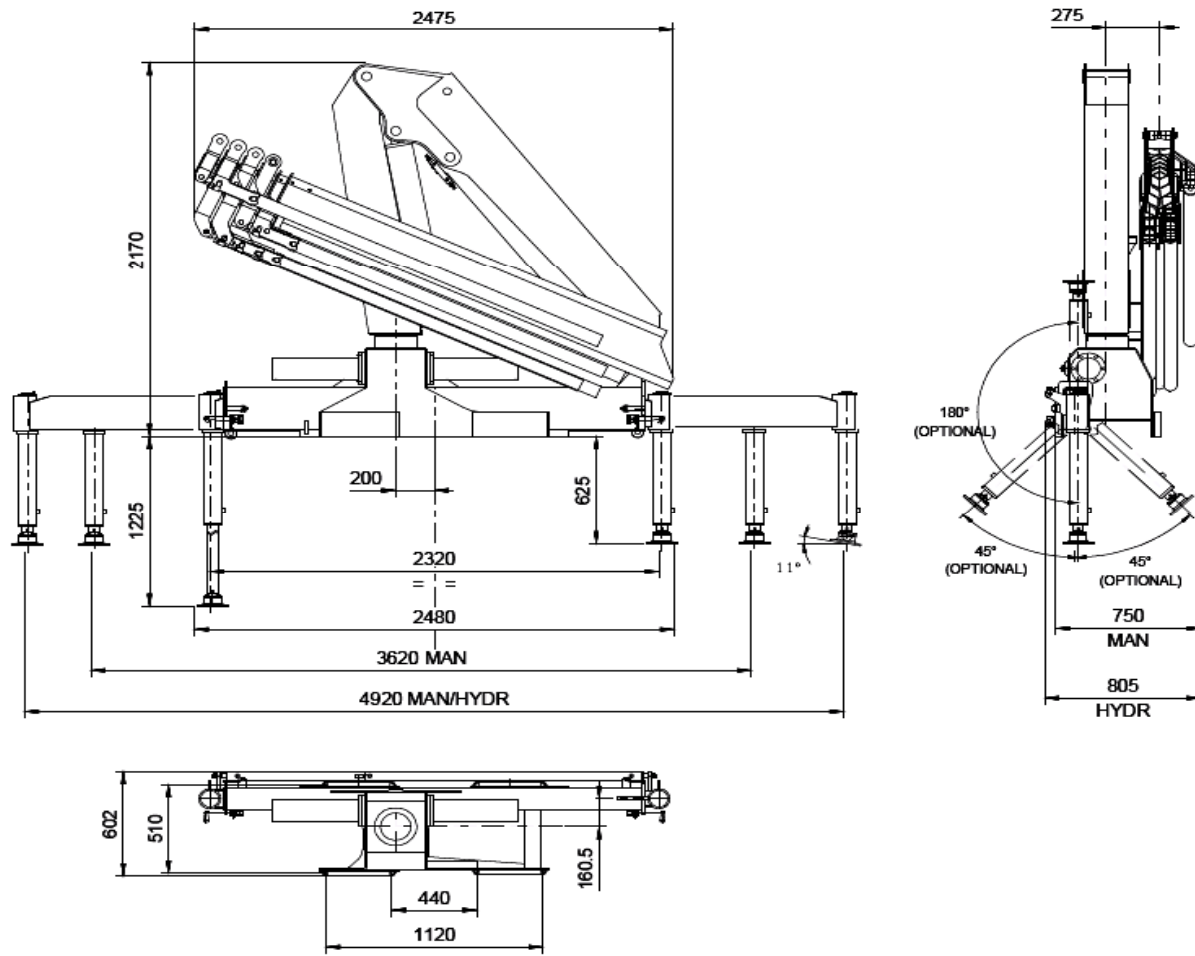


4707 N. Mingo Road
Tulsa, OK 74117
918-836-0463
www.autocrane.com

AC10-69 Articulating Crane

Geometric Configurations (Dimensions)

AC10-69 5 Hydraulic Extensions (mm)



Special Features (on select models)



4707 N. Mingo Road
Tulsa, OK 74117
918-836-0463
www.autocrane.com