

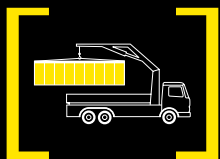
PK 5001

Performance

PALFINGER CRANE



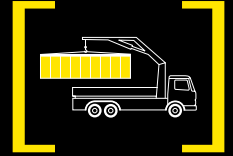
ENGINEERED TO PERFORM



INNOVATIVE TECHNOLOGY DELIVERS GREATER PERFORMANCE

The ideal ratio of lifting capacity to net weight, combined with PALFINGER's state of the art technology makes the PK 5001 *Performance* a star in its class. The HPLS enables precision and versatility on the job.

The PK 5001 *Performance* transforms a truck into a multi-purpose vehicle and provides the best solution for any transport or loading problem.



Return oil utilisation

The impressive operating speed of the extension system is a result of return oil utilisation. It is installed as standard, along with generously dimensioned hydraulic lines. This enables optimal cycle times in any type of job application!



Internally routed oil passages

The internally routed oil passages contribute to the compact extension system design and minimize damage due to exposure.

Advanced Package

- Electronic HPLS
- Radio remote control
- PALTRONIC 50 overload protection system
- Oil cooler
- External 75 l hydraulic oil tank



Hose equipment for auxiliary equipment

Hoses providing oil supply for auxiliary equipment are routed in compact trays and protective chains. A clean design offering maximum service life.



Central lubrication

For all bearings on the base frame.

THE PERFECT SIZED CRANE FOR A SMALL TRUCK



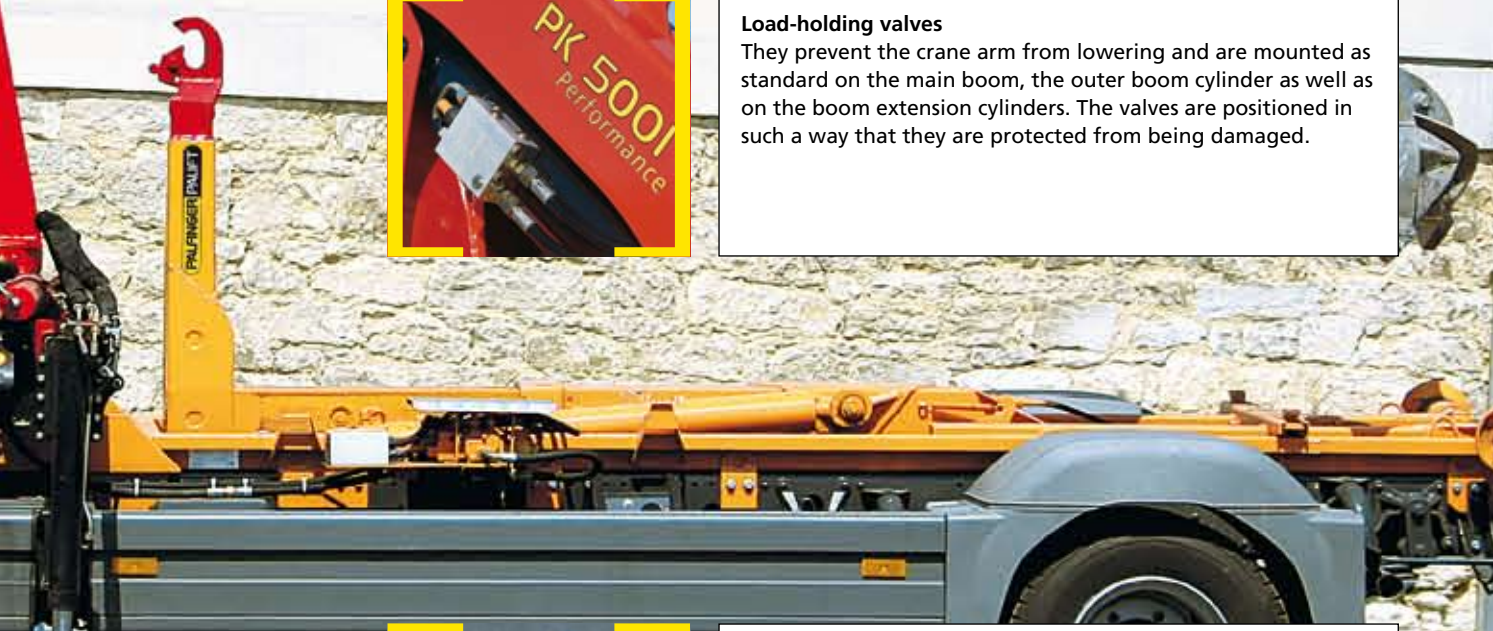
Extension Boom System

- The extension boom cylinders are guided on Jordal rails over guide blocks
- Optimal height compensation of the extension cylinders



Load-holding valves

They prevent the crane arm from lowering and are mounted as standard on the main boom, the outer boom cylinder as well as on the boom extension cylinders. The valves are positioned in such a way that they are protected from being damaged.



Large outrigger widths

The PK 5001 *Performance* fits on all standard truck chassis designs. Three outrigger widths are possible: 2,9 m (mechanical), 4,4 m (mechanical) and 5,0 m (hydraulic).



KTL – the cathodic dip painting

The shot-blasted crane parts are covered in zinc phosphate in an immersion process and coated electro-statically. The subsequent two-component top coating of paint provides a surface protection which in the past was usually only found in the automotive industry.

ROBUST AND LIGHT WEIGHT

Max. lifting capacities

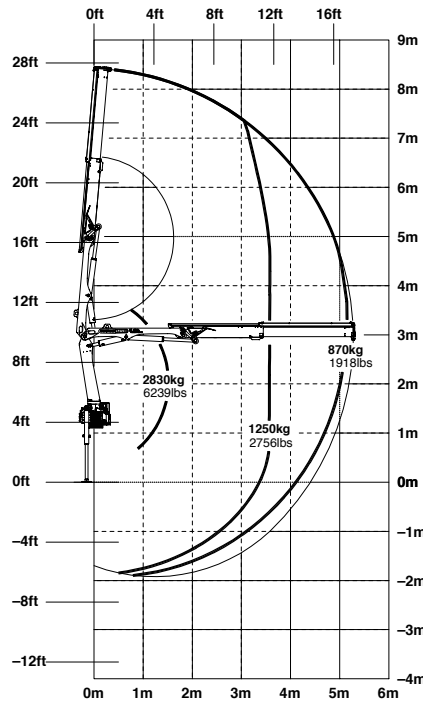
PK 5001 Performance		
Max. lifting capacities:		
2830 kg/6240 lbs		
Outreach	Capacity	
hydraulic		
3.6 m 11' 10"	1250 kg/2760 lbs	
5.1 m 16' 9"	870 kg/1920 lbs	

PK 5001 A Performance		
Max. lifting capacities:		
2730 kg/6020 lbs		
Outreach	Capacity	
hydraulic		
3.6 m 11' 10"	1200 kg/2650 lbs	
5.1 m 16' 9"	820 kg/1810 lbs	
7.1 m 23' 4"	590 kg/1300 lbs	

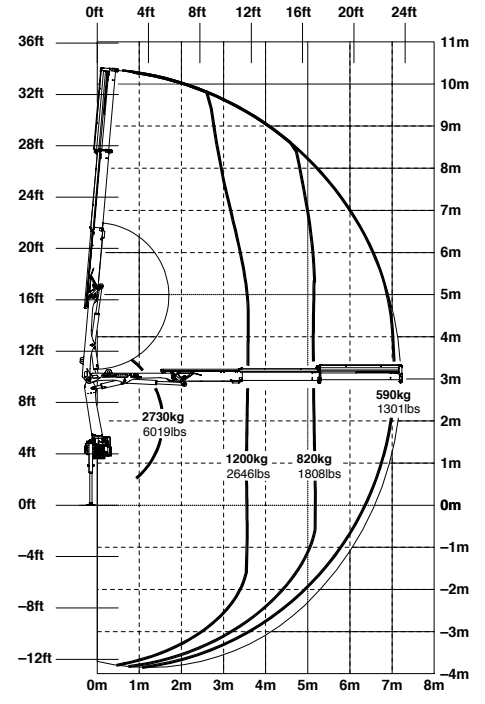
PK 5001 B Performance		
Max. lifting capacities:		
2650 kg/5840 lbs		
Outreach	Capacity	
hydraulic		
3.6 m 11' 10"	1160 kg/2560 lbs	
5.1 m 16' 9"	770 kg/1700 lbs	
7.1 m 23' 4"	530 kg/1170 lbs	
9.0 m 29' 6"	410 kg/ 900 lbs	
manual		
11.0 m 36' 1"	310 kg/ 680 lbs	
12.6 m 41' 4"	220 kg/ 490 lbs	

PK 5001 C Performance		
Max. lifting capacities:		
2600 kg/5730 lbs		
Outreach	Capacity	
hydraulic		
3.6 m 11' 10"	1130 kg/2490 lbs	
5.1 m 16' 9"	730 kg/1610 lbs	
7.1 m 23' 4"	490 kg/1080 lbs	
9.0 m 29' 6"	360 kg/ 790 lbs	
10.9 m 35' 9"	290 kg/ 640 lbs	
manual		
12.5 m 41' 0"	220 kg/ 490 lbs	

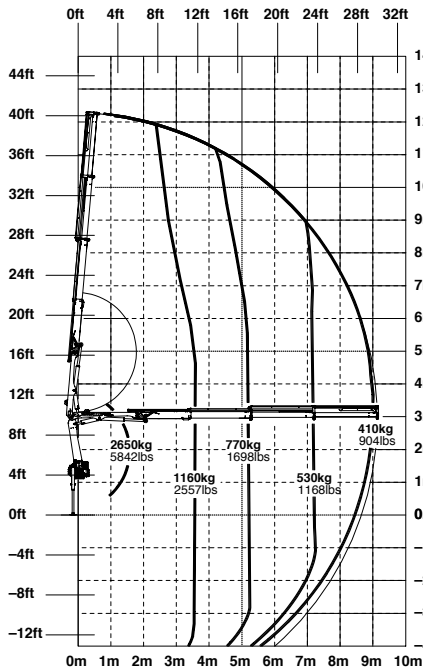
PK 5001 Performance



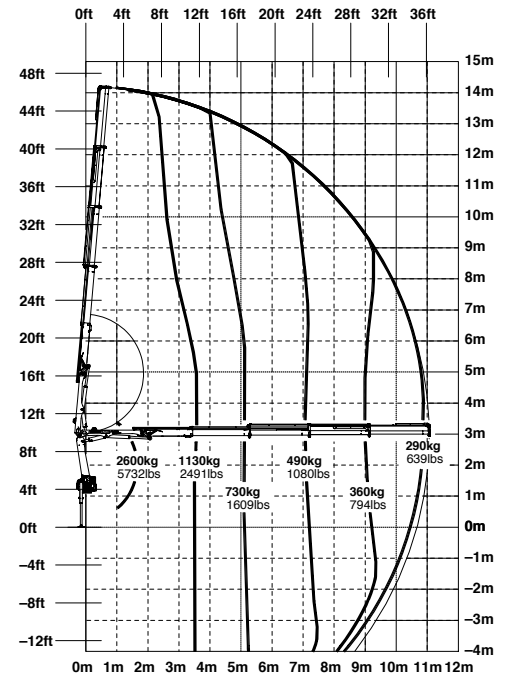
A



B

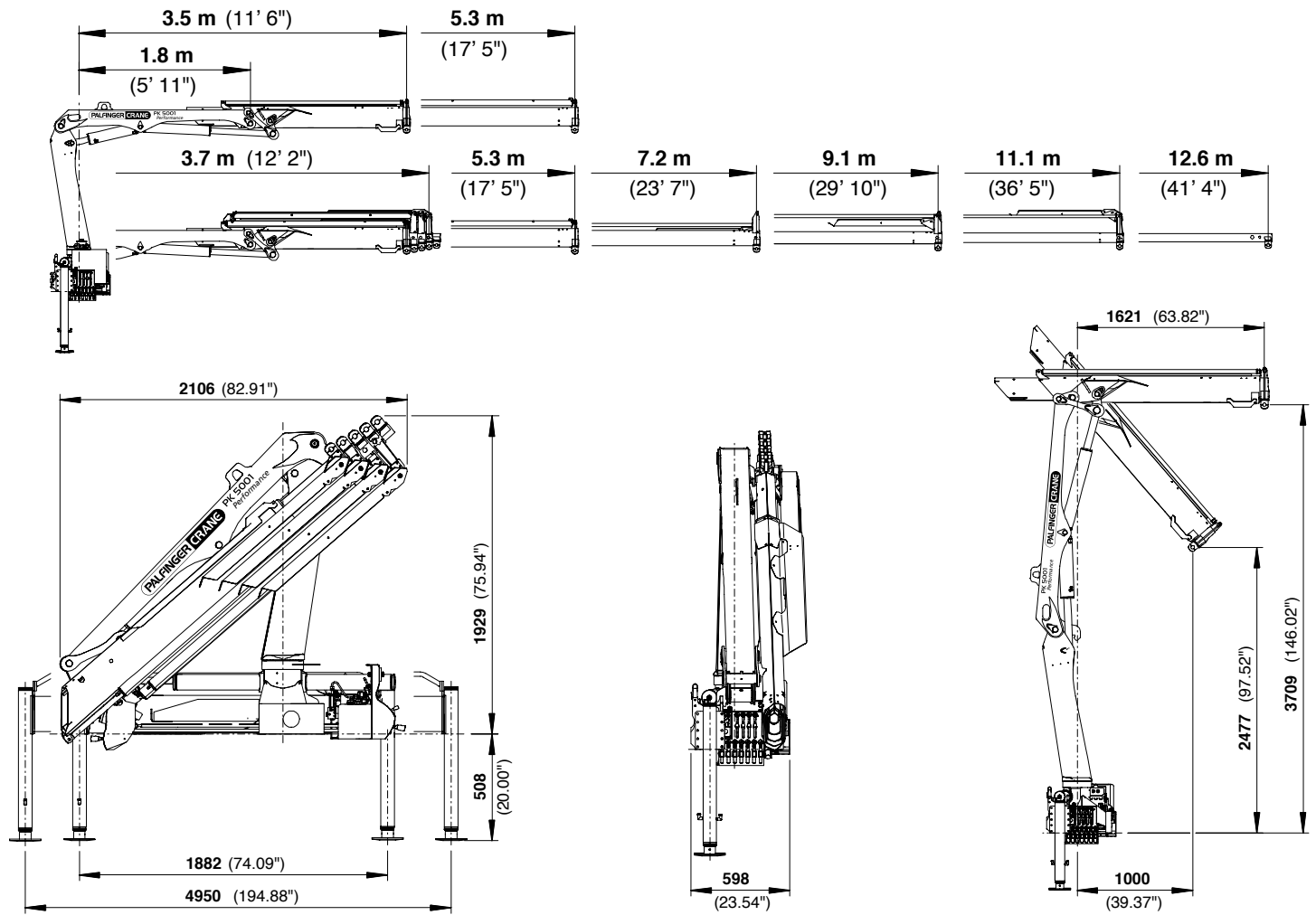


C



The outreaches stated are with a boom angle of 20° and are therefore not the maximum.

INNOVATIVE TECHNOLOGY



PK 5001 Performance		
Technical Specifications (EN 12999 H1-B3)		
Max. lifting moment	4.5 mt/44.1 kNm	32510 ft.lbs
Max. lifting capacity	2830 kg/27,8 kN	6240 lbs
Max. hydraulic outreach	11.1 m	36' 5"
Max. manual outreach	12.7 m	41' 8"
Slewing angle	400°	

PK 5001 Performance		
Standard crane		
Slewing torque	0.50 mt/5.2 kNm	3830 ft.lbs
Outreach	5.3 m	17' 5"
Stabilizer spread standard	2.9 m	9' 6"
Stabilizer spread max.	5.0 m	16' 3"
Fitting space required	0.60 m	1' 12"
Width folded	2.1 m	6' 11"
Max. operating pressure	330 bar	4785 psi
Recommended pump capacity with RC- and LS-system	40 l/min	8.8 imp.gal./min 10.6 US gal./min
Dead weight standard crane	684 kg	1510 lbs

Applications shown in the leaflet do not always correspond to the standard specifications. Design and specification are subject to change without prior notice.



Country-specific regulations must be considered for the crane installation.

www.palfinger.com

KP-PK5001M1+E, 01/08